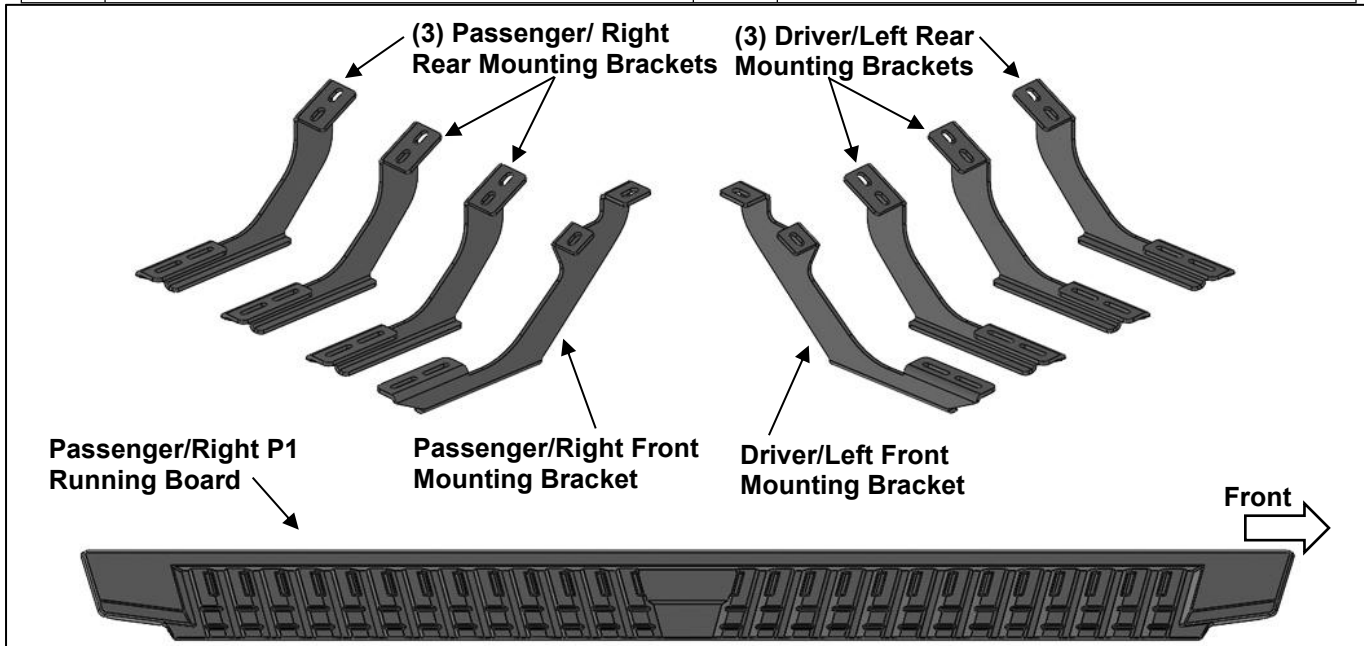


**PARTS LIST:**

1	Driver/Left P1 Running Board	16	8mm lock Washers
1	Passenger/Right P1 Running Board	16	8mm x 24mm OD x 2mm Flat Washers
1	Driver/Left Front Mounting Bracket	8	6mm Double Bolt Plates
1	Passenger/Right Front Mounting Bracket	16	6mm x 22mm OD x 2mm Flat Washers
3	Driver/Left Rear Mounting Brackets	16	6mm Lock Washers
3	Passenger/Right Rear Mounting Brackets	16	6mm Hex Nuts
16	8mm x 30mm Hex Bolts		

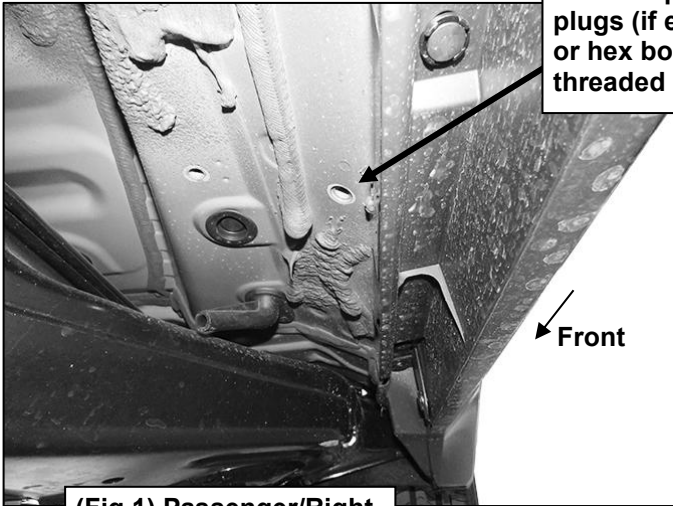


**PROCEDURE:**

- 1. REMOVE CONTENTS FROM BOX. VERIFY ALL PARTS ARE PRESENT. READ INSTRUCTIONS CAREFULLY. ASSISTANCE IS HIGHLY RECOMMENDED.**
- Starting on the Passenger/Right side of the vehicle and remove the plastic plugs or hex bolts from the factory mounting location along the bottom of the body, **(Figures 1 & 4)**.
- Select the Passenger/Right Front Mounting Bracket. Attach the Bracket to the front location with (2) 8mm Hex Bolts, (2) 8mm Lock Washers and (2) 8mm Flat Washers, **(Figures 2 & 3)**. Do not tighten hardware.
- Repeat **Steps 2 & 3** to attach the (3) Rear Mounting Brackets, **(Figures 4 & 5)**.
- Select the Passenger/Right P1 Running Board. Select (4) 6mm Bolt Plates. Insert the Bolt Plates into the channel in the bottom of the Running Board, **(Figure 6)**.
- Lift the Running Board onto the (4) Mounting Brackets and line up the Bolt Plates into the slots. Attach the Running Board to the Mounting Brackets with (8) 6mm Flat Washers, (8) 6mm Lock Washers and (8) 6mm Hex Nuts, **(Figure 7)**. Do not tighten hardware.
- Level and adjust the Running Board and tighten all hardware.
- Repeat **Steps 2—7** to attach the Driver/Left P1 Running Board.
- Do periodic inspections to the installation to make sure that all hardware is secure and tight.

**To protect your investment,** Do not use any type of polish or wax that may contain abrasives that could damage the finish. Use only mild soap to clean the Running Boards.

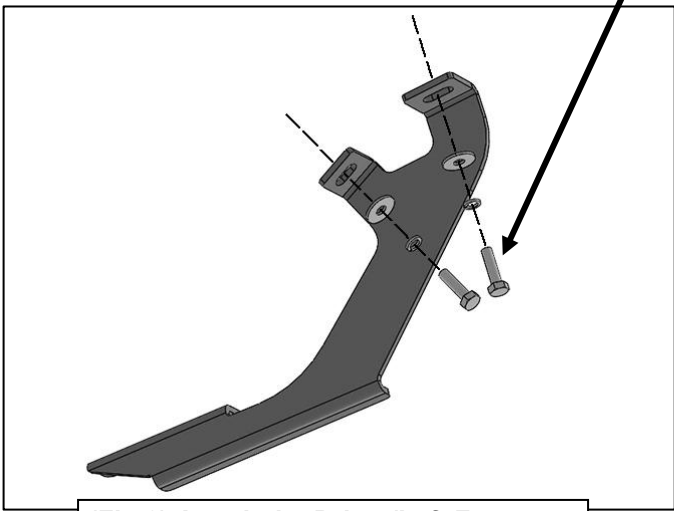
**Passenger/Right Side Installation Pictured**



Remove plastic plugs (if equipped) or hex bolts from threaded holes

**(Fig 1) Passenger/Right front mounting location**

- (2) 8mm Hex Bolts
- (2) 8mm Lock Washers
- (2) 8mm Flat Washers



**(Fig 2) Attach the Driver/Left Front Mounting Bracket to the front location**



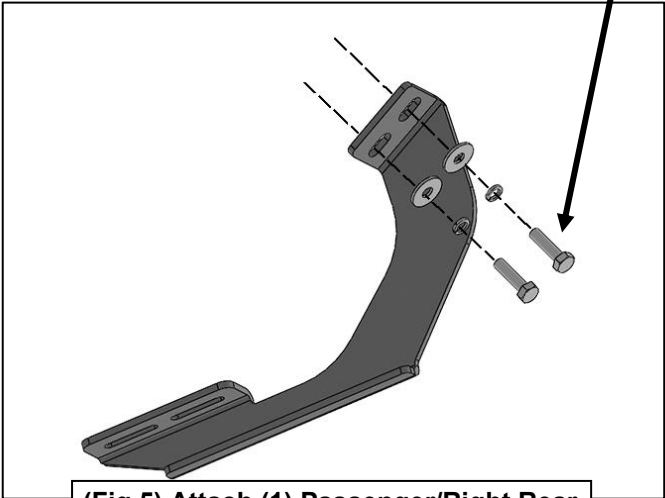
**(Fig 3) Passenger/Right Front Mounting Bracket attached to the front location**

**Passenger/Right Side Installation Pictured**

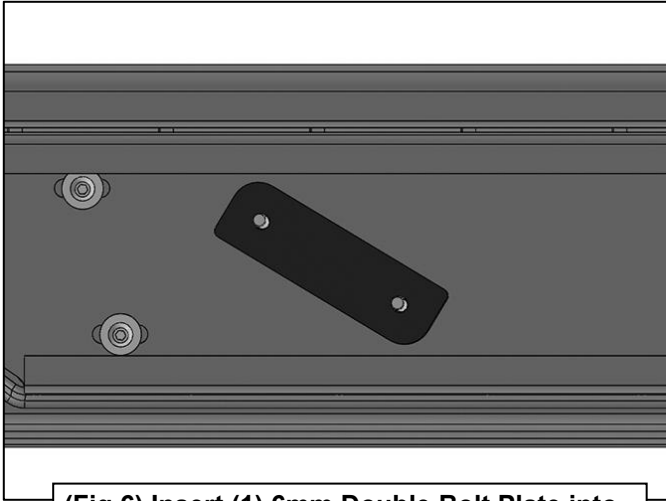


**(Fig 4) Driver/Left center (2nd) location**

- (2) 8mm Hex Bolts
- (2) 8mm Lock Washers
- (2) 8mm Flat Washers

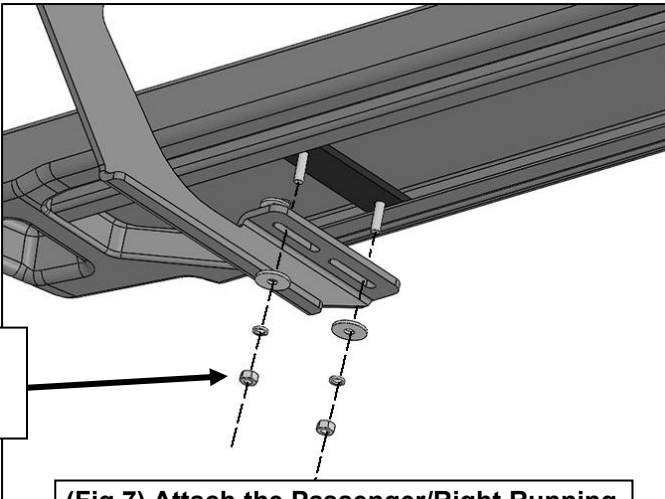


**(Fig 5) Attach (1) Passenger/Right Rear Mounting Bracket to the 2nd location**



**(Fig 6) Insert (1) 6mm Double Bolt Plate into channel on the bottom of the Running Board**

- (2) 6mm Flat Washers
- (2) 6mm Lock Washers
- (2) 6mm Hex Nuts



**(Fig 7) Attach the Passenger/Right Running Board to the (4) Mounting Brackets**