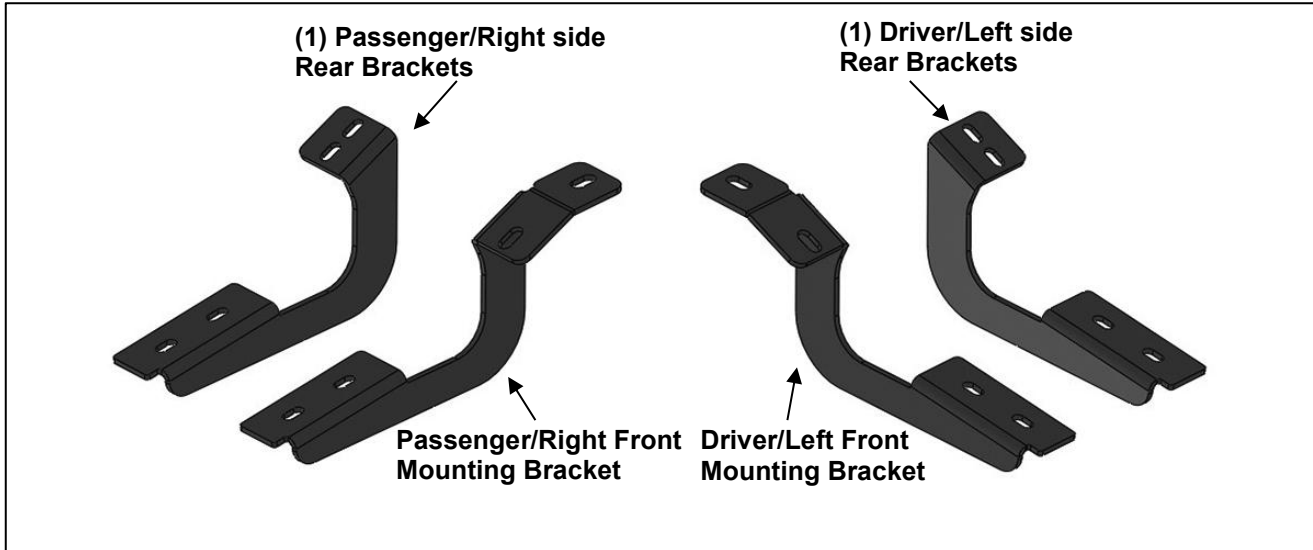


**PARTS LIST:**

2	S6 Running Boards	4	8mm x 35mm Double Bolt Plates
1	Driver/Left Side Front Mounting Bracket	8	8mm x 30mm Hex Bolts
1	Passenger/Right Side Front Mounting Bracket	8	8mm Lock Washers
1	Driver/Left Rear Mounting Bracket	16	8mm x 24mm OD x 2mm Flat Washers
1	Passenger/Right Rear Mounting Brackets	8	8mm Nylon Lock Nuts



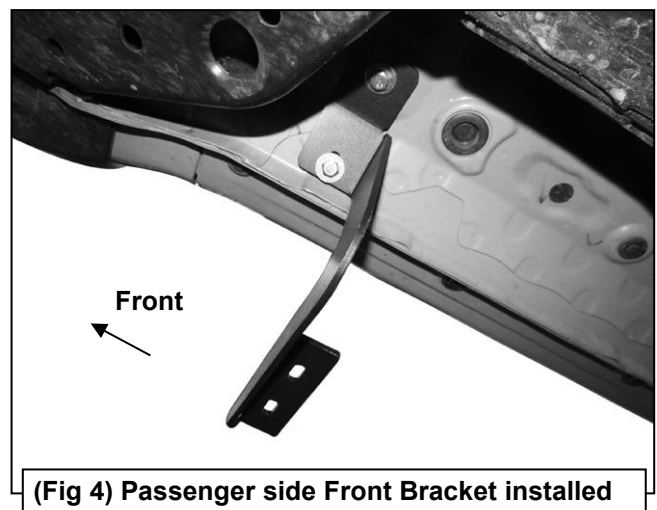
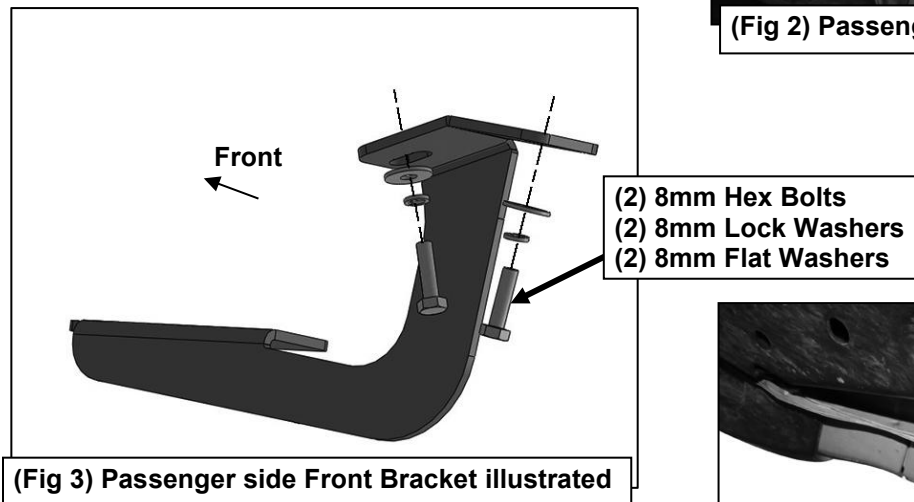
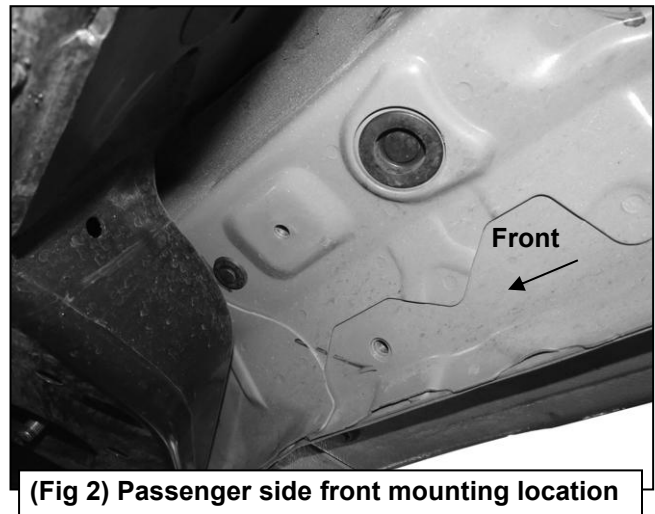
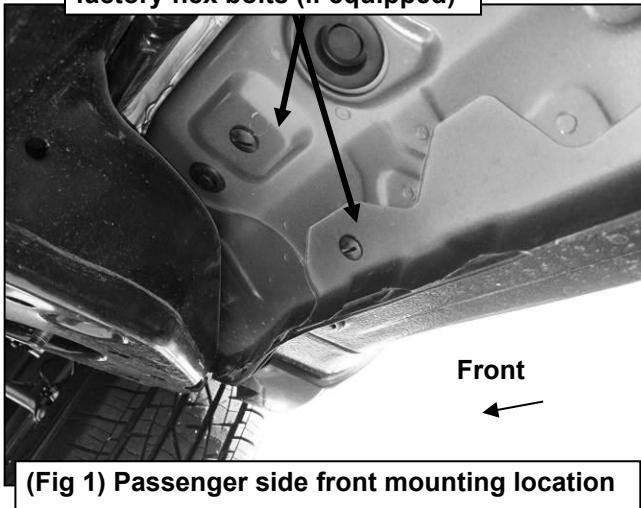
**PROCEDURE:**

- 1. REMOVE CONTENTS FROM BOX. VERIFY ALL PARTS ARE PRESENT. READ INSTRUCTIONS CAREFULLY. USE ILLUSTRATION TO PROPERLY IDENTIFY BRACKETS AND SIDEBARS.**
- Starting on the passenger side front of the vehicle, remove the plastic plugs or bolts covering the threaded holes in the body panel, **(Figures 1 & 2)**. Select the passenger side Front Mounting Bracket, **(Figure 3)**. Attach the Bracket to the vehicle using the included (2) 8mm Hex Bolts, (2) 8mm Lock Washers and (2) 8mm Flat Washers, **(Figure 4)**. Do not tighten hardware.
- Move along the body panel to the rear mounting location, **(Figure 5)**. Repeat **Step 2** for passenger side rear Bracket installation, **(Figure 6)**.
- Once both Brackets have been fully installed, carefully unwrap a Running Board. Place the Running Board on top of the (2) Brackets. Locate the channel in the bottom of the Running Board. Select (2) 8mm Double Bolt Plates, **(Figure 7)**. Insert the Bolt Plates into the channel in the bottom of the Running Board closest to the Brackets, **(Figure 8)**. Lift the Running Board up and guide the studs down through the Brackets. **IMPORTANT:** Do not slide the Running Board on the Brackets, (front to back or rotate), or the finish on the Running Board may be damaged.
- Attach the Running Board to the Brackets with (4) 8mm Flat Washers and (4) 8mm Nylon Lock Nuts, **(Figures 9 —10)**. Do not tighten hardware.
- Properly level and adjust the Running Board and fully tighten all hardware.
- Repeat **Steps 2—6** for Driver/left side Running Board Installation.
- Do periodic inspections to the installation to make sure that all hardware is secure and tight.

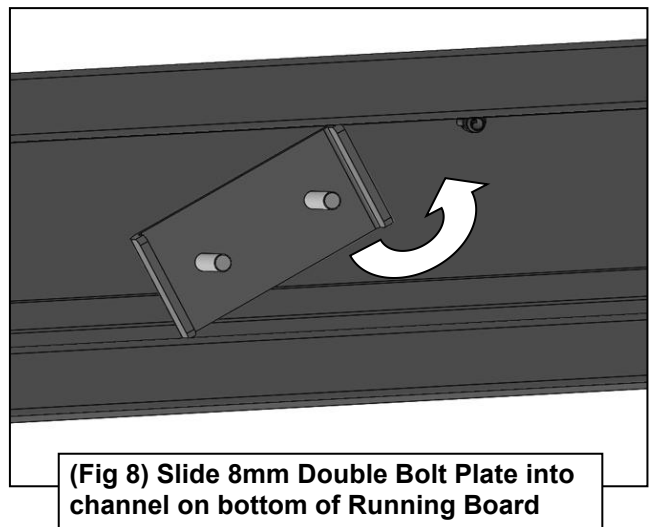
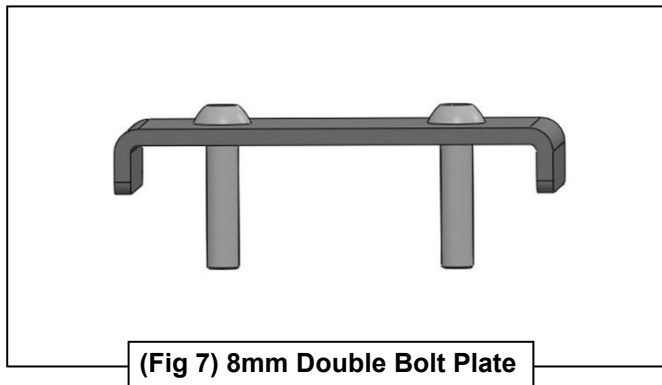
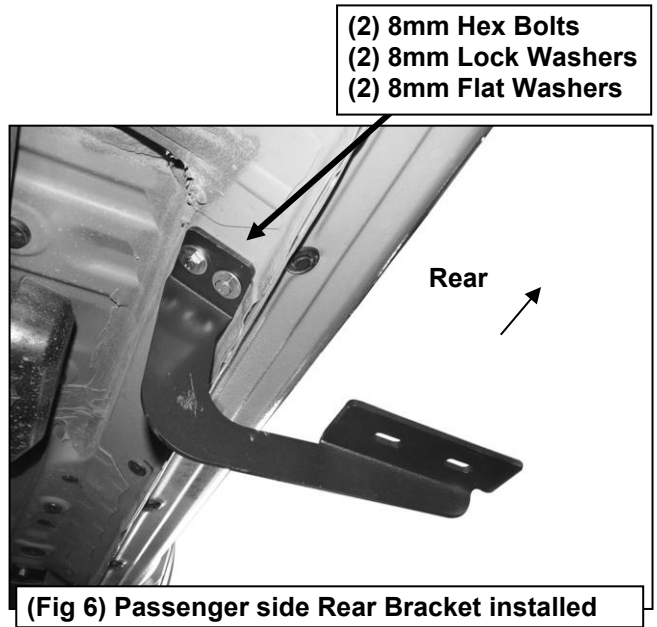
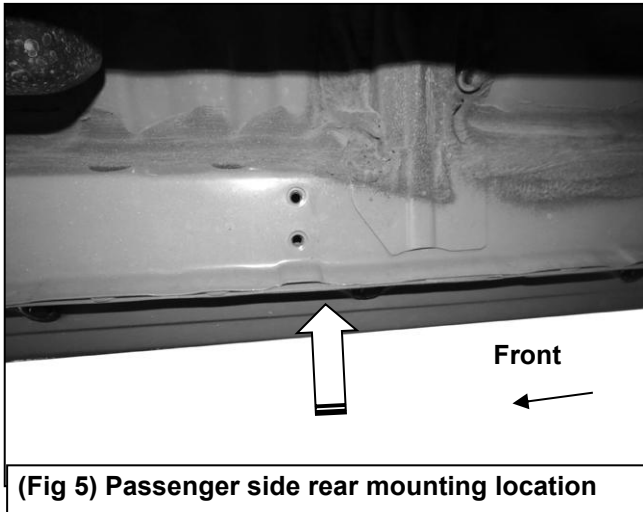
**To protect your investment**, wax this product after installing. Regular waxing is recommended to add a protective layer over the finish. Do not use any type of polish or wax that may contain abrasives that could damage the finish. Mild soap may be used also to clean the Running Board.

### Passenger/Right Side Installation Pictured

Remove plastic plugs or  
factory hex bolts (if equipped)



### Passenger/Right Side Installation Pictured



### Passenger/Right Side Installation Pictured

