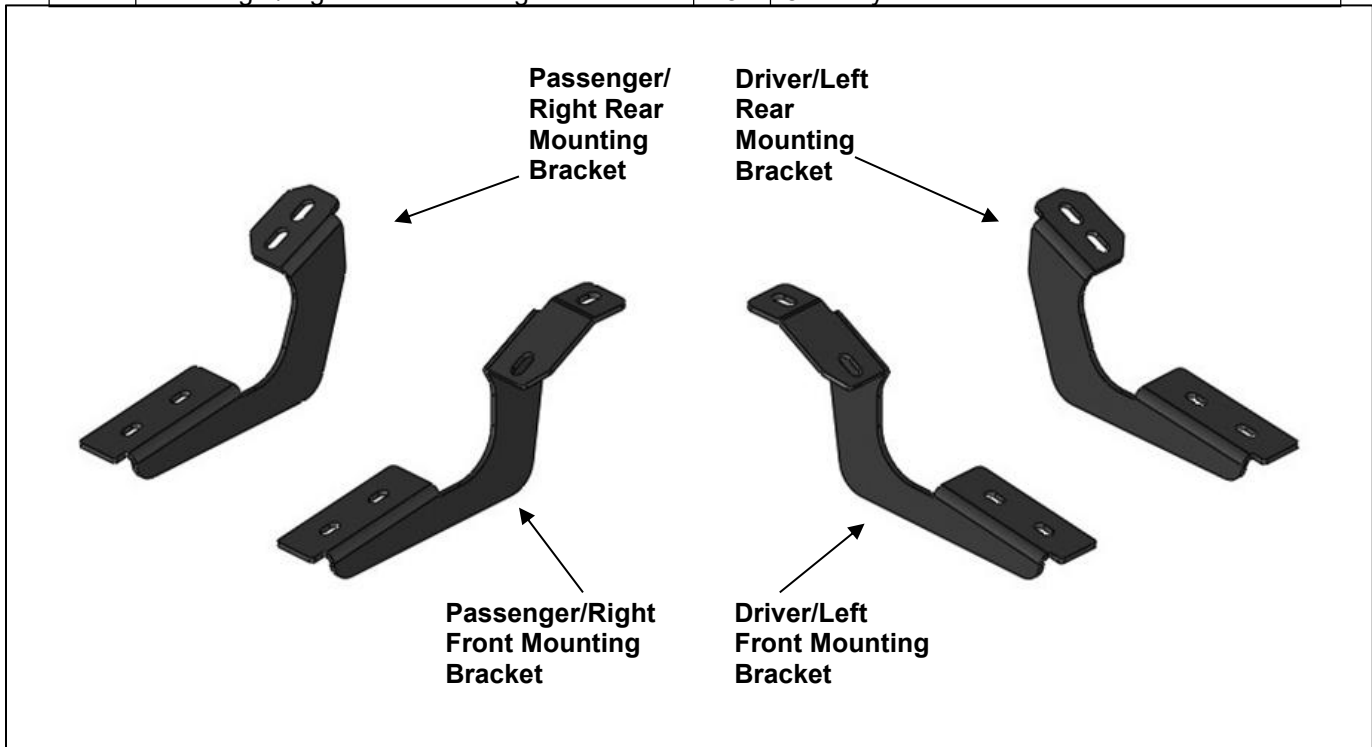


PARTS LIST:

2	S6 Running Board	4	8mm x 35mm Double Bolt Plates
1	Driver/Left Front Mounting Bracket	8	8mm x 30mm Hex Bolts
1	Passenger/Right Front Mounting Bracket	16	8mm x 24mm OD x 2mm Flat Washers
1	Driver/Left Rear Mounting Bracket	8	8mm Lock Washers
1	Passenger/Right Rear Mounting Bracket	8	8mm Nylon Lock Nuts



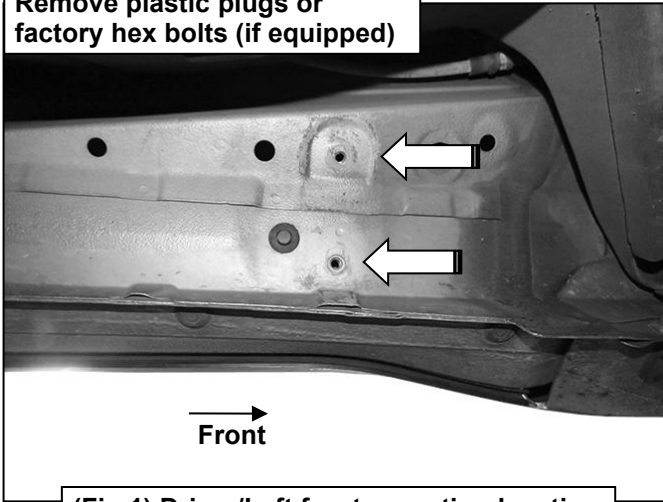
PROCEDURE:

1. REMOVE CONTENTS FROM BOX. VERIFY ALL PARTS ARE PRESENT. READ INSTRUCTIONS CAREFULLY. USE ILLUSTRATION TO IDENTIFY BRACKETS AND RUNNING BOARDS.
2. Starting on the Driver/Left front of the vehicle, remove the plastic plugs or hex bolts covering the (2) threaded holes in the floor panel, **(Figure 1)**.
3. Select Driver/Left Front Mounting Bracket, **(Figure 2)**. Attach the Bracket to the panel with (2) 8mm Hex Bolts, (2) 8mm Lock Washers and (2) 8mm Flat Washers, **(Figure 2)**. Do not tighten hardware.
4. Next, move to the Rear mounting location, **(Figure 3)**. Select (1) Driver/Left Rear Mounting Bracket. Repeat **Step 3** to attach the Bracket to the floor panel, **(Figure 4)**.
5. Select the Running Board. Select (2) Double Bolt Plates. Insert the Bolt Plates into the channel in the bottom of the Running Board closest to the Brackets, **(Figure 5)**. Lift the Running Board up and guide the studs through the Brackets.
6. Attach the Running Board to the Mounting Brackets with (4) 8mm Flat Washers and (4) 8mm Nylon Lock Nuts, **(Figure 6)**. Do not tighten hardware.
7. Level and adjust the S6 Running Board and tighten all hardware.
8. Repeat **Steps 2—7** to attach the Passenger/Right S6 Running Board.
9. Do periodic inspections to the installation to make sure that all hardware is secure and tight.

To protect your investment, Do not use any type of polish or wax that may contain abrasives that could damage the finish. Mild soap may be used to clean the Running Boards.

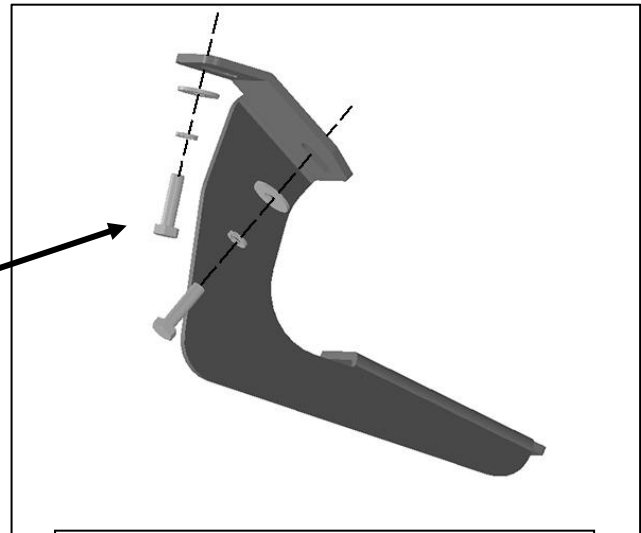
Driver/Left Side Installation Pictured

Remove plastic plugs or
factory hex bolts (if equipped)

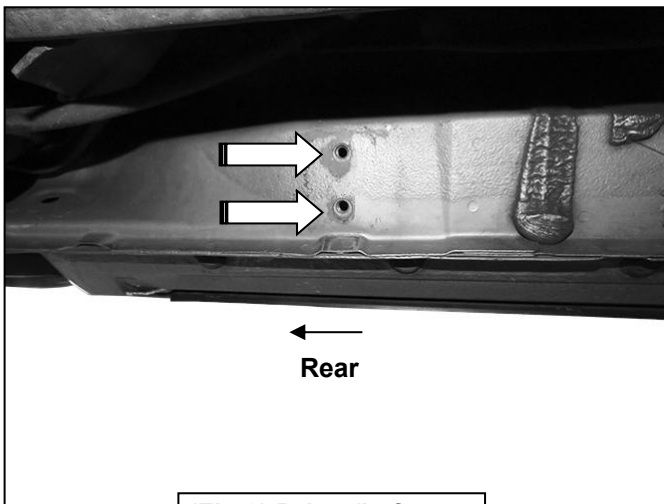


(Fig 1) Driver/Left front mounting location

(2) 8mm Hex Bolts
(2) 8mm Lock Washers
(2) 8mm Flat Washers

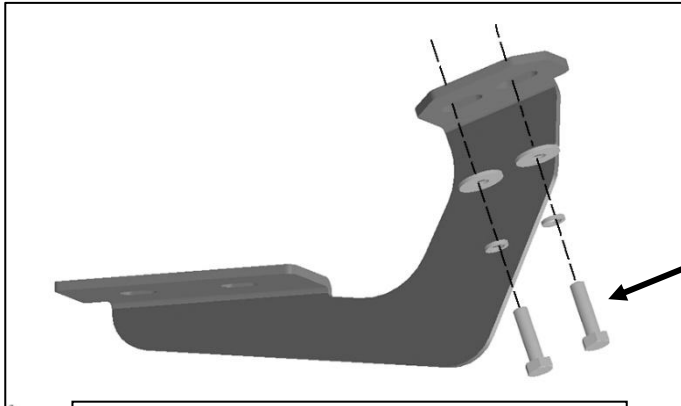


(Fig 2) Attach Driver/Left Front Mounting
Bracket to the floor panel



(Fig 3) Driver/Left rear
mounting location

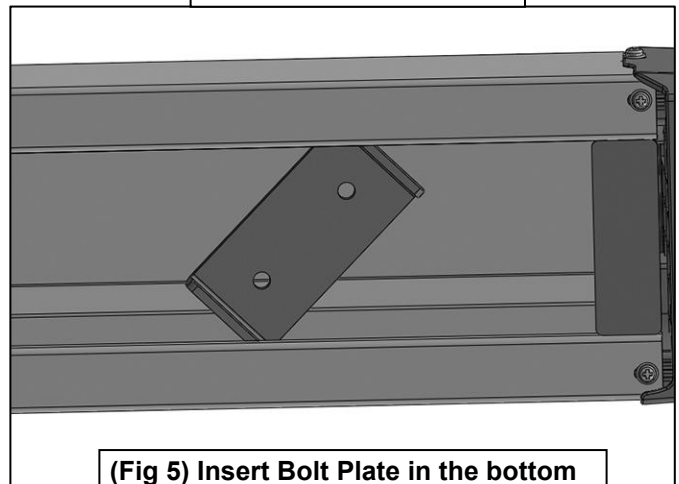
Driver/Left Side Installation Pictured



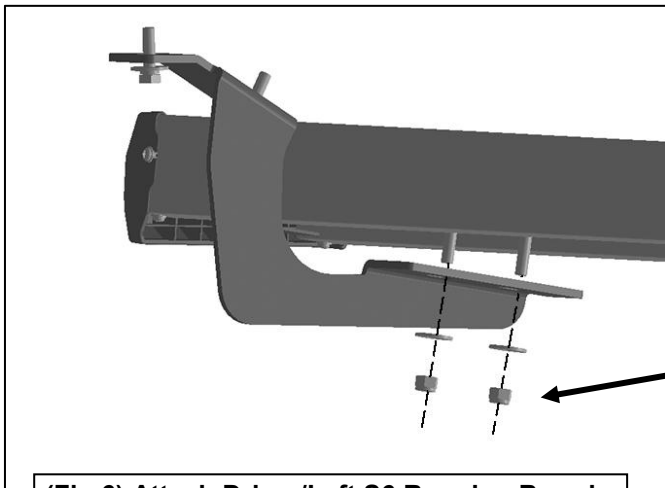
- (2) 8mm Hex Bolts
- (2) 8mm Lock Washers
- (2) 8mm Flat Washers

(Fig 4) Attach Driver/Left Rear Mounting Bracket to the floor panel

8mm Double Bolt Plates



(Fig 5) Insert Bolt Plate in the bottom of the channel on the Running Board



- (2) 8mm Flat Washers
- (2) 8mm Nylon Lock Nuts

(Fig 6) Attach Driver/Left S6 Running Board to the Mounting Brackets