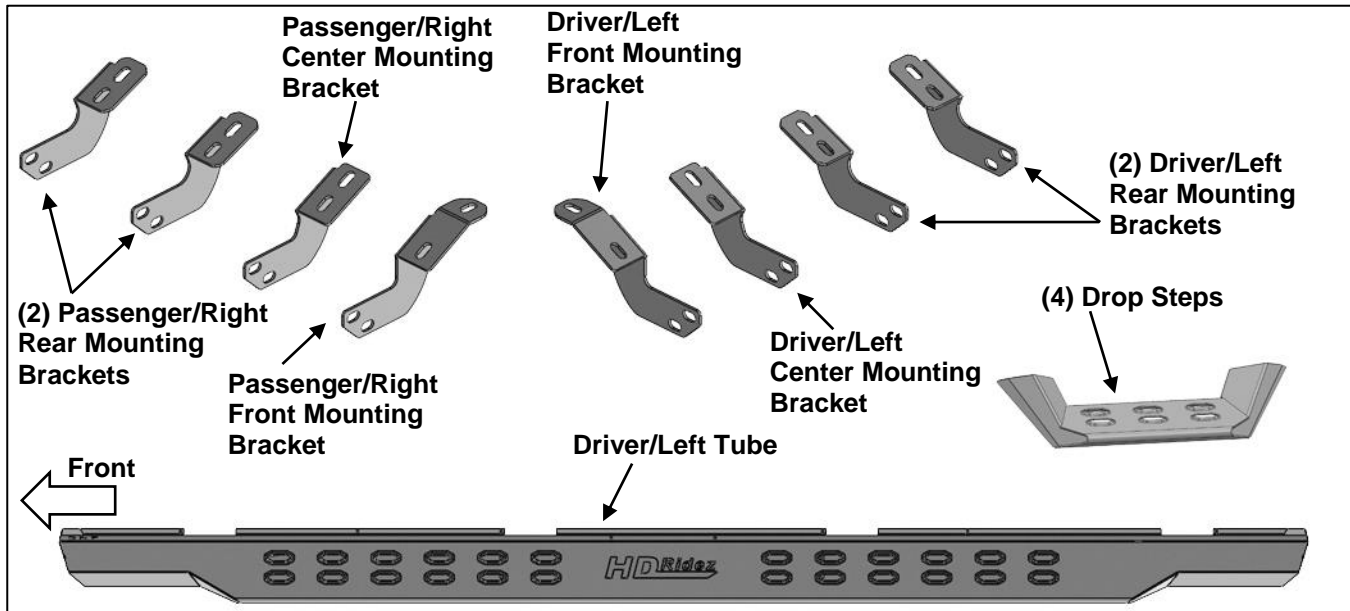


PARTS LIST:

1	Driver/Left Tube	16	10mm x 30mm Hex Bolts
1	Passenger/Right Tube	32	10mm x 20mm OD x 2mm Flat Washers
4	Drop Steps	16	10mm Nylon Lock Nuts
1	Driver/Left Front Mounting Bracket	8	8mm Triangle Double Bolt Plates
1	Passenger/Right Front Mounting Bracket	16	8mm x 30mm Hex Bolts
1	Driver/Left Center Mounting Bracket	16	8mm Lock Washers
1	Passenger/Right Center Mounting Bracket	32	8mm x 22mm OD x 2mm Flat Washers
2	Driver/Left Rear Mounting Brackets	16	8mm Nylon Lock Nuts
2	Passenger/Right Rear Mounting Brackets		

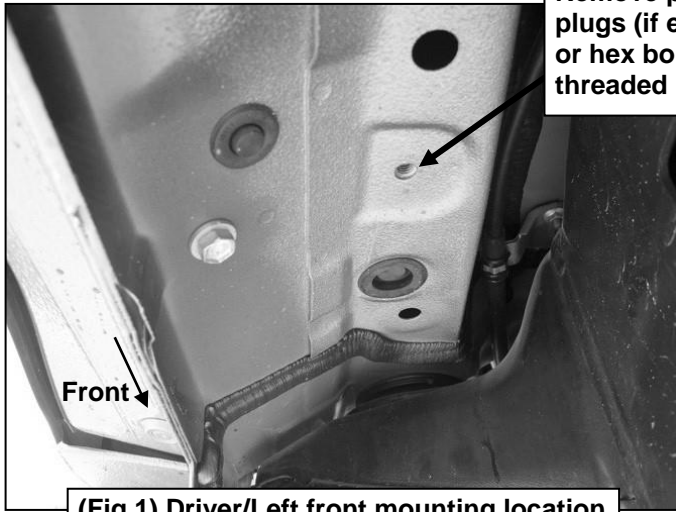


PROCEDURE:

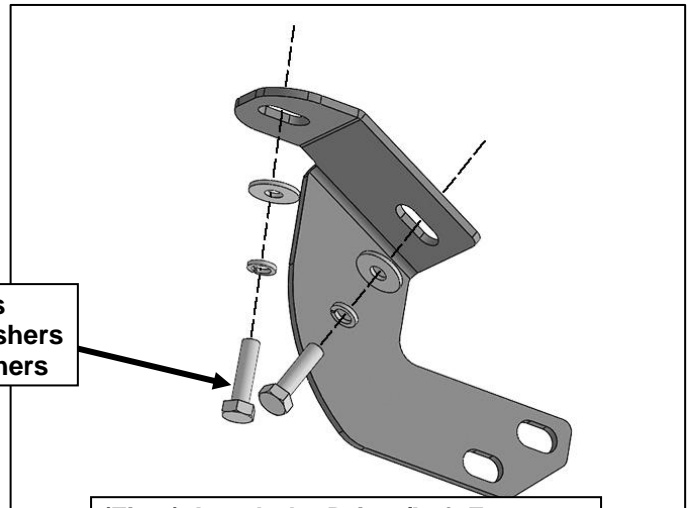
1. REMOVE CONTENTS FROM BOX. VERIFY ALL PARTS ARE PRESENT. READ INSTRUCTIONS CAREFULLY. ASSISTANCE IS HIGHLY RECOMMENDED.
2. Starting on the Driver/Left side of the vehicle and remove the plastic plugs or hex bolts from the factory mounting location along the bottom of the body, **(Figures 1 & 4)**.
3. Select the Driver/Left Front Mounting Bracket. Attach the Bracket to the front location with (2) 8mm Hex Bolts, (2) 8mm Lock Washers and (2) 8mm Flat Washers, **(Figure 2)**. Do not tighten hardware.
4. Repeat **Steps 2 & 3** to attach (1) 2nd and (2) Rear Mounting Brackets, **(Figures 3 & 4)**.
5. Select the Driver/Left Tube. Insert (2) 8mm Triangle Double Bolt Plates into the front (2) sets of (2) holes, **(Figure 5)**. Attach (1) Drop Step to the (2) Double Bolt Plates with (4) 8mm x 22mm Flat Washers and (4) 8mm Nylon Lock Nuts, **(Figure 6)**. Do not tighten hardware.
6. With assistance, line up the mounting tabs in the Driver/Left Tube to the rear faces of the Mounting Brackets. Secure the Tube to the Mounting Brackets with (8) 10mm Hex Bolts, (16) 10mm x 20mm Flat Washers and (8) 10mm Nylon Lock Nuts, **(Figure 7)**. Do not tighten hardware.
7. Level and adjust the Overland Step, then tighten all hardware.
8. Repeat **Steps 1—8** to attach the Passenger/Right Overland Step.
9. Do periodic inspections to the installation to make sure that all hardware is secure and tight.

To protect your investment, Do not use any type of polish or wax that may contain abrasives that could damage the finish. Use only mild soap to clean the Overland Sliders.

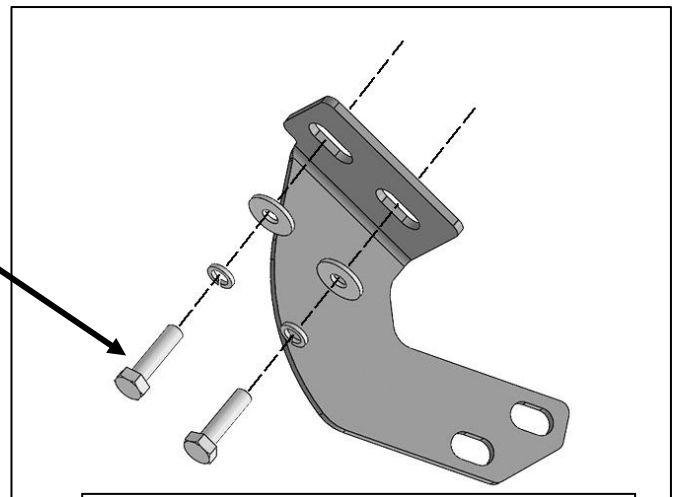
Driver/Left Side Installation Pictured



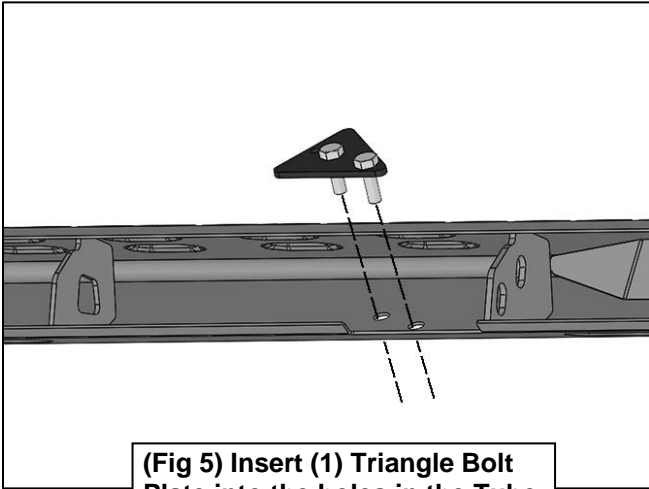
- (2) 8mm Hex Bolts
- (2) 8mm Lock Washers
- (2) 8mm Flat Washers



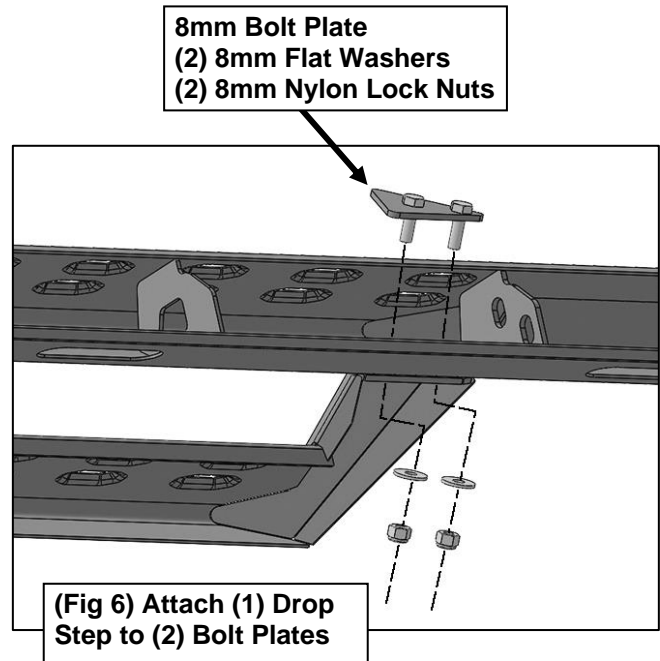
- (2) 8mm Hex Bolts
- (2) 8mm Lock Washers
- (2) 8mm Flat Washers



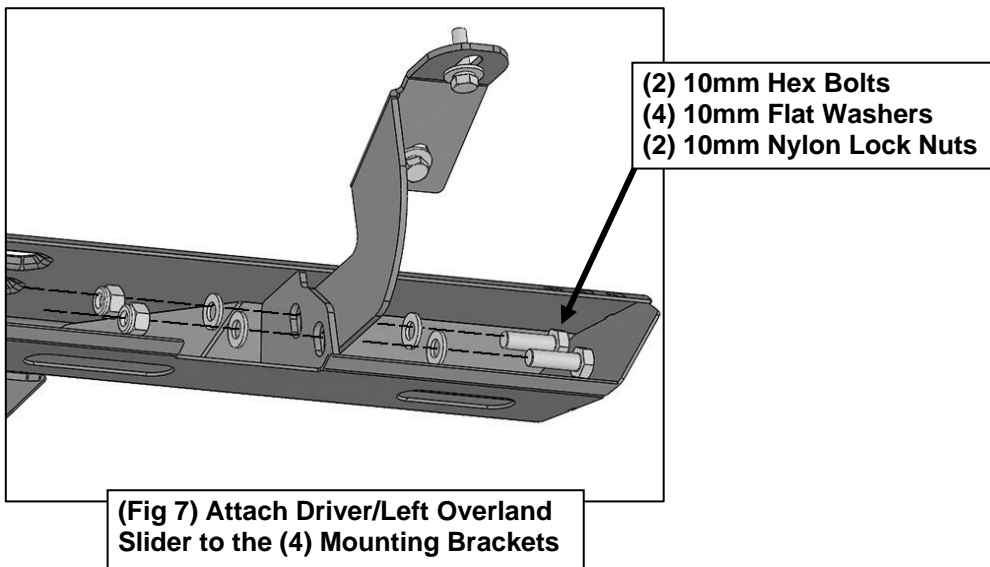
Driver/Left Side Installation Pictured



(Fig 5) Insert (1) Triangle Bolt Plate into the holes in the Tube



(Fig 6) Attach (1) Drop Step to (2) Bolt Plates



(Fig 7) Attach Driver/Left Overland Slider to the (4) Mounting Brackets