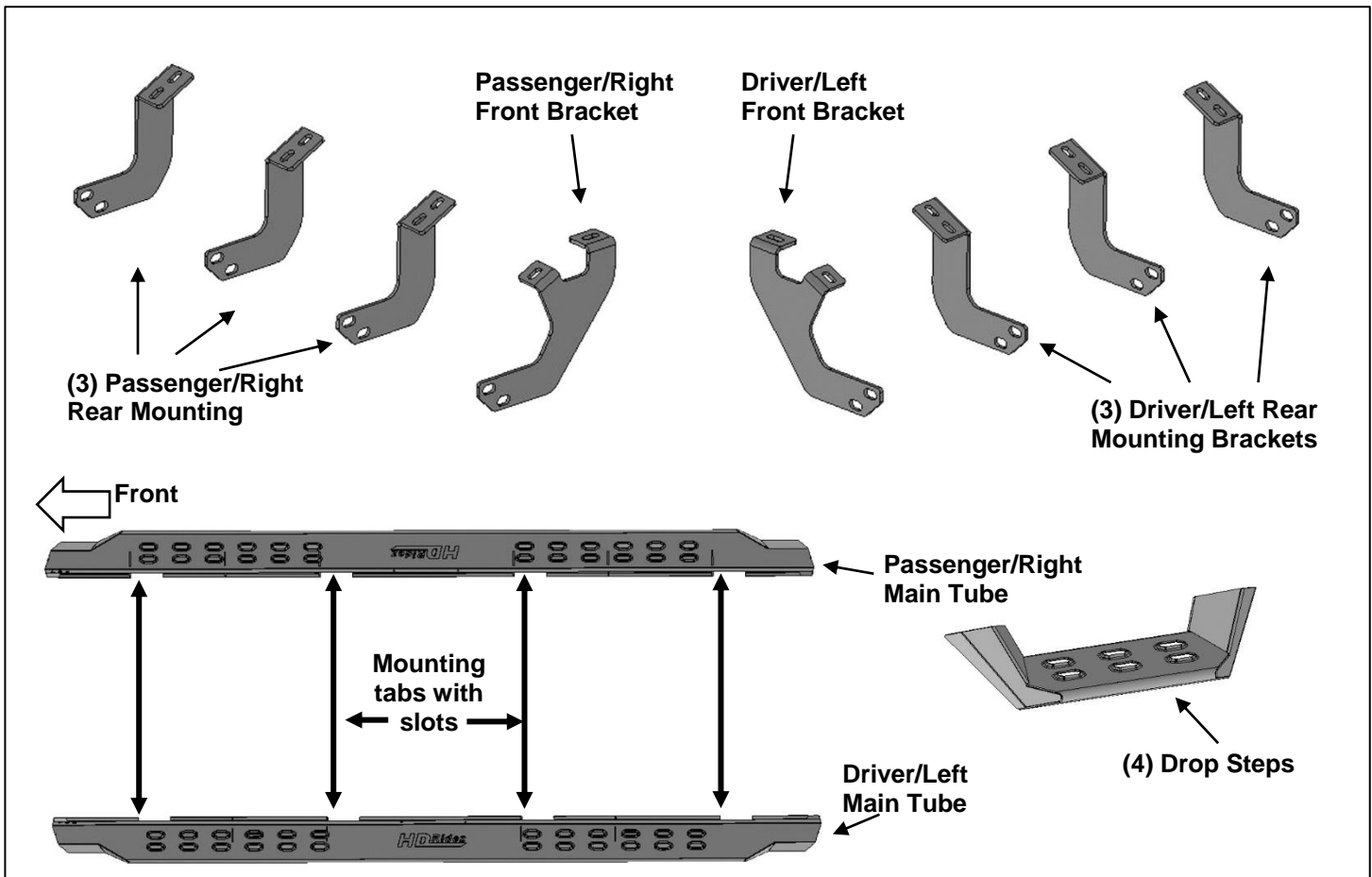


**PARTS LIST:**

1	Driver/Left Main Tube	32	10mm x 20mm x 2mm Flat Washers
1	Passenger/Right Main Tube	16	10mm Nylon Lock Nuts
4	Drop Steps	16	10mm x 30mm Hex Bolts
1	Driver/Left Front Mounting Bracket	16	8mm Lock Washers
1	Passenger/Right Front Mounting Bracket	16	8mm x 24mm x 2mm Flat Washers
3	Driver/Left Rear Mounting Brackets	16	8mm x 30mm Hex Bolts
3	Passenger/Right Rear Mounting Brackets	16	8mm x 22mm x 2mm Flat Washers (Drop Step Assembly)
8	8 x 25mm Bolt Plates	16	8mm Nylon Lock Nuts (Drop Step Assembly)



**PROCEDURE:**

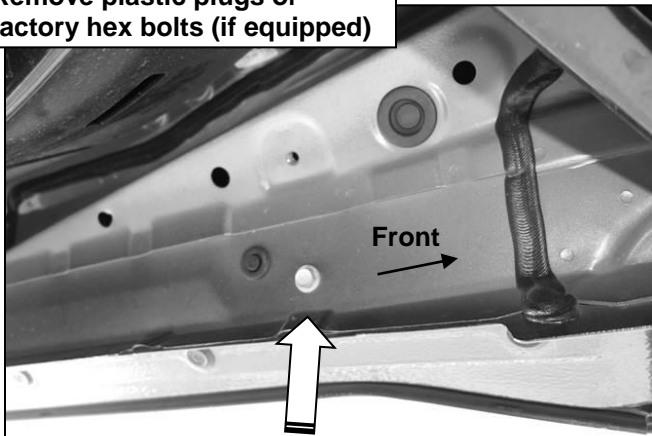
- 1. REMOVE CONTENTS FROM BOX. VERIFY ALL PARTS ARE PRESENT. READ INSTRUCTIONS CAREFULLY. USE ILLUSTRATION TO IDENTIFY BRACKETS AND RUNNING BOARDS.**
- Start installation on the Driver/Left front of the vehicle, remove the plastic plugs or hex bolts covering the (2) threaded holes in the body panel, **(Figure 1)**. Select the Driver/Left Front Mounting Bracket, **(Figure 2)**. Attach the Bracket to the vehicle using the included (2) 8mm Hex Bolts, (2) 8mm Lock Washers and (2) 8mm Flat Washers. Do not tighten hardware.
- Next, move to the 2nd, 3rd, and 4th mounting locations **(Figure 3 - 5)**. Select the Driver/Left Rear Mounting Bracket, **(Figure 6)**.
- Select the Driver/Left Main Tube. **IMPORTANT:** Use the illustration above to help identify the correct Main Tube. Insert (2) 8mm Bolt Plates into the front (2) sets of (2) holes, **(Figure 7)**. Attach (1) Drop Step to the (2) Bolt Plates with (4) 8mm x 22mm Flat Washers and (4) 8mm Nylon Lock Nuts, **(Figure 8)**. Do not tighten hardware.
- With assistance, line up the holes in the mounting tabs on the Running Board to the rear facing slots in the Mounting Brackets. Attach the Driver/Left Main Tube to the Mounting Brackets with (8) 10mm Hex Bolts, (16) 10mm Flat Washers and (8) 10mm Nylon Lock Nuts, **(Figure 9)**. Do not tighten hardware.

6. Level and adjust the Driver/Left Main Tube and tighten all hardware.
7. Repeat **Steps 2—5** for Passenger/Right Main Tube.
8. Do periodic inspections to the installation to make sure that all hardware is secure and tight.

**To protect your investment**, Do not use any type of polish or wax that may contain abrasives that could damage the finish. Mild soap may be used to clean Slider Drop Step.

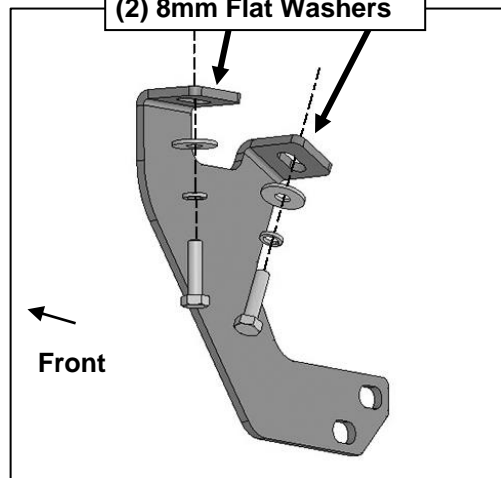
### Driver/left Side Installation Pictured

Remove plastic plugs or  
factory hex bolts (if equipped)

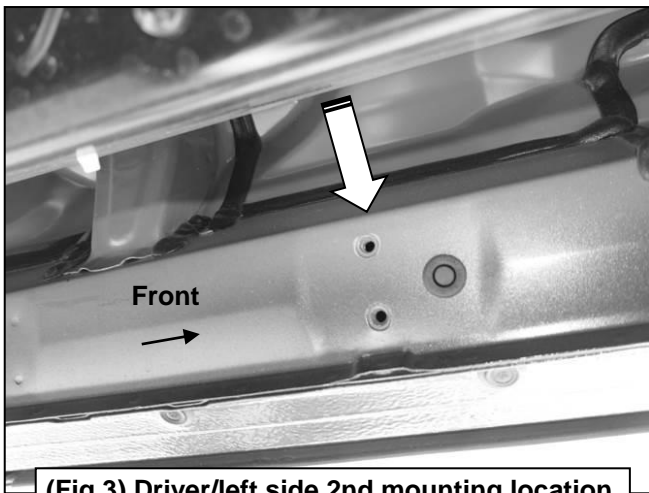


(Fig 1) Driver/left side front mounting location

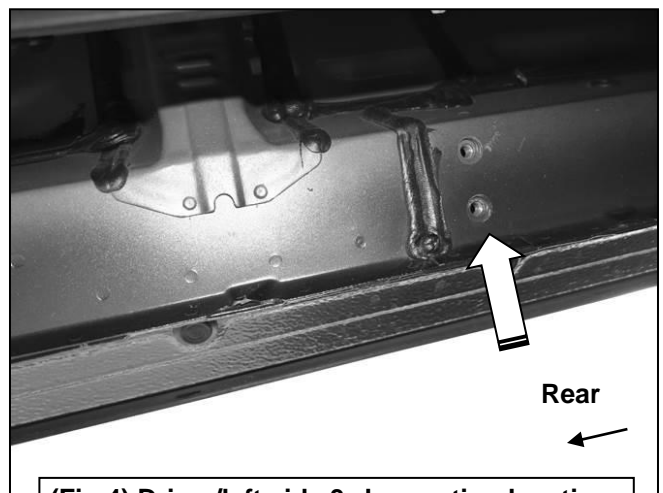
(2) 8mm Hex Bolts  
(2) 8mm Lock Washers  
(2) 8mm Flat Washers



(Fig 2) Driver/left side front mounting location

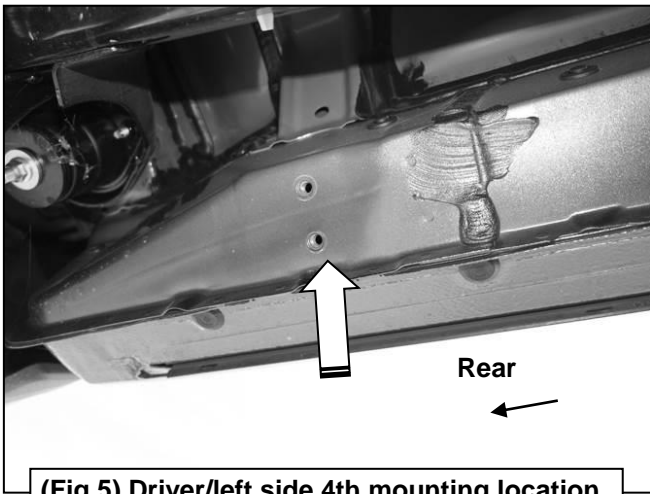


(Fig 3) Driver/left side 2nd mounting location



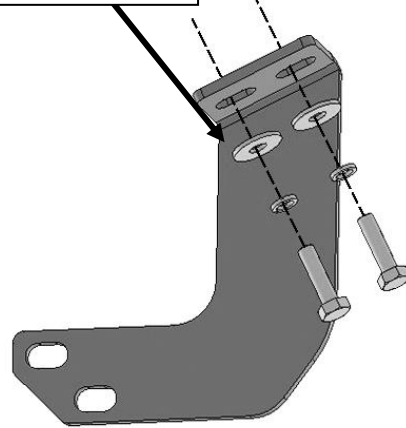
(Fig 4) Driver/left side 3rd mounting location

### Driver/left Side Installation Pictured

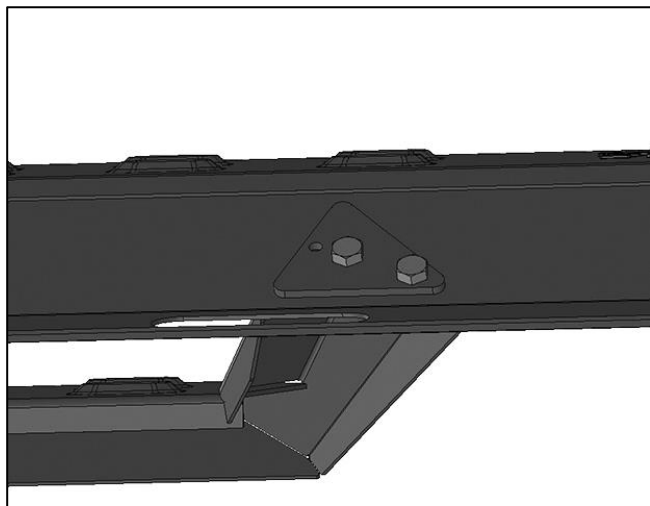


(Fig 5) Driver/left side 4th mounting location

- (2) 8mm Hex Bolts
- (2) 8mm Lock Washers
- (2) 8mm Flat Washers

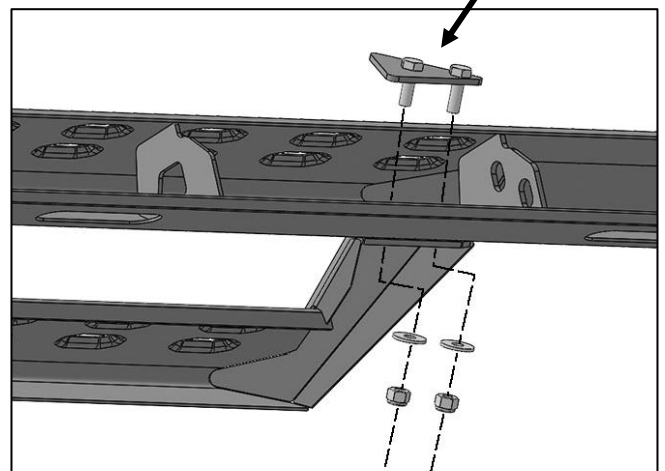


(Fig 6) Attach the Driver/Left Rear Mounting Bracket to the 2nd, 3rd, & 4th mounting locations

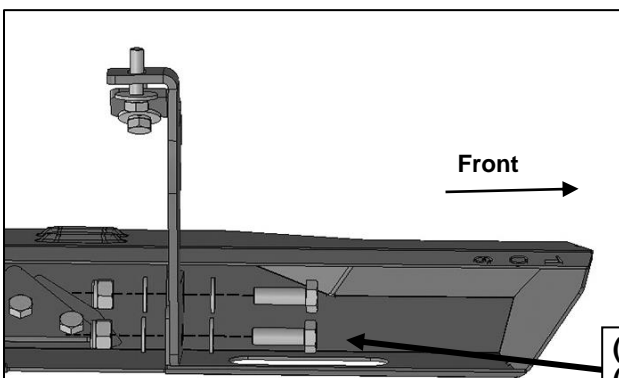


(Fig 7) Insert (1) Bolt Plate into the holes in the Tube

- (1) 8mm Bolt Plate
- (2) 8mm x 22mm Flat Washers
- (2) 8mm Nylon Lock Nuts



(Fig 8) Attach (1) Drop Step to (2) Bolt Plates



(Fig 9) Attach the Driver/Left Main Tube to the Mounting Brackets

- (2) 10mm Hex Bolts
- (4) 10mm Flat Washers
- (2) 10mm Nylon Lock Nuts