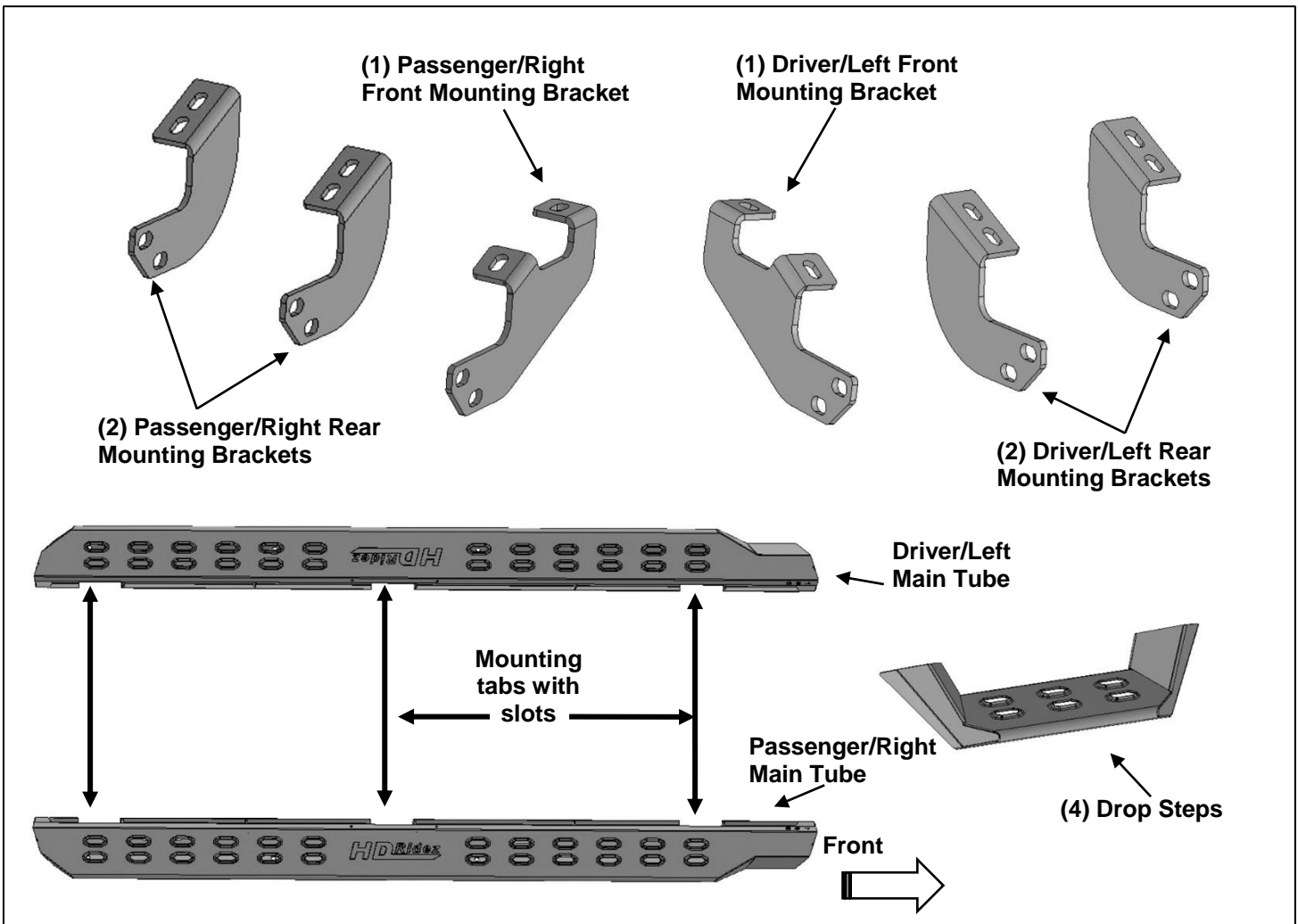


**PARTS LIST:**

1	Driver/Left Main Tube	12	10mm Nylon Lock Nuts
1	Passenger/Right Main Tube	24	10mm x 20mm x 2mm Flat Washers
4	Drop Steps	12	10mm x 30mm Hex Bolts
1	Driver/Left Front Mounting Bracket	12	8mm x 30mm Hex Bolts
1	Passenger/Right Front Mounting Bracket	12	8mm x 24mm x 2mm Flat Washers
2	Driver/Left Rear Mounting Bracket	12	8mm Lock Washers
2	Passenger/Right Rear Mounting Bracket	16	8mm x 22mm x 2mm Flat Washers (Drop Step Assembly)
8	8mm x 25mm Bolt Plates	16	8mm Nylon Lock Nuts (Drop Step Assembly)



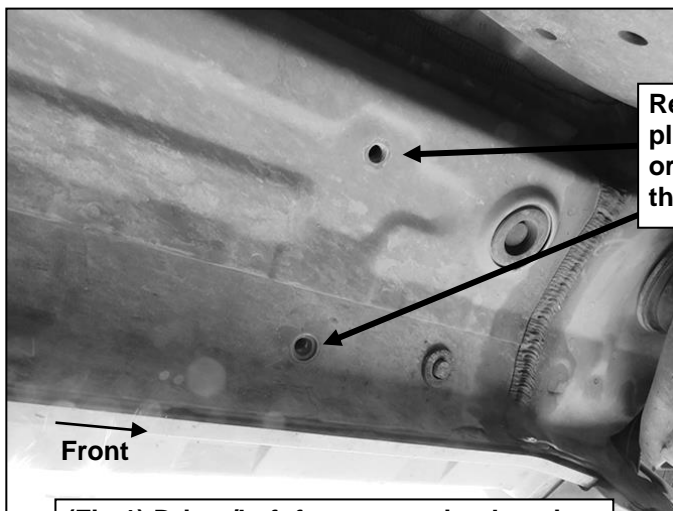
**PROCEDURE:**

1. REMOVE CONTENTS FROM BOX. VERIFY ALL PARTS ARE PRESENT. READ INSTRUCTIONS CAREFULLY. ASSISTANCE IS HIGHLY RECOMMENDED.
2. Starting on the Driver/Left side of the vehicle, remove the plastic plugs or hex bolts from the factory mounting location along the bottom of the body, (Figures 1, 3 & 4).
3. Select the Driver/Left Front Mounting Bracket. Attach the Mounting Bracket to the front mounting location with (2) 8mm Hex Bolts, (2) 8mm Lock Washers and (2) 8mm Flat Washers, (Figures 1—2). Do not tighten hardware.

4. Select (1) Driver/Left Rear Mounting Bracket. Attach the Mounting Bracket to the center location with (2) 8mm Hex Bolts, (2) 8mm Lock Washers and (2) 8mm Flat Washers, **(Figures 3 & 5)**. Do not tighten hardware.
5. Repeat **Step 4** to attach (1) Driver/Left Rear Mounting Bracket to the rear location, **(Figures 4 & 5)**. Do not tighten hardware.
6. Select the Driver/Left Main Tube. **IMPORTANT:** Use the illustration above to help identify the correct Main Tube. Insert (2) 8mm Bolt Plates into the front (2) sets of (2) holes, **(Figure 6)**. Attach (1) Drop Step to the (2) Bolt Plates with (4) 8mm x 22mm Flat Washers and (4) 8mm Nylon Lock Nuts, **(Figure 7)**. Do not tighten hardware.
7. With assistance, line up the holes in the mounting tabs on the Running Board to the rear facing slots in the Mounting Brackets. Attach the Driver/Left Main Tube to the Mounting Brackets with (6) 10mm Hex Bolts, (12) 10mm Flat Washers and (6) 10mm Nylon Lock Nuts, **(Figure 8)**. Do not tighten hardware.
8. Level and adjust the Driver/Left Main Tube and tighten all hardware.
9. Repeat **Steps 2—7** to attach the Passenger/Right Main Tube.
10. Do periodic inspections to the installation to make sure that all hardware is secure and tight.

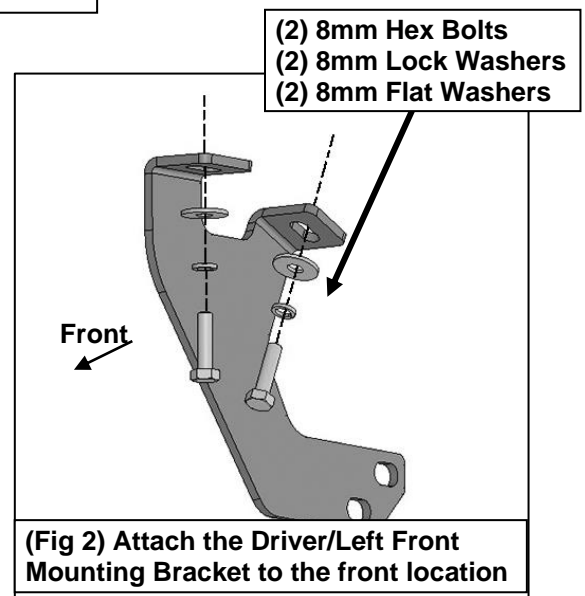
**To protect your investment,** Do not use any type of polish or wax that may contain abrasives that could damage the finish. Use only mild soap to clean the Slider Drop Steps.

### Driver/Left Side Installation Pictured

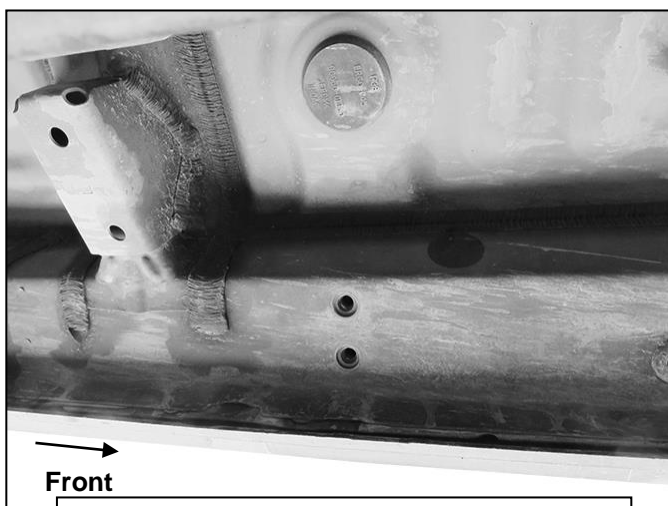


**(Fig 1) Driver/Left front mounting location**

Remove plastic  
plugs (if equipped)  
or hex bolts from  
threaded holes

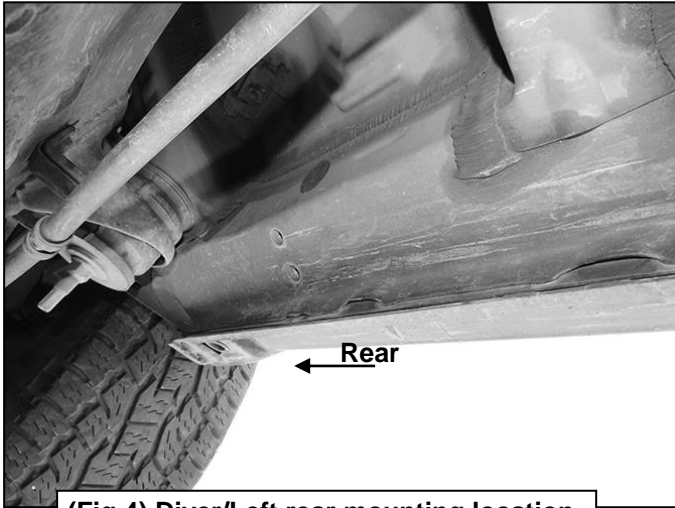


**(Fig 2) Attach the Driver/Left Front Mounting Bracket to the front location**

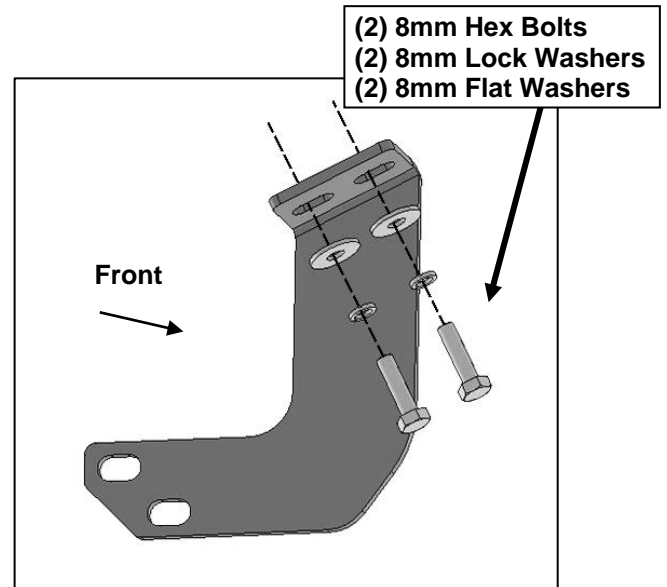


**(Fig 3) Driver/Left center mounting location**

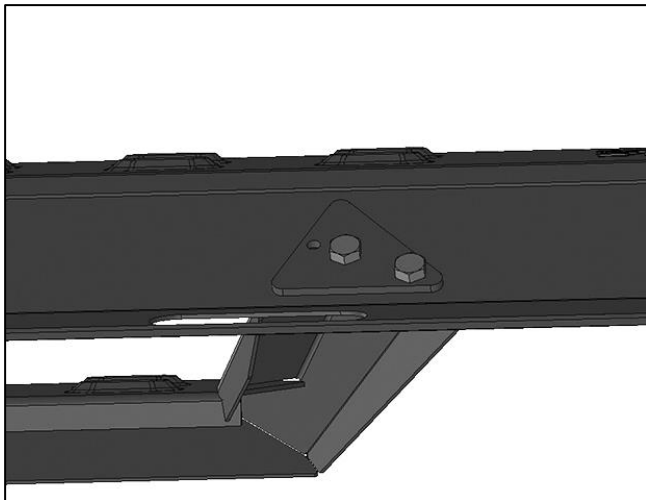
**Driver/Left Side Installation Pictured**



**(Fig 4) Diver/Left rear mounting location**

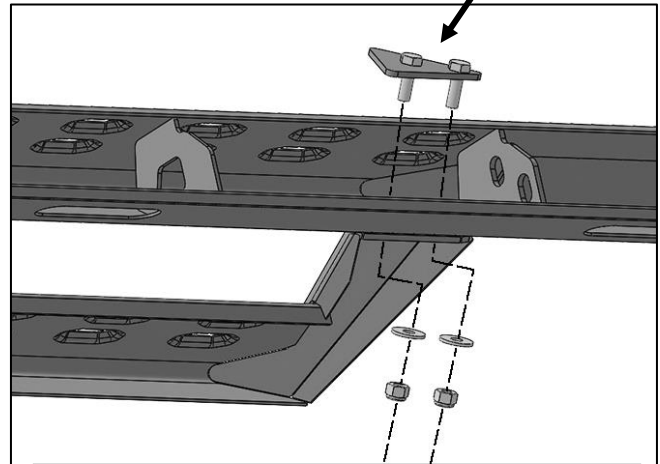


**(Fig 5) Attach (1) Driver/Left Rear Mounting Bracket to the center and rear location**

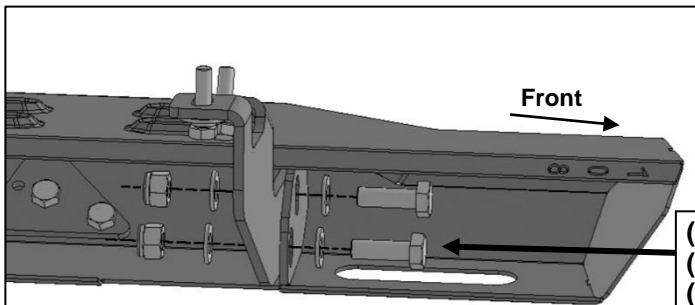


**(Fig 6) Insert (1) Bolt Plate into the holes in the Tube**

- (1) 8mm Bolt Plate
- (2) 8mm x 22mm Flat Washers
- (2) 8mm Nylon Lock Nuts



**(Fig 7) Attach (1) Drop Step to (2) Bolt Plates**



**(Fig 8) Attach the Driver/Left Main Tube to the Mounting Brackets**

- (2) 10mm Hex Bolts
- (4) 10mm Flat Washers
- (2) 10mm Nylon Lock Nuts