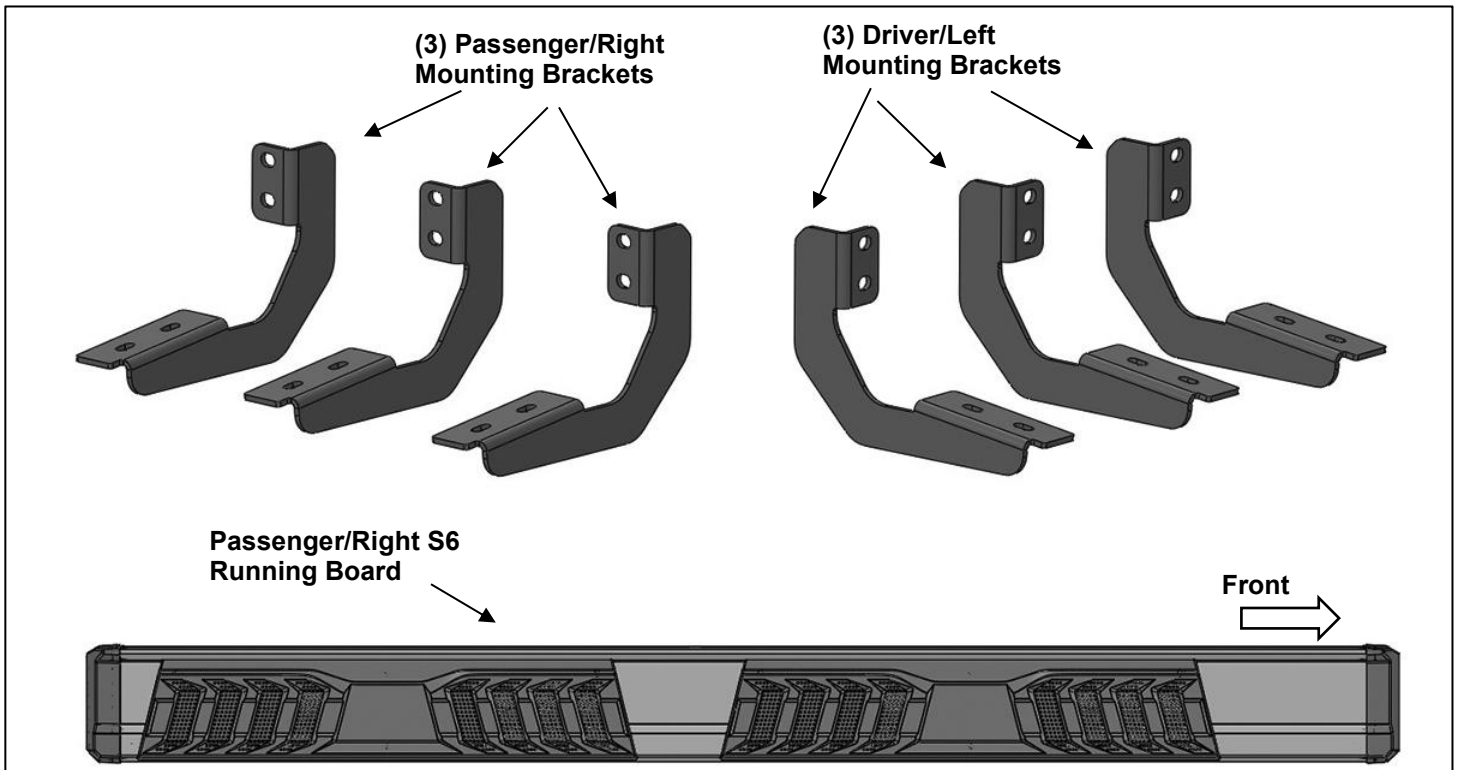


**PARTS LIST:**

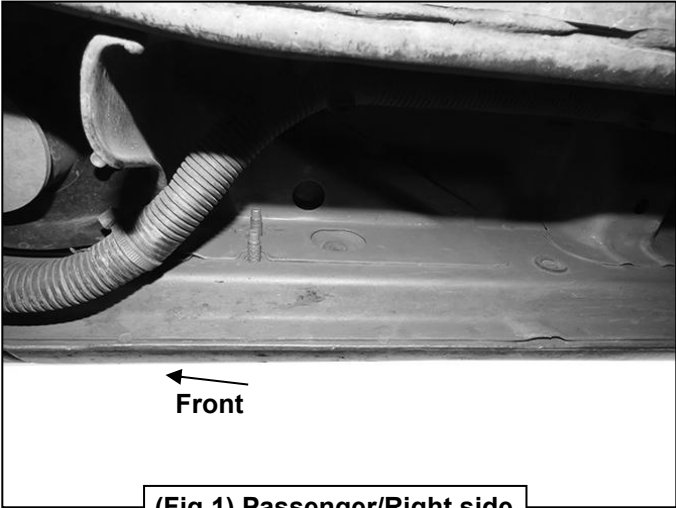
1	Driver/Left S6 Running Board	6	8mm x 35mm Double Bolt Plates
1	Passenger/Right S6 Running Board	24	8mm x 24mm OD x 2mm Flat Washers
3	Driver/Left Mounting Brackets	12	8mm Nylon Lock Nuts
3	Passenger/Right Mounting Brackets	12	8mm Flange Nuts

**PROCEDURE:**

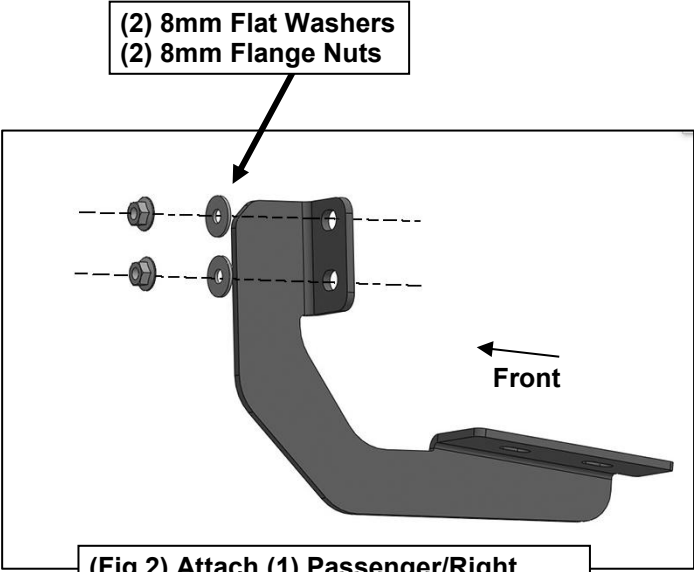
1. REMOVE CONTENTS FROM BOX. VERIFY ALL PARTS ARE PRESENT. READ INSTRUCTIONS CAREFULLY. CLEAN MOUNTING STUDS WITH WIRE BRUSH TO REMOVE PAINT AND DEBRIS.
2. Starting on the Passenger/Right front of the vehicle, **(Figure 1)**. Attach (1) Passenger/Right Mounting Bracket to the front location with (2) 8mm Flat Washers and (2) 8mm Flange Nuts, **(Figure 2)**. Do not tighten hardware.
3. Repeat **Step 2** to attach the remaining (2) Passenger/Right Mounting Brackets to the Passenger/Right center and rear locations, **(Figure 3)**.
4. Select the Passenger/Right S6 Running Board. Select (3) Double Bolt Plates. Insert the Bolt Plates into the channel in the bottom of the Running Board closest to the Brackets, **(Figure 4)**. Lift the Running Board up and guide the studs through the Brackets. **IMPORTANT:** Do not slide, (front to back), the Running Board on the Brackets or damage to the finish may result.
5. Attach the Running Board to the Brackets with (6) 8mm x 24mm Flat Washers and (6) 8mm Nylon Lock Nuts, **(Figure 5)**. Do not tighten hardware.
6. Level and adjust the S6 Running Board and tighten all hardware.
7. Repeat **Steps 1—6** to attach the Driver/Left S6 Running Board.
8. Do periodic inspections to the installation to make sure that all hardware is secure and tight.

**To protect your investment:** Do not use any type of polish or wax that may contain abrasives that could damage the finish. Mild soap may be used to clean the Running Boards.

**Passenger/Right Side Installation Pictured**



**(Fig 1) Passenger/Right side front mounting location**



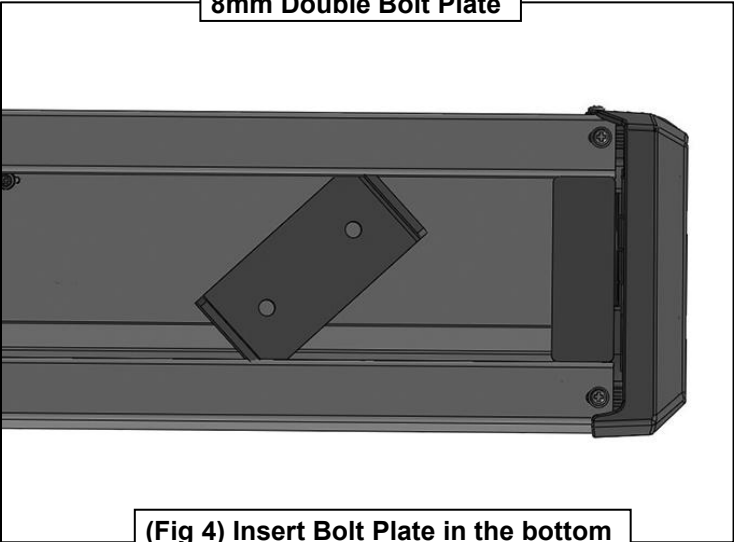
**(Fig 2) Attach (1) Passenger/Right Mounting Bracket to the front location**



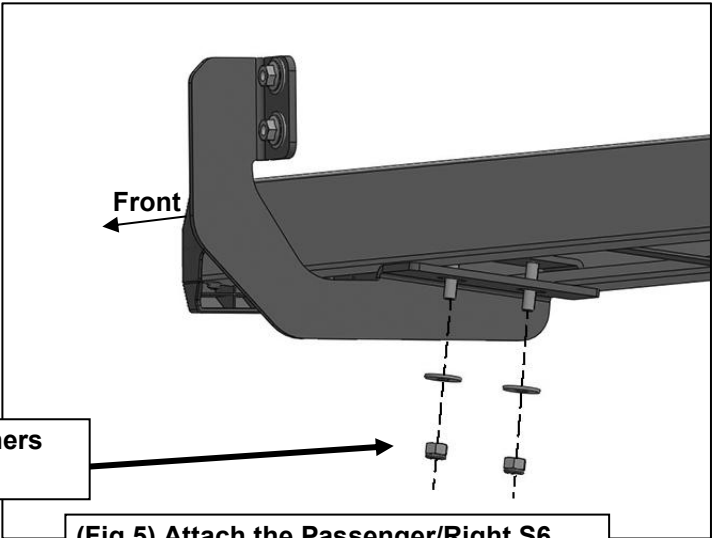
**(Fig 3) Passenger/Right side rear mounting location**

**Passenger/Right Side Installation Pictured**

8mm Double Bolt Plate



**(Fig 4) Insert Bolt Plate in the bottom of the channel on the Running Board**



(2) 8mm x 24mm Flat Washers  
(2) 8mm Nylon Lock Nuts

**(Fig 5) Attach the Passenger/Right S6 Running Board to the Mounting Brackets**