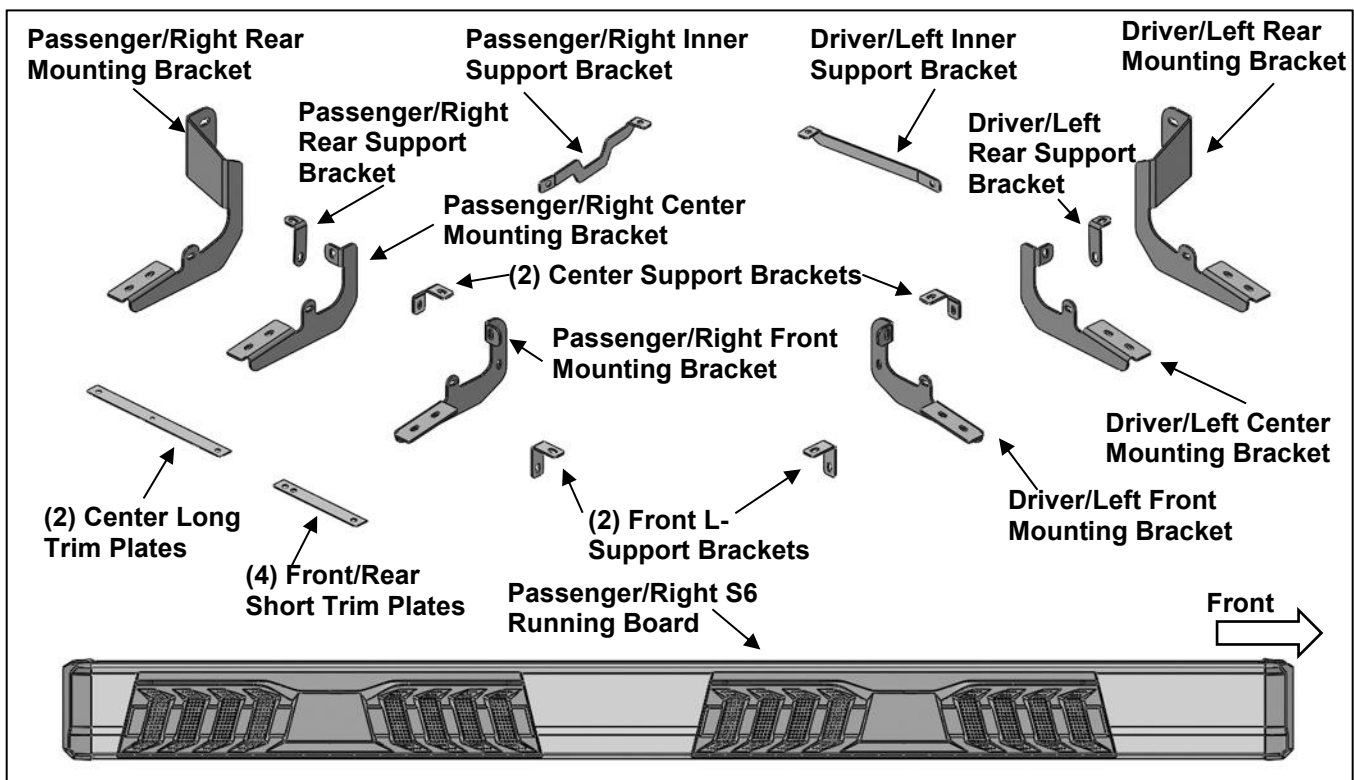


Parts List:

1	Driver/Left S6 Running Board	2	Center Long Trim Plates
1	Passenger/Right S6 Running Board	2	10mm Double Bolt Plates
1	Driver/Left Front Mounting Bracket	18	10mm Single Bolt Plates
1	Passenger/Right Front Mounting Bracket	22	10mm x 24mm OD x 3mm Flat Washers
1	Driver/Left Center Mounting Bracket	22	10mm Lock Washers
1	Passenger/Right Center Mounting Bracket	22	10mm Hex Nuts
1	Driver/Left Rear Mounting Bracket	18	10mm Plastic Retainers
1	Passenger/Right Rear Mounting Bracket	6	8mm Double Bolt Plates
1	Driver/Left Front Inner Support Bracket	8	8mm x 30mm Hex Bolts
1	Passenger/Right Front Inner Bracket	16	8mm x 28mm OD x 3mm Large Flat Washers
2	Front L-Brackets	12	8mm x 24mm OD x 2mm Small Flat Washers
2	Center Support Brackets	8	8mm Lock Washers
2	Rear L-Brackets	8	8mm Hex Nuts
4	Front/Rear Short Trim Plates	12	8mm Nylon Lock Nuts



PROCEDURE:

- 1. REMOVE CONTENTS FROM BOX. VERIFY ALL PARTS ARE PRESENT. READ INSTRUCTIONS CAREFULLY.**
- Start installation on the passenger side of the vehicle. Locate and remove the (2) rubber plugs in the bottom of the outer frame channel closest to the front wheel opening, **(Figure 1)**.
- Select (2) 10mm Single Bolt Plates and (2) 10mm Plastic Retainers, **(Figure 2A)**. Partially thread the Retainers onto the Bolt Plates. **NOTE:** The Plastic Retainer is designed to help hold the Bolt Plate in place during Bracket installation.
- Insert (1) Bolt Plate into the first-forward hole with the plate pointed toward the rear of the vehicle, **(Figure 2B)**. Thread the Plastic Retainer down tight against the body panel. Repeat to install the next Bolt Plate into the second hole with the Plate pointed toward the front of the vehicle, **(Figures 2B & 3)**. **IMPORTANT:** The Plates on the (2) Bolt Plates must be pointed toward each other, **(Figure 3)**. Repeat this **Step** for all (6) Trim Plate installations.

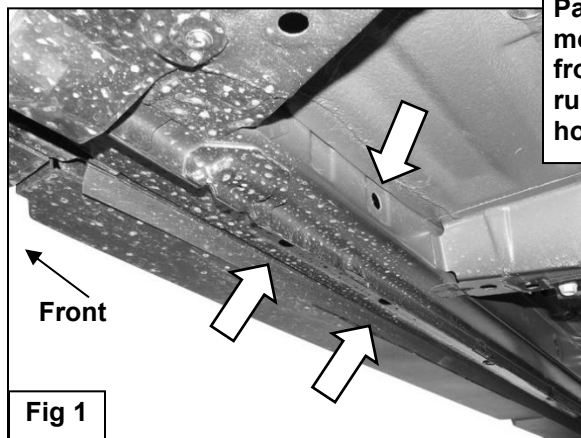
5. Select (1) Front/Rear Trim Plate, **(Figure 3)**. Slide the Trim Plate over the (2) Bolt Plates with the bent side toward the pinch weld. Attach the Trim Plate to the rear Bolt Plate only with (1) 10mm Flat Washer, (1) 10mm Lock Washer and (1) 10mm Hex Nut, **(Figure 4)**. Tighten the Hex Nut at this time.
6. Select (1) Front L-Bracket, **(Figure 6A)**. Attach the shorter leg on the L-Bracket to the front Bolt Plate with (1) 10mm Flat Washer, (1) 10mm Lock Washer and (1) 10mm Hex Nut, **(Figures 4 & 6B)**. Do not tighten hardware.
7. Locate the round hole in the back of the outer frame channel directly behind the previously installed Bolt Plates, **(Figures 1 & 5)**. Remove the rubber plug. Select (1) 10mm Bolt Plate and (1) 10mm Plastic Retainer, **(Figure 2A)**. Partially thread the Retainer onto the Bolt Plate. Insert the Bolt Plate into the hole and tighten the Retainer as previously described in **Step 4**. Repeat this **Step** for all (6) Single Bolt Plate installations.

IMPORTANT: Mounting areas may be covered with undercoating. Scrape excess undercoating from body panel at all mounting locations. Brackets must mount flat against body panels.

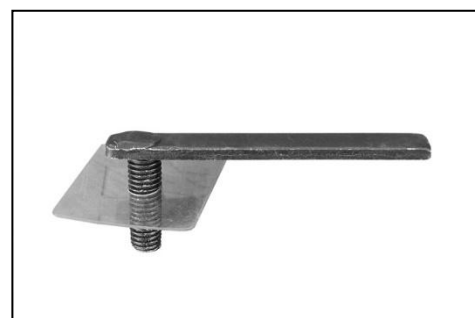
8. Select the Passenger/Right Front Mounting Bracket. Attach the Bracket to the Bolt Plate in the back of the frame channel first with (1) 10mm Flat Washer, (1) 10mm Lock Washer and (1) 10mm Hex Nut, **(Step 6, Figure 7)**. Do not tighten hardware.
9. Attach the Mounting Bracket to the back of the previously installed L-Bracket with (1) 8mm Hex Bolt, (2) 8mm x 28mm Large Flat Washers, (1) 8mm Lock Washer and (1) 8mm Hex Nut, **(Figure 11)**. Do not tighten hardware.
10. Next, locate the factory holes in the bottom of the inner frame channel directly behind the tie down loop where the frame is joined together. Insert the Bolt Plate, (as per **Step 4**), into the correct factory hole:
Passenger side installation: Use the 2nd factory hole back from the loop, **(Figure 9)**.
Driver side installation: Use the factory hole closest to the tie down loop.
11. Select the Passenger/Right Inner Support Bracket, use **figure 8 and the illustration above** to determine the correct Inner Support Bracket. Attach the 90-degree bent end of the Support Bracket to the Bolt Plate in the frame channel with (1) 10mm Flat Washer, (1) 10mm Lock Washer and (1) 10mm Hex Nut, **(Figures 9 & 10)**.
12. Bolt the outer end of the Support Bracket to the Mounting Bracket with (1) 8mm Hex Bolt, (2) 8mm Flat x 28mm Large Flat Washers, (1) 8mm Lock Washer and (1) 8mm Hex Nut, **(Figure 10)**.
13. **Attach the passenger side** Inner Support Bracket to the **back** of the Front Mounting Bracket, **(Figures 11 & 12)**.
Attach the driver side Inner Support Bracket to the **front** of the Front Mounting Bracket. Do not tighten hardware.
14. Select (1) 10mm Bolt Plate and (1) 10mm Plastic Retainer, **(Figures 2A & 9)**. Partially thread the Retainer onto the Bolt Plate.
15. Move along the side of the vehicle to the approximate center where the doors meet. Locate and remove the (2) rubber plugs from the bottom of the outer frame channel. Repeat **Steps 3—5** to install (2) Bolt Plates and (1) Long Center Trim Plate to the bottom of the frame channel, **(Figures 12 & 13)**.
16. Select (1) Center Support Bracket, **(Figure 14A)**. Attach the long end of the Support Bracket to the forward Bolt Plate in the frame channel with (1) 10mm Flat Washer, (1) 10mm Lock Washer and (1) 10mm Hex Nut, **(Figures 14B & 15)**.
17. Next, locate the single hole in the back of the outer frame channel, **(Figure 14B)**. Remove rubber plug if equipped. Select (1) 10mm Bolt Plate and (1) 10mm Plastic Retainer, **(Figure 2A)**. Install the Bolt Plate and Retainer in the back of the frame channel as described in **Steps 4 & 6, (Figure 14B)**.
18. Select the Passenger/Right Center Bracket. Attach the Bracket to the Bolt Plate in the back of the frame channel with (1) 10mm Flat Washer, (1) 10mm Lock Washer and (1) 10mm Hex Nut. Bolt the Center Bracket to the Support Bracket with (1) 8mm x 30mm Hex Bolt, (2) 8mm Flat Washers, (1) 8mm Lock Washer and (1) 8mm Hex Nut, **(Figure 15)**. Do not tighten hardware.
19. Move to the rear mounting location in front of the passenger side rear tire opening. Locate the large oval and round holes in the inner body panel in front of the rear tire, **(Figure 16)**. Select (1) 10mm Double Bolt Plate and (1) 10mm Plastic Retainer, **(Figure 17A)**. Insert the Double Bolt Plate into the oval hole and up and out of the smaller round hole above it. Thread the Plastic Retainer onto the Bolt Plate over the top round hole to hold the Bolt Plate in place, **(Figure 17B)**.

20. Locate the last (2) round holes along the floor panel, **(Figure 16)**. Repeat **Steps 3—5** to install the (2) Bolt Plates and Rear Trim Plate, **(Figures 18 & 19)**. **NOTE:** Attach the Trim Plate to the front Bolt Plate only with (1) 10mm Flat Washer, (1) 10mm Lock Washer and (1) 10mm Hex Nut, **(Figure 19)**. Tighten the Hex Nut at this time.
21. Select the Passenger/Right Rear Mounting Bracket, **(Figure 20)**. Attach the Mounting Bracket to the Double Bolt Plate with (2) 10mm Flat Washers, (2) 10mm Lock Washers and (2) 10mm Hex Nuts, **(Figure 20)**. Do not tighten hardware.
22. Select (1) Rear L-Bracket, **(Figure 6A)**. Attach the L-Bracket to the rear Bolt Plate with (1) 10mm Flat Washer, (1) 10mm Lock Washer and (1) 10mm Hex Nut. Do not tighten hardware. Attach the Mounting Bracket to the back of the Rear Support Bracket with (1) 8mm Hex Bolt, (2) 8mm x 28mm Large Flat Washers, (1) 8mm Lock Washer and (1) 8mm Hex Nut. Do not tighten hardware.
23. Unwrap the Passenger/Right S6 Running Board. Select (3) 8mm Double Bolt Plates, **(Figure 21)**. Insert the Bolt Plates into the channel in the bottom of the Running Board.
24. Place the Running Board on top of the (3) Mounting Brackets. Lift the Running Board up and guide the studs down through the Brackets. **IMPORTANT:** Do not slide the Running Board on the Brackets, (front to back or rotate), or the finish on the Running Board may be damaged.
25. Attach the Running Board to the Brackets with (6) 8mm Flat Washers and (6) 8mm Nylon Lock Nuts, **(Figure 22)**. Do not tighten hardware.
26. Level and adjust the Running Board and tighten all hardware.
27. Repeat **Steps 2—26** to attach the Driver/Left Running Board.
28. Do periodic inspections to the installation to make sure that all hardware is secure and tight.

To protect your investment, Do not use any type of polish or wax that may contain abrasives that could damage the finish. Only use mild soap to clean the Running Boards.

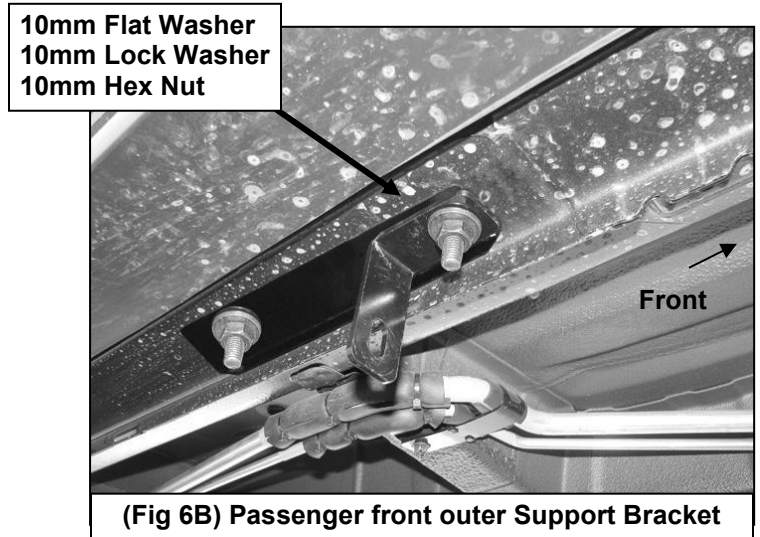
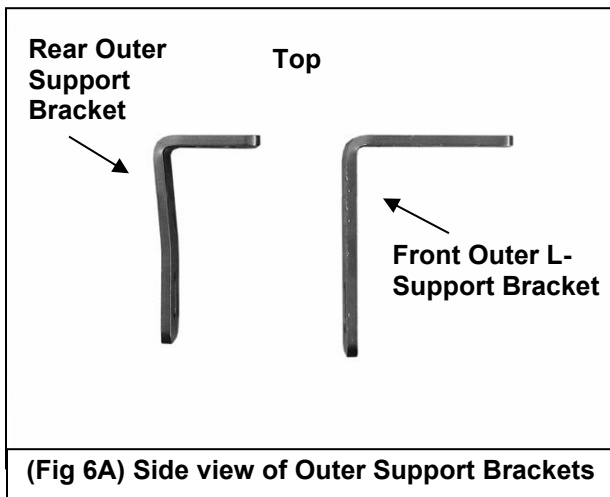
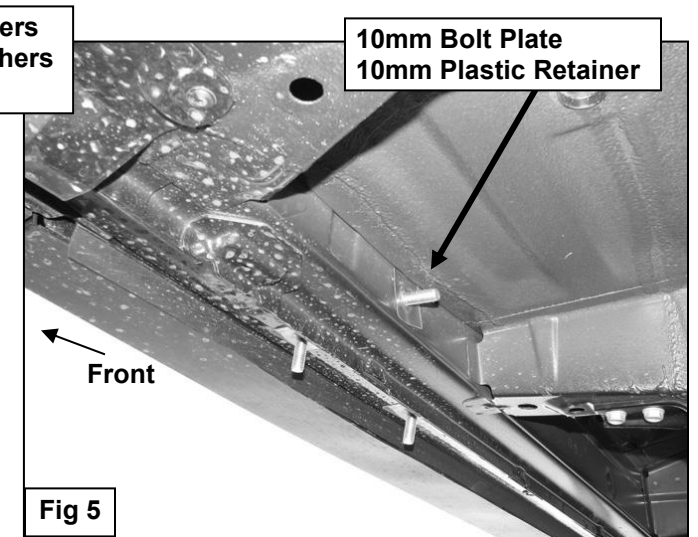
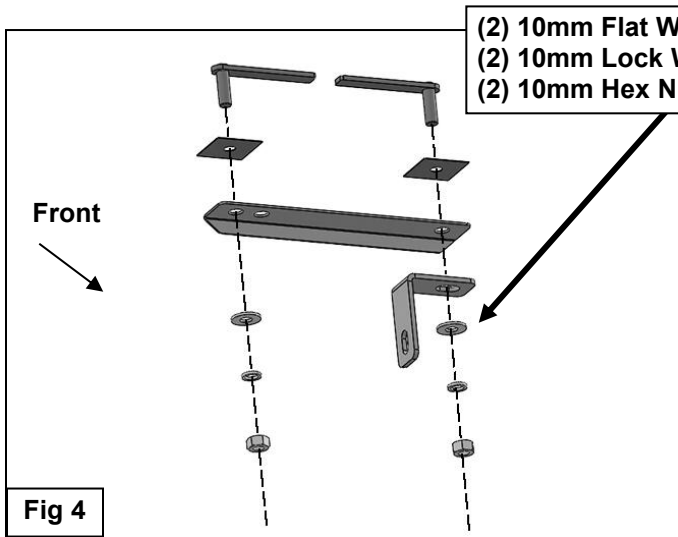
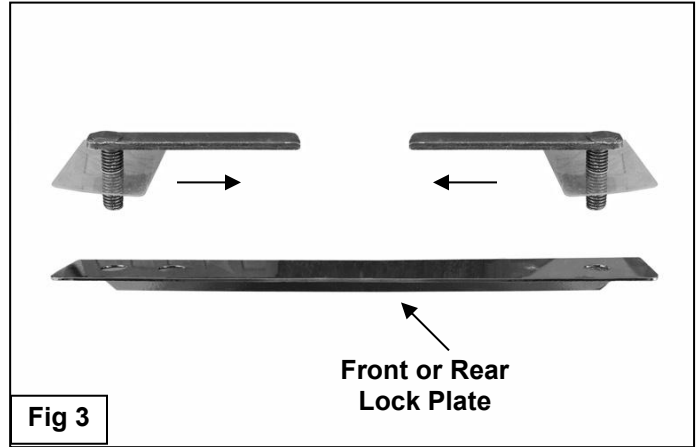
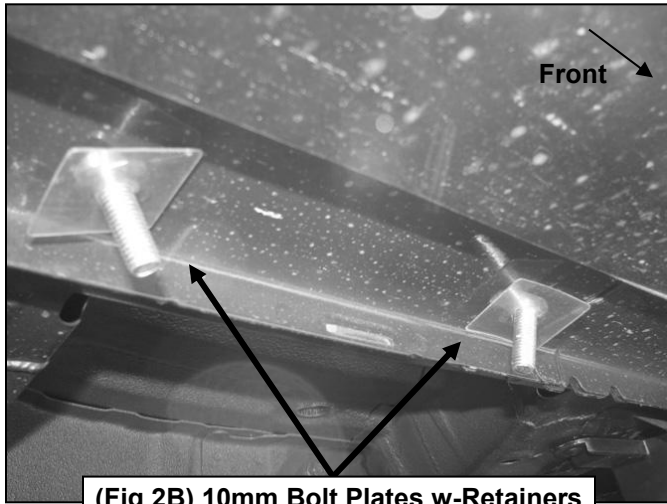


Passenger side front mounting location pictured from below. Remove (3) rubber plugs from factory holes (arrows)

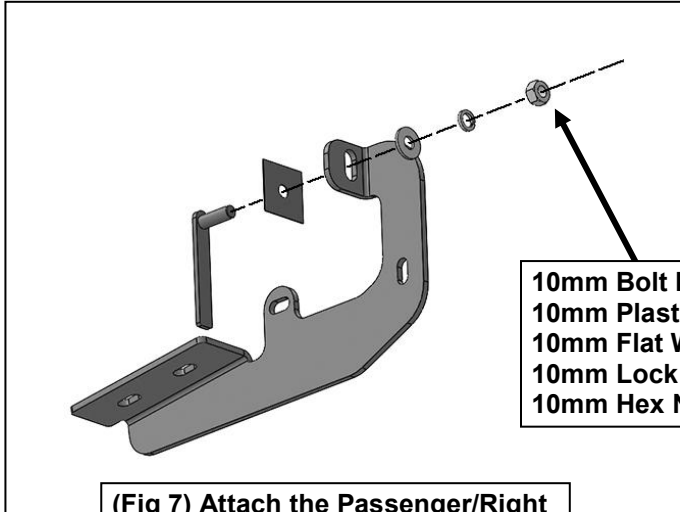


(Fig 2A) 10mm Bolt Plate w-Retainer

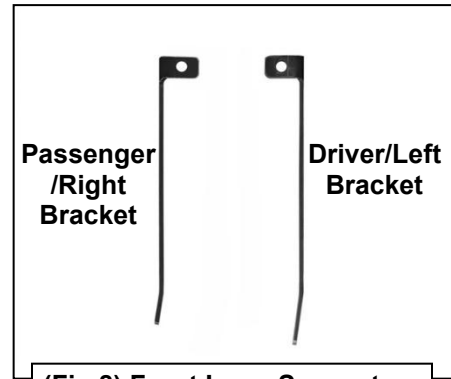
Passenger Side Installation Pictured



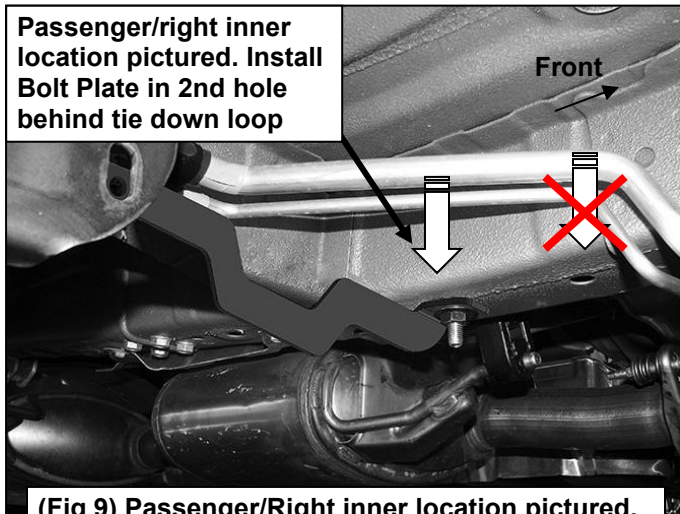
Passenger Side Installation Pictured



(Fig 7) Attach the Passenger/Right Mounting Bracket to the Bolt Plate



(Fig 8) Front Inner Support Brackets pictured from above



(Fig 9) Passenger/Right inner location pictured. Bolt Support Bracket to back of Front Bracket

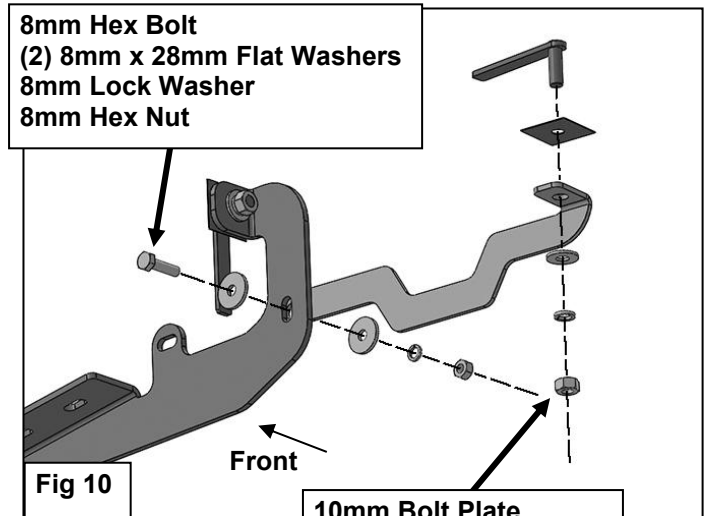


Fig 10

**10mm Bolt Plate
10mm Plastic Retainer
10mm Flat Washer
10mm Lock Washer
10mm Hex Nut**

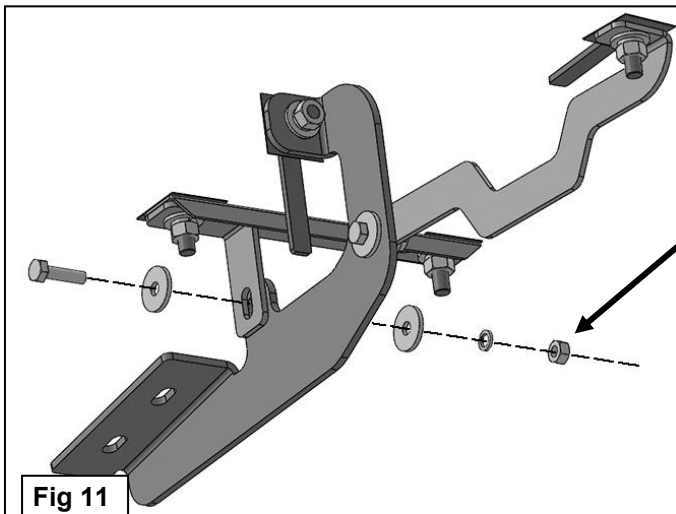
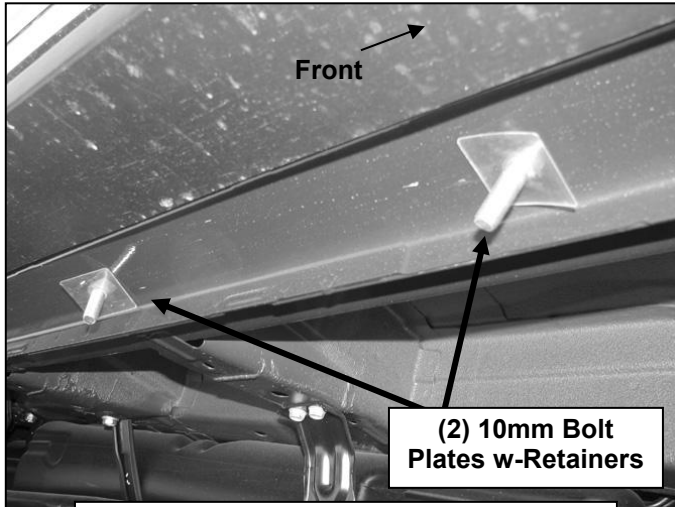


Fig 11

**8mm Hex Bolt
(2) 8mm x 28mm Flat Washers
8mm Lock Washer
8mm Hex Nut**

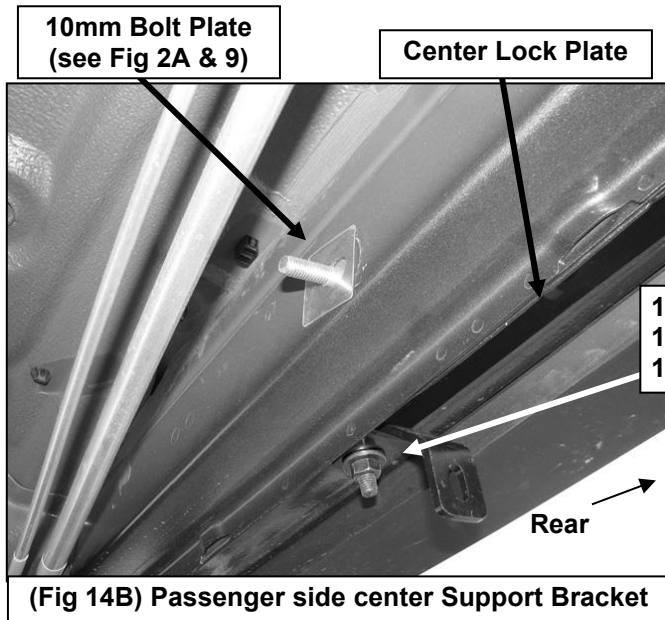
Passenger Side Installation Pictured



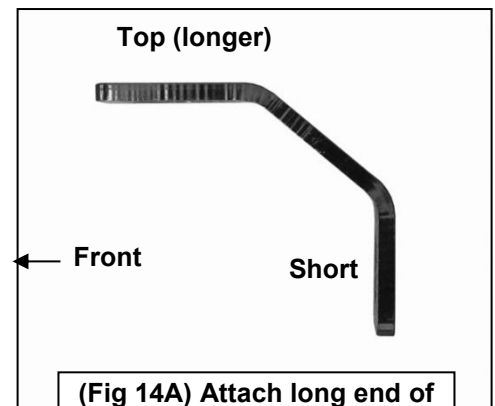
(Fig 12) Passenger side center location



(Fig 13) Passenger side Center Trim Plate

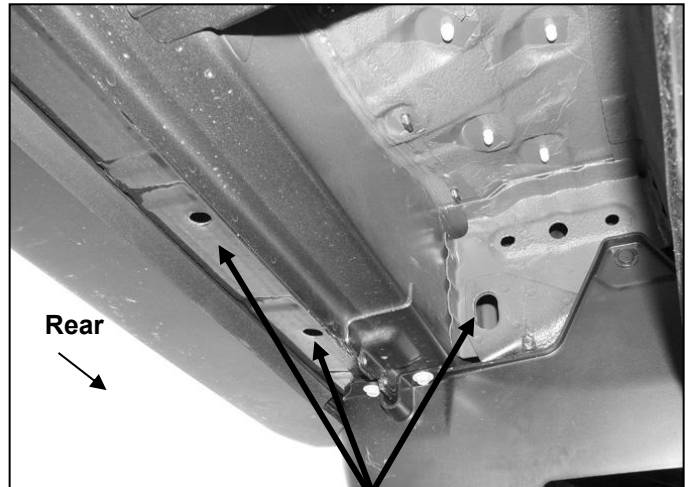
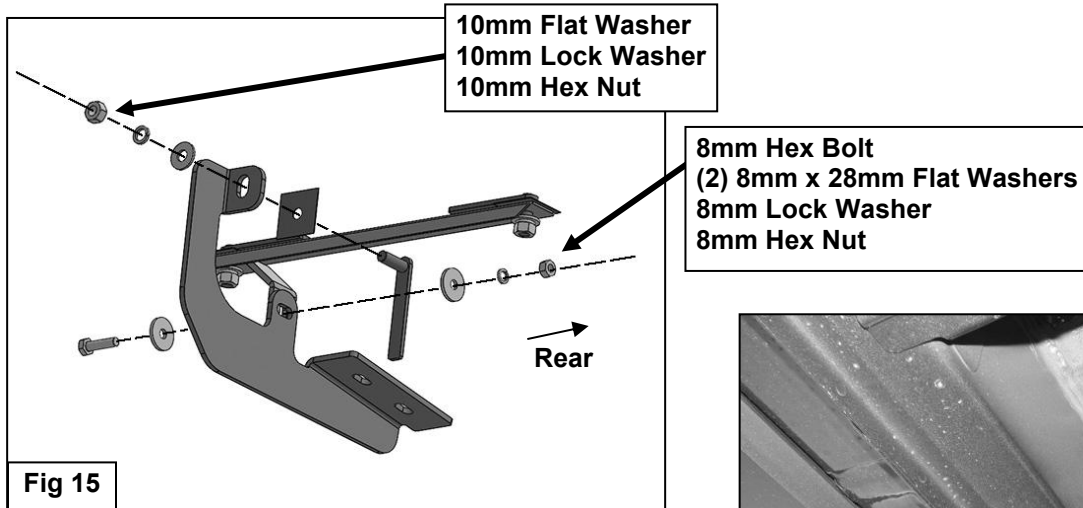


(Fig 14B) Passenger side center Support Bracket

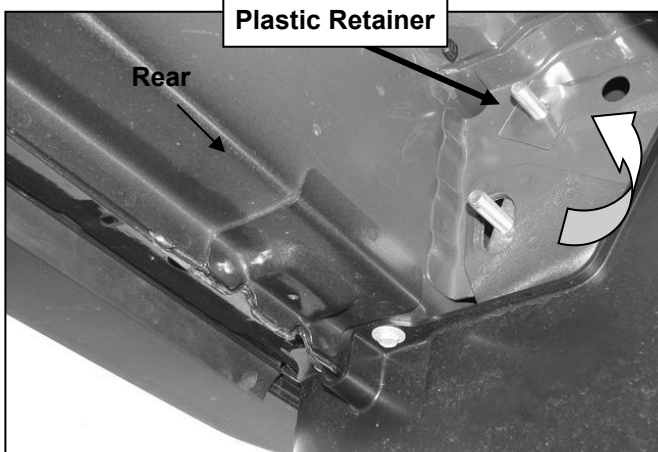


(Fig 14A) Attach long end of Support Bracket to Bolt Plate

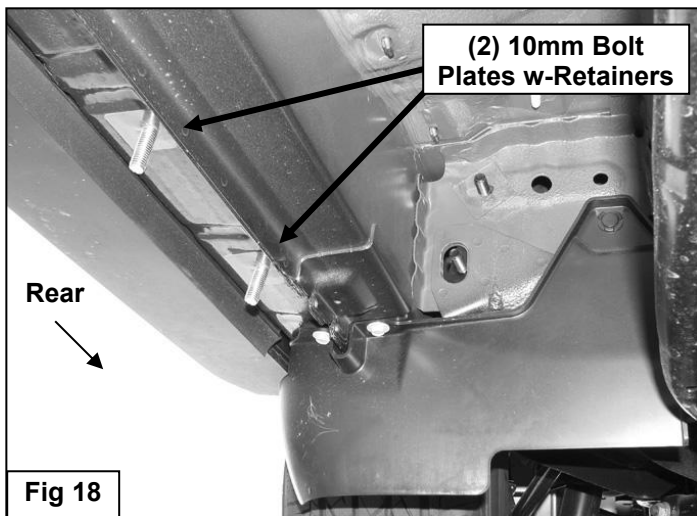
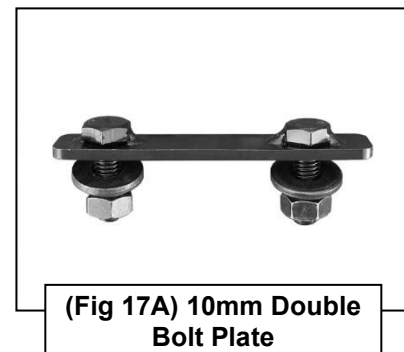
Passenger Side Installation Pictured



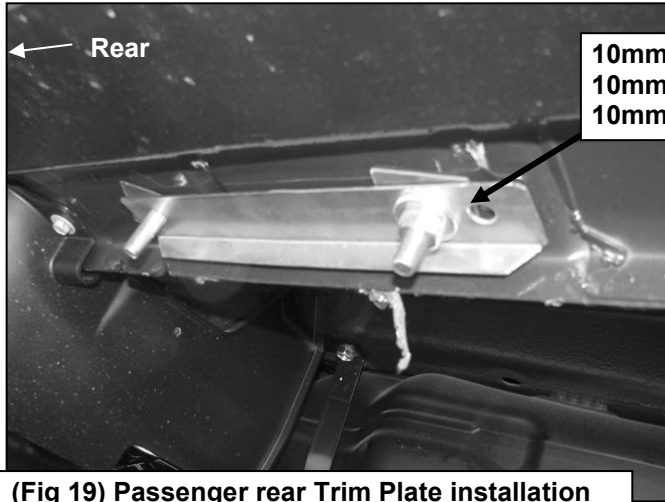
(Fig 16) Passenger side rear mounting location pictured. Remove factory rubber plugs



(Fig 17B) Insert the 10mm Double Bolt Plate into oval hole first, then up and out top hole. Passenger side rear mounting location pictured



Passenger Side Installation Pictured



(Fig 19) Passenger rear Trim Plate installation

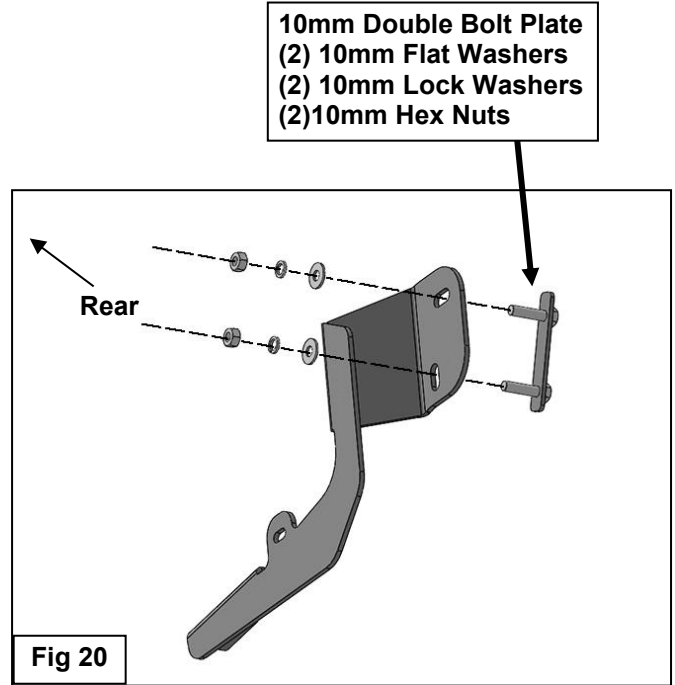
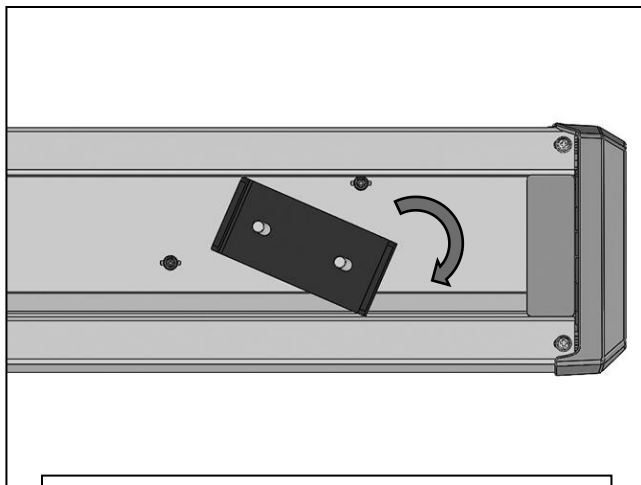
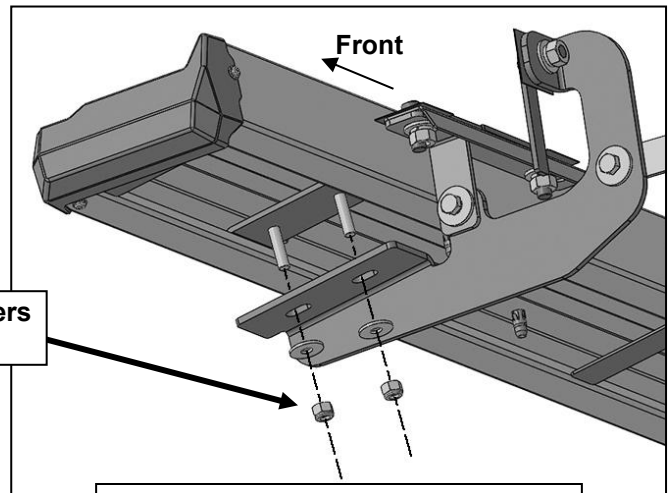


Fig 20



(Fig 21) Insert 8mm Double Bolt Plates into tracks on the bottom of the Running Board

(2) 8mm x 24mm Flat Washers
(2) 8mm Nylon Lock Nuts



(Fig 22) Running Board attached to Bracket (driver/left front Bracket)