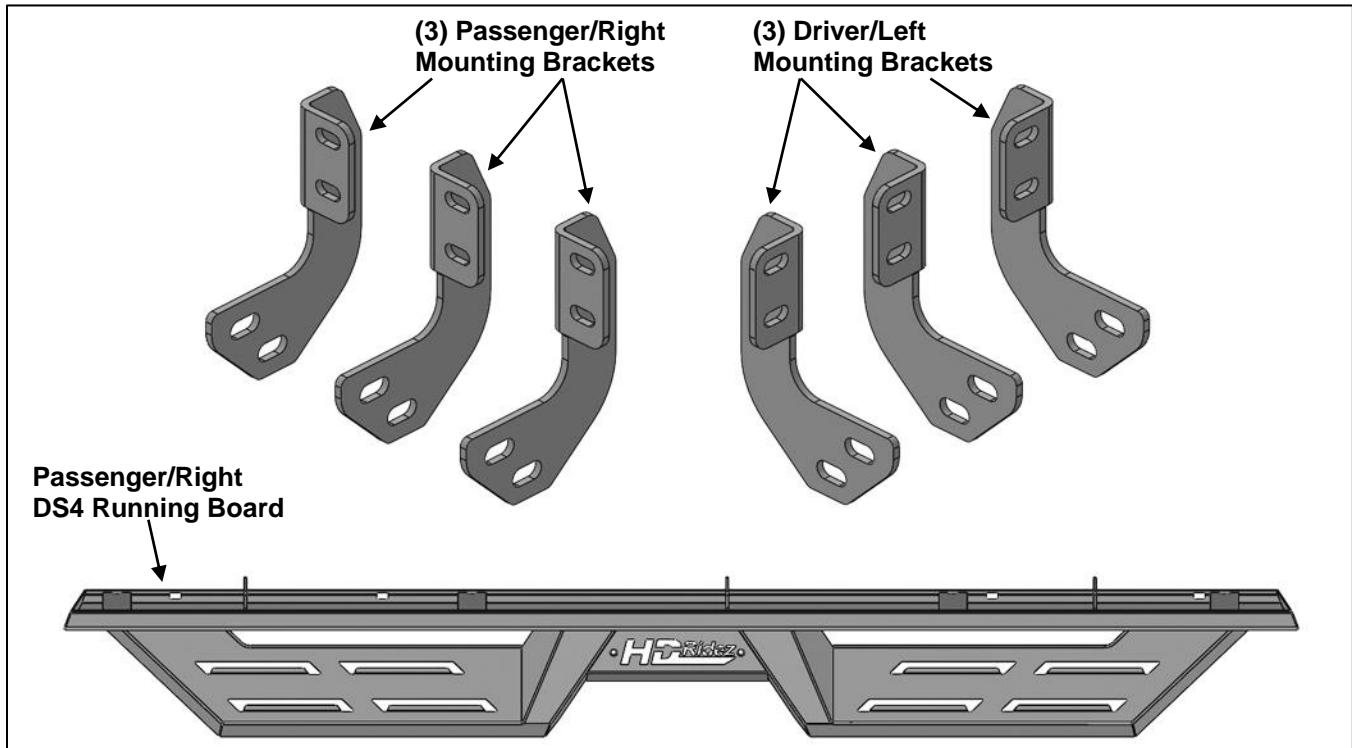


**PARTS LIST:**

1	Driver/Left DS4 Running Board	24	10mm x 20mm OD x 2mm Flat Washers
1	Passenger/Right DS4 Running Board	12	10mm Nylon Lock Nuts
3	Driver/Left Mounting Brackets	12	8mm x 24mm OD x 2mm Flat Washers
3	Passenger/Right Mounting Brackets	12	8mm Flanged Nuts
12	10mm x 30mm Hex Bolts		

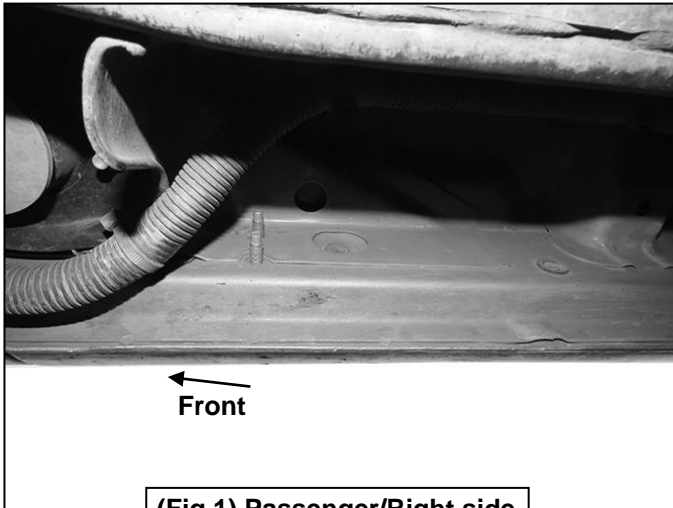


**PROCEDURE:**

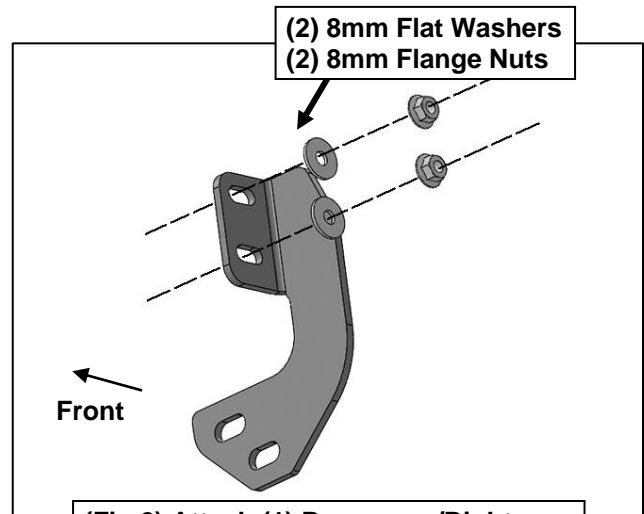
1. REMOVE CONTENTS FROM BOX. VERIFY ALL PARTS ARE PRESENT. READ INSTRUCTIONS CAREFULLY. CLEAN MOUNTING STUDS WITH WIRE BRUSH TO REMOVE PAINT AND DEBRIS.
2. Starting on the Passenger/Right front of the vehicle, **(Figure 1)**. Attach (1) Passenger/Right Mounting Bracket to the front location with (2) 8mm Flat Washers and (2) 8mm Flange Nuts, **(Figure 2)**. Do not tighten hardware.
3. Repeat **Steps 2 & 3** to attach the remaining (2) Passenger/Right Mounting Brackets to the Passenger/Right center and rear locations, **(Figure 3)**.
4. Select the Passenger/Right DS4 Running Board. Attach the mounting tabs on the Running Board to the front faces of the (3) Mounting Brackets. Attach the Running Board to the Mounting Brackets with (6) 10mm Hex Bolts, (12) 10mm Flat Washers and (6) 10mm Nylon Lock Nuts, **(Figure 4)**. Do not tighten hardware.
5. Level and adjust the Running Board and tighten all hardware.
6. Repeat **Steps 1—5** to attach the Driver/Left Running Board.
7. Do periodic inspections to the installation to make sure that all hardware is secure and tight.

**To protect your investment,** Do not use any type of polish or wax that may contain abrasives that could damage the finish. Mild soap may be used to clean the Running Boards.

### Passenger/Right Side Installation Pictured



(Fig 1) Passenger/Right side front mounting location



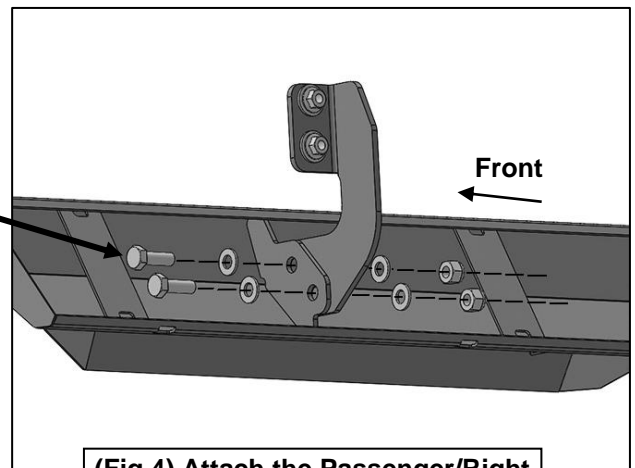
- (2) 8mm Flat Washers
- (2) 8mm Flange Nuts

(Fig 2) Attach (1) Passenger/Right Mounting Bracket to the front location



(Fig 3) Passenger/Right side rear mounting location

- (2) 10mm Hex Bolts
- (4) 10mm Flat Washers
- (2) 10mm Nylon Lock Nuts



(Fig 4) Attach the Passenger/Right Running Board to the front faces of the (3) Mounting Brackets