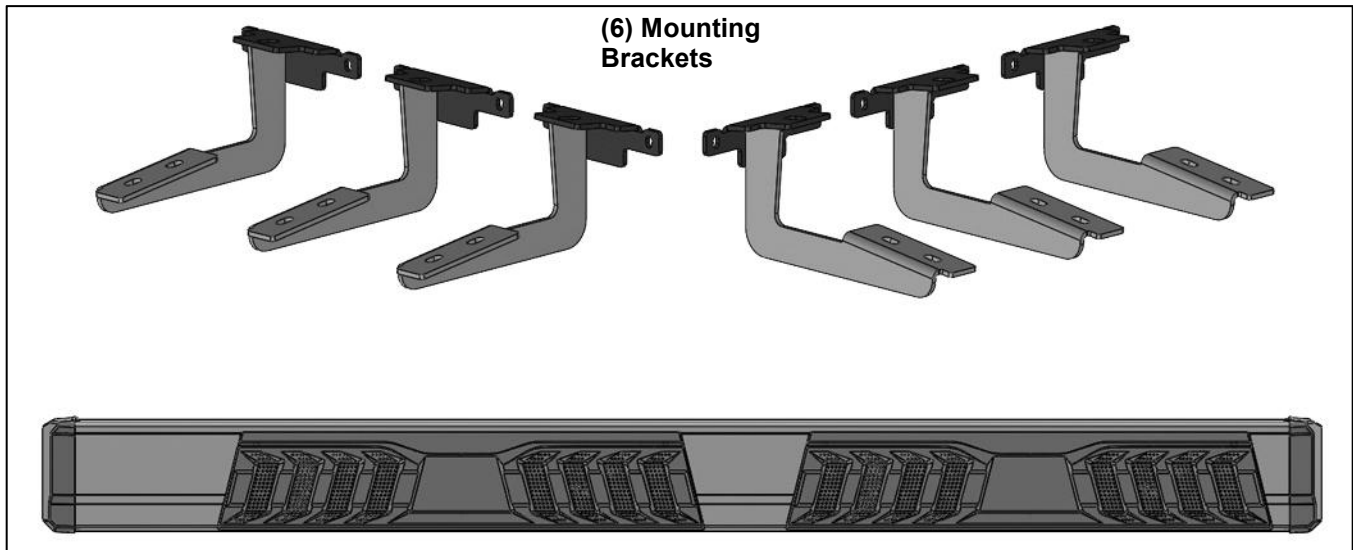


**Parts List:**

1	Driver/Left S6 Running Board	6	8mm x 35mm Double Bolt Plates
1	Passenger/Right S6 Running Board	12	8mm x 24mm OD x 2mm Flat Washers
6	Mounting Brackets	12	8mm Nylon Lock Nuts
6	12mm x 40mm Single Bolt Plates	12	6mm x 25mm Hex Bolts
6	12mm x 24mm OD x 2.5mm Flat Washers	12	6mm x 22mm OD x 2mm Large Flat Washers
6	12mm Serrated Flange Nuts	12	6mm x 18mm OD x 1.6mm Small Flat Washers
6	12mm Plastic Retainers	12	6mm Nylon Lock Nuts



**PROCEDURE:**

**REMOVE CONTENTS FROM BOX. VERIFY ALL PARTS ARE PRESENT. READ INSTRUCTIONS CAREFULLY BEFORE STARTING INSTALLATION. EXCLUDES SRT8 AND TRAILHAWK.**

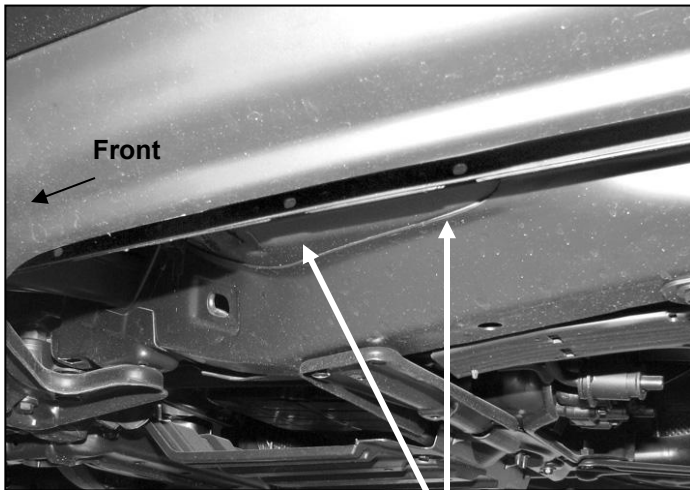
- Starting at the driver side, locate the (3) pairs of factory holes in the pinch weld, **(Figure 1 & 2)**. Move toward the front pair. Remove the rubber plug filling the oval hole in the bottom of the rocker panel in front of the two holes, **(Figure 3)**. Select (1) 12mm Bolt Plate and (1) 12mm Plastic Retainer. Partially thread the Retainer onto the Bolt Plate. Insert the Bolt Plate into the hole and rotate it 90-degrees to go across the slot, **(Figure 4)**. Thread the Retainer all the way down the Bolt Plate and tight against the body panel, **(Figure 5)**. **NOTE:** The Plastic Retainer is designed to prevent the Bolt Plate from falling into the body cavity and to aid in installing the Bracket.
- Select (1) Mounting Bracket and secure it to the Bolt Plate with (1) 12mm x 24mm Flat Washer and (1) 12mm Serrated Flange Nut, **(Figure 6)**. Do not tighten hardware.
- Line up the (2) small slots in the Bracket with the (2) holes in the pinch weld. Insert (1) 6mm Hex Bolt with (1) 6mm x 18mm Flat Washer through the pinch weld and then the Bracket. Secure the Bracket to the Hex Bolt with (1) 6mm x 22mm Large Flat Washer and (1) 6mm Nylon Lock Nut over the Bracket, **(Figure 7)**. Do not tighten hardware. Repeat for remaining mounting hole in Bracket and pinch weld.
- NOTE:** Insert 6mm Hex Bolts with Small Flat Washers through the back of the pinch weld first, and then out through the Bracket. **IMPORTANT:** The passenger side of the vehicle may have a wiring harness attached behind the pinch weld, **(Figures 8 & 9)**. Remove the hex nuts and drop the harness down before installing the Brackets. 6mm Hex Bolts install from the inside first, then through the Bracket to clear the harness, **(Figure 7)**. Snug but do not fully tighten hardware.
- Repeat **Steps 1 – 4** to install the center and rear Brackets.
- Unwrap the Driver/Left S6 Running Board. Select (3) 8mm Double Bolt Plates, **(Figure 10)**. Insert the Bolt Plates into the channel in the bottom of the Running Board.

EXCL. LIMITED X, HIGH ALTITUDE, SUMMIT, SRT, SRT8, TRACKHAWK AND TRAILHAWK

7. Place the Running Board on top of the (3) Mounting Brackets. Lift the Running Board up and guide the studs down through the Brackets. **IMPORTANT:** Do not slide the Running Board on the Brackets, (front to back or rotate), or the finish on the Running Board may be damaged.
8. Attach the Running Board to the Brackets with (6) 8mm Flat Washers and (6) 8mm Nylon Lock Nuts, (**Figure 11**). Do not tighten hardware.
9. Adjust and level the Running Board and tighten all hardware.
10. Repeat **Steps 1 – 9** to attach the Passenger/Right Running Board. See important information in **Step 4**.
11. Do periodic inspections to the installation to make sure that all hardware is secure and tight.

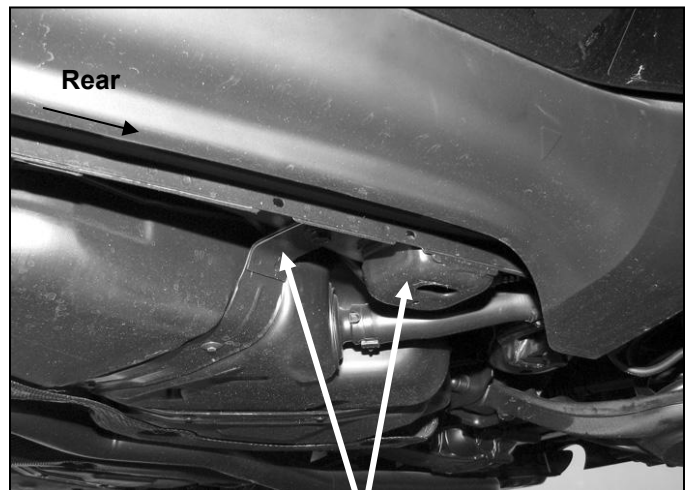
**To protect your investment,** Do not use any type of polish or wax that may contain abrasives that could damage the finish. Mild soap may be used also to clean the Running Boards.

### Driver Side Installation Pictured

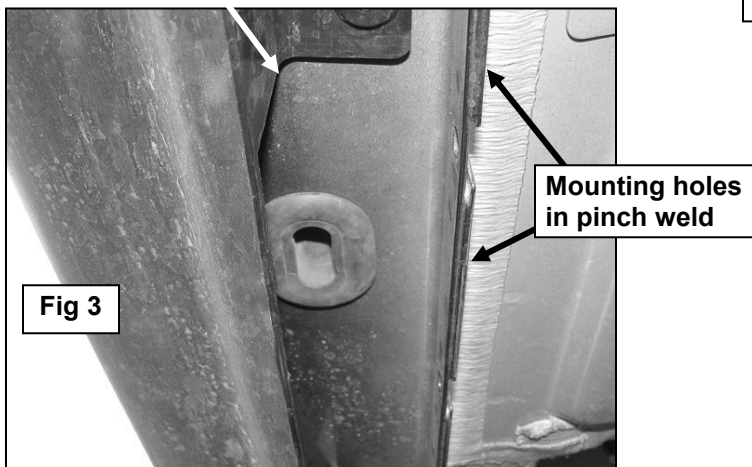


(Fig 1) Driver side front mounting location pictured

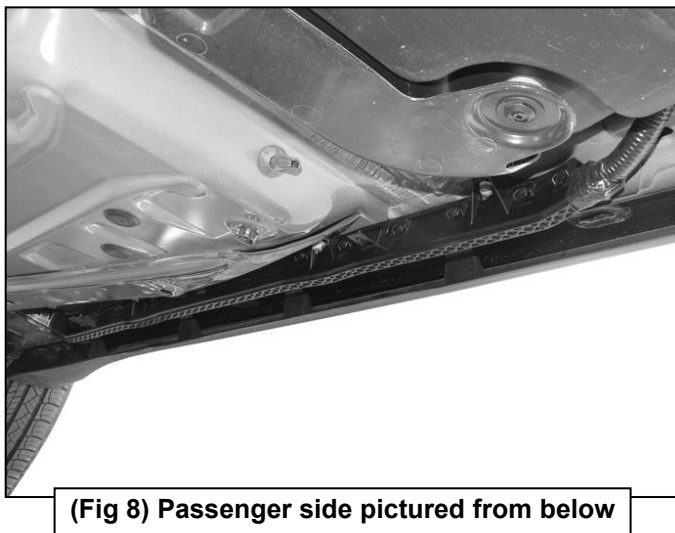
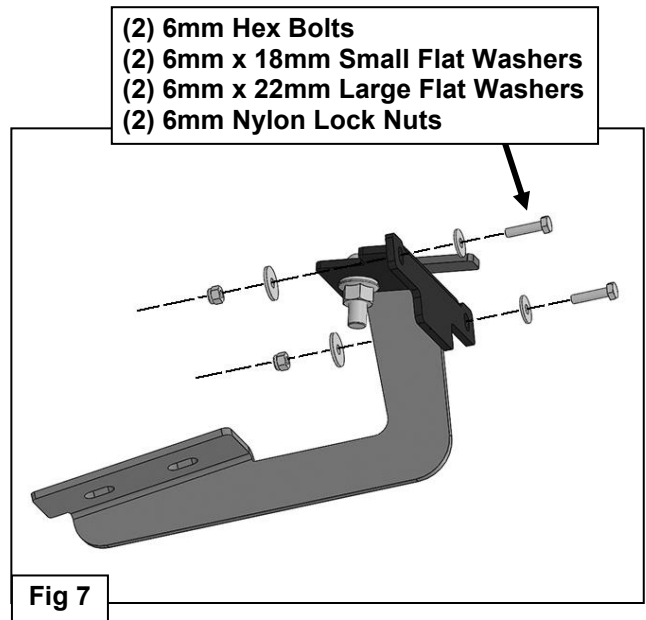
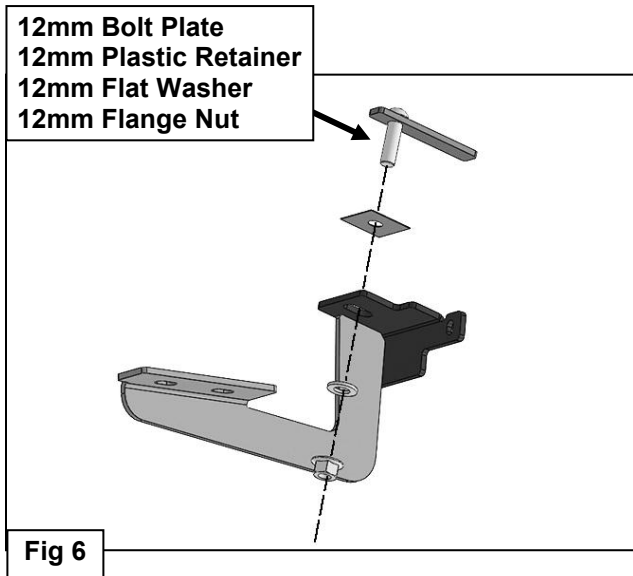
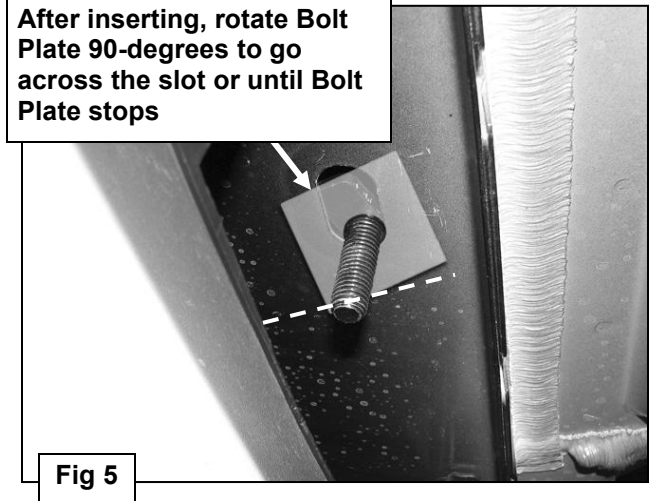
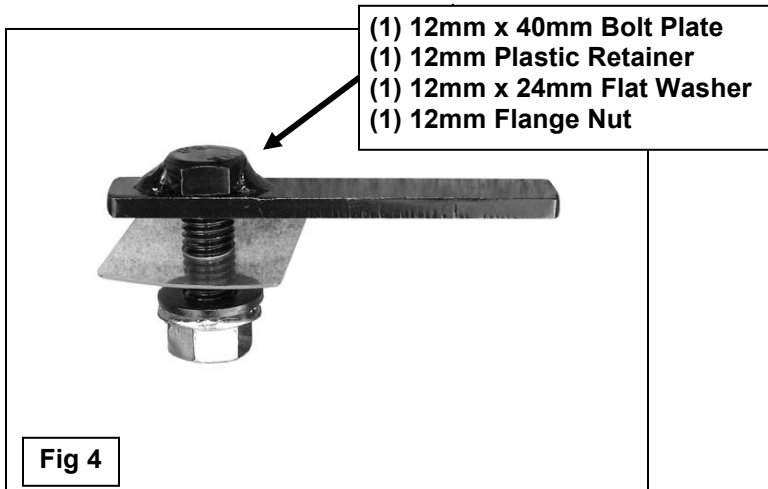
Remove rubber plugs



(Fig 2) Driver side rear mounting location pictured



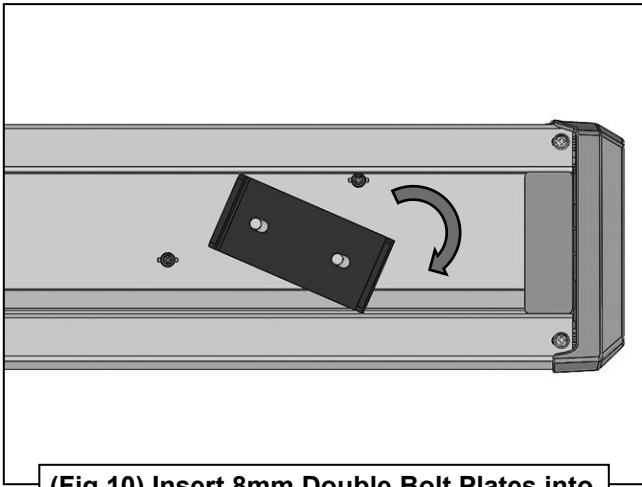
### Driver Side Installation Pictured



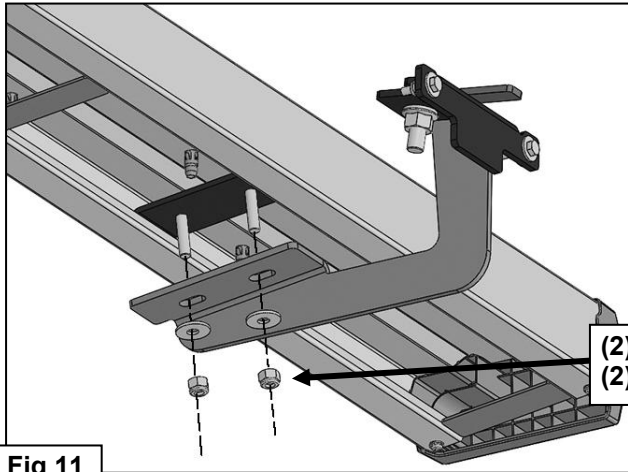


Remove hex nuts from wiring harness.  
Drop harness down to install Brackets.

(Fig 9) Passenger side pictured



(Fig 10) Insert 8mm Double Bolt Plates into  
tracks on the bottom of the Running Board



(2) 8mm Flat Washers  
(2) 8mm Nylon Lock Nuts

Fig 11