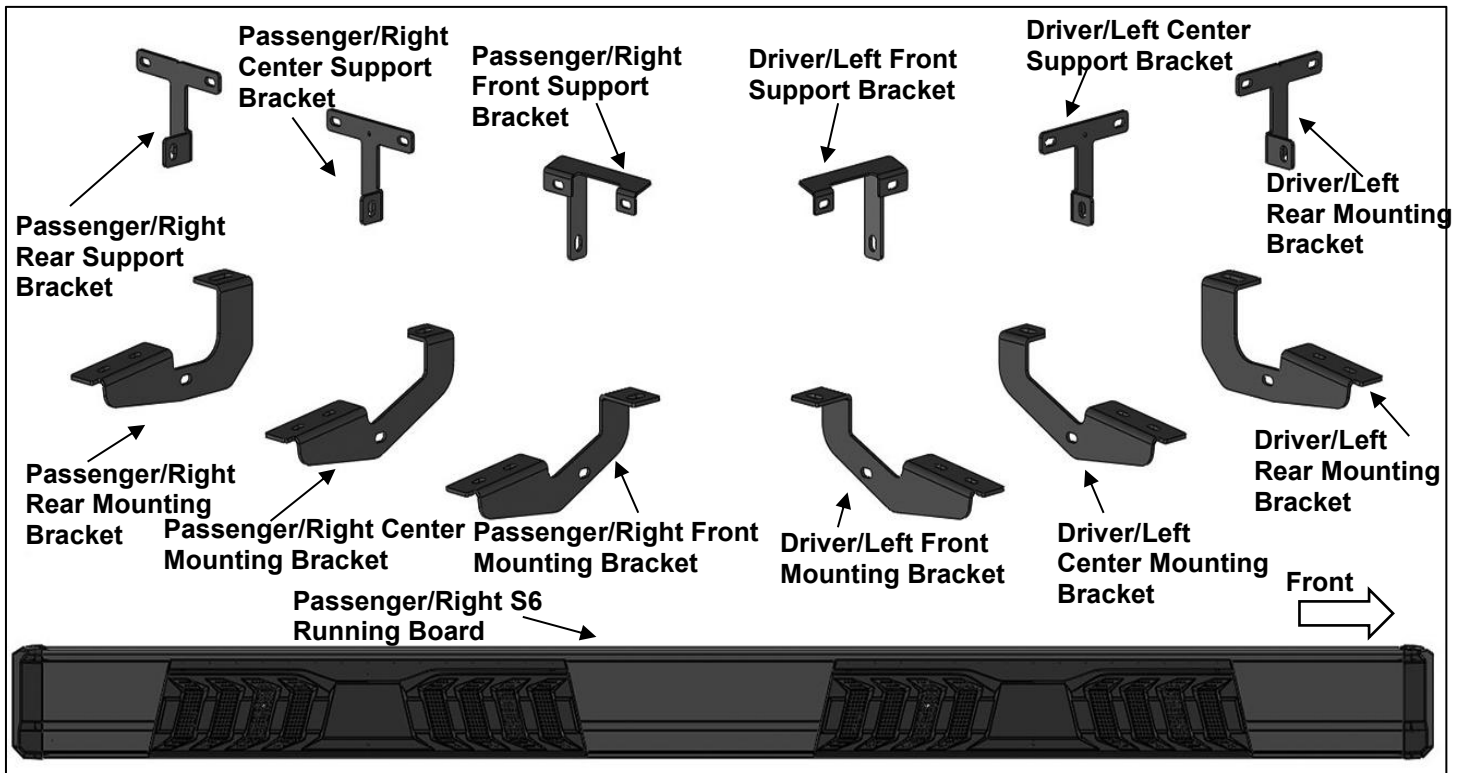


Parts List

1	Driver/Left S6 Running Board	1	Passenger/Right Rear Support Bracket
1	Passenger/Right S6 Running Board	6	10mm x 30mm Hex Bolts
1	Driver/Left Front Mounting Bracket	12	10mm x 24mm OD x 2.2mm Flat Washers
1	Passenger/Right Front Mounting Bracket	6	10mm Nylon Lock Nuts
1	Driver/Left Center Mounting Bracket	6	8mm x 35mm Double Bolt Plates
1	Passenger/Right Center Mounting Bracket	6	8mm x 35mm Hex Bolts
1	Driver/Left Rear Mounting Bracket	12	8mm Nylon Lock Nuts
1	Passenger/Right Rear Mounting Bracket	6	8mm Lock Washers
1	Driver/Left Front Support Bracket	6	8mm x 28mm OD x 3mm Flat Washers
1	Passenger/Right Front Support Bracket	12	8mm x 24mm OD x 2mm Flat Washers
1	Driver/Left Center Support Bracket	12	6mm x 25mm Hex Bolts
1	Passenger/Right Center Support Bracket	24	6mm x 22mm OD x 2mm Flat Washers
1	Driver/Left Rear Support Bracket	12	6mm Nylon Lock Nuts



PROCEDURE:

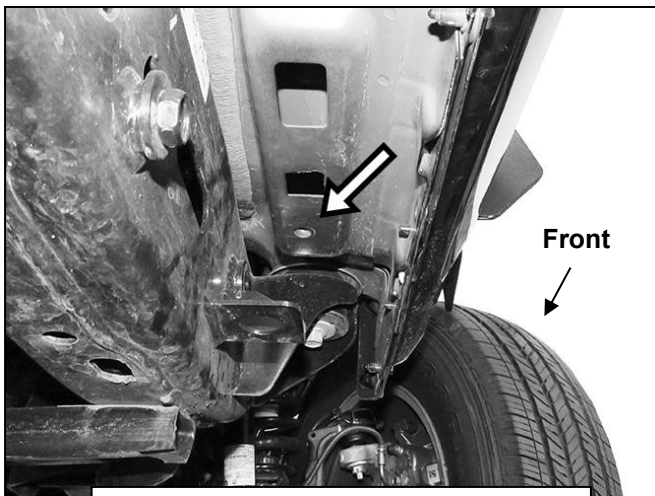
REMOVE CONTENTS FROM BOX. VERIFY ALL PARTS ARE PRESENT. READ INSTRUCTIONS CAREFULLY BEFORE STARTING INSTALLATION. FACTORY INSTALLED OR AFTERMARKET SIDE STEPS OR RUNNING BOARDS MUST BE REMOVED.

1. Start installation toward the front of the Passenger/Right side of the vehicle. Locate the factory threaded mounting hole in the bottom of the floor, **(Figure 1)**.
2. Select the Passenger/Right Front Mounting Bracket, **(Figure 2)**. **IMPORTANT:** Mounting Brackets look very similar but are unique. The Center Mounting Bracket has an angled edge on the top. The Rear Mounting Bracket has a notch in the bottom **(Figure 3)**.
3. Attach Passenger/Right Front Mounting Bracket to the threaded hole in the of the floor panel with (1) 8mm Hex Bolt, (1) 8mm Lock Washer and (1) 8mm Flat Washer, **(Figure 2)**. Do not tighten hardware.
4. Select the Passenger/Right Front Support Bracket. Attach the Support Bracket to the pinch weld with (2) 6mm Hex Bolts, (4) 6mm Flat Washers and (2) 6mm Nylon Lock Nuts. Attach the Support Bracket to the Mounting Bracket with (1) 10mm Hex Bolt, (2) 10mm Flat Washers and (1) 10mm Nylon Lock Nut, **(Figures 4 & 5)**. Do not tighten hardware.

5. Move to the #2 center location, (**Figure 6**). Repeat **Steps 3 & 4** to attach the Center Mounting Bracket and the Center Support Bracket, (**Figures 6**). **NOTE:** The Center Mounting Bracket has a flat top and the Rear Mounting Bracket has a notch, (**Figure 7**).
6. Move to the rear location, (**Figure 8**). Repeat **Steps 3 & 4** to attach the Rear Mounting Bracket and the Rear Support Bracket to the rear location.
7. Select the Passenger/Right S6 Running Board. Select (3) Double Bolt Plates. Insert the Bolt Plates into the channel in the bottom of the Running Board closest to the Brackets, (**Figure 9**). Lift the Running Board up and guide the studs through the Brackets. **IMPORTANT:** Do not slide, (front to back), the Running Board on the Brackets or damage to the finish may result.
8. Carefully place Running Board onto the Mounting Brackets. Attach the Running Board to the Mounting Brackets with (6) 8mm Flat Washers and (6) 8mm Nylon Lock Nuts, (**Figure 10**). Do not tighten hardware.
9. Adjust and level the S6 Running Board and fully tighten all hardware.
10. Repeat **Steps 2—9** to attach the Driver/Left S6 Running Board.
11. Do periodic inspections to the installation to make sure that all hardware is secure and tight.

To protect your investment, Do not use any type of polish or wax that may contain abrasives that could damage the finish. Mild soap may be used to clean the Running Boards.

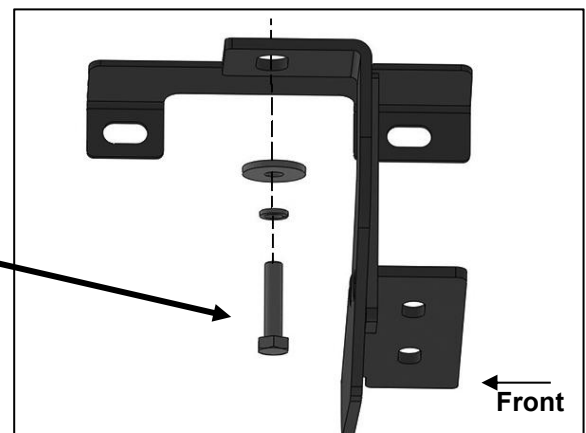
Passenger/Right Installation Pictured



(Fig 1) Passenger/Right front location

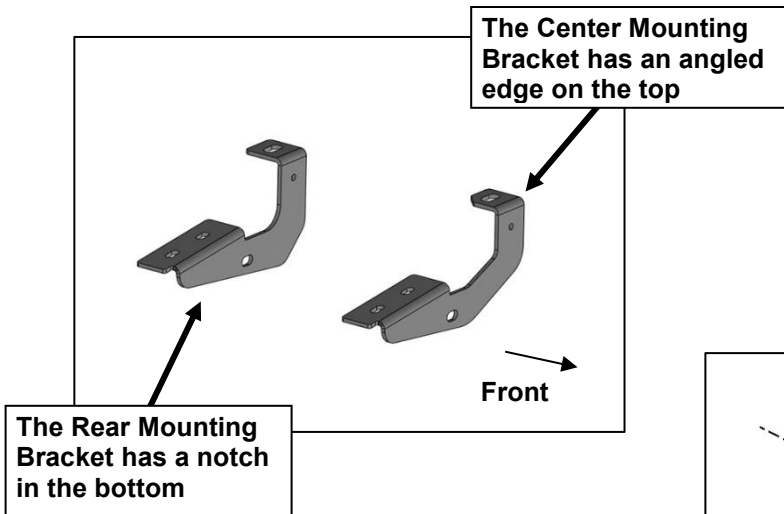
The front Mounting bracket has a longer mounting tab than the Center and Rear Mounting Bracket

8mm Hex Bolt
8mm Lock Washer
8mm Flat Washer

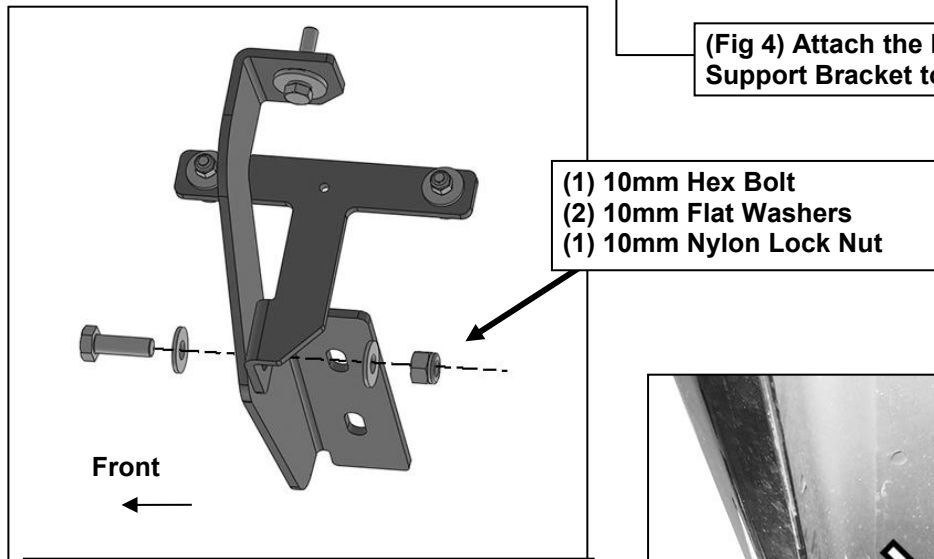
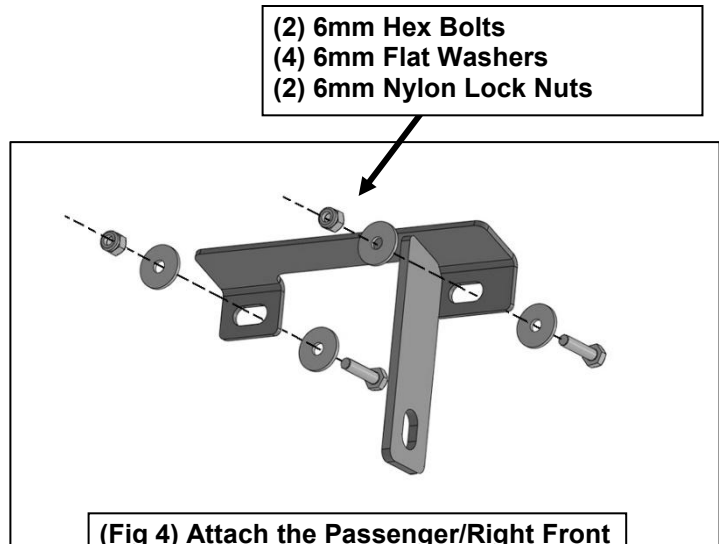


(Fig 2) Attach the Passenger/Right Front Mounting Bracket to the front location

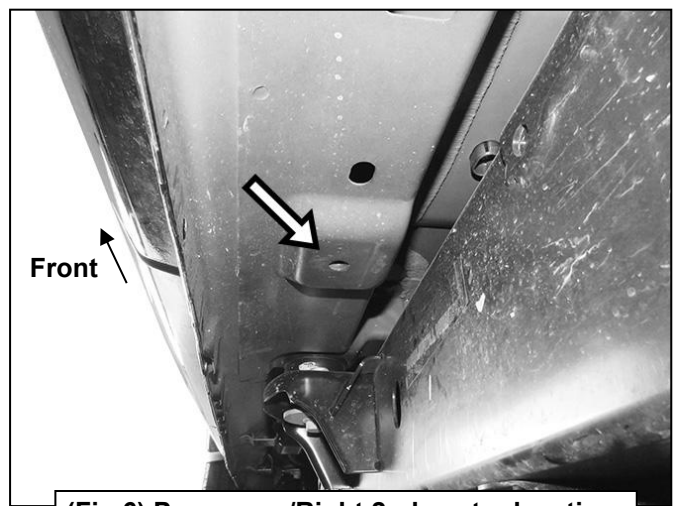
Passenger/Right Installation Pictured



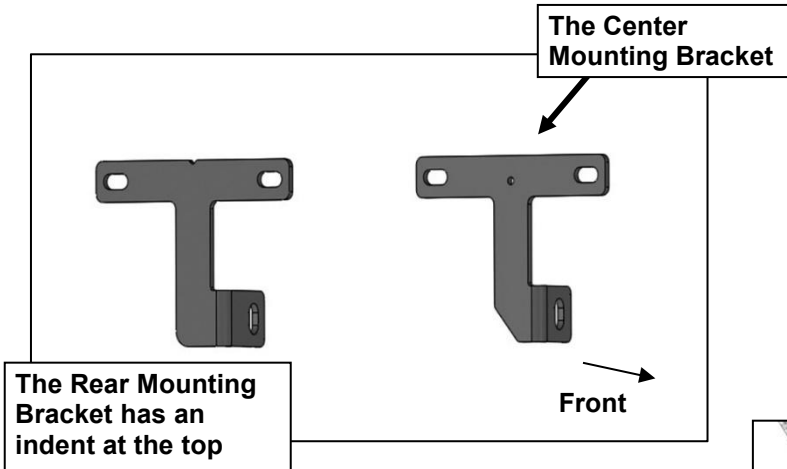
(Fig 3) The Center and Rear Support Brackets are similar but are unique



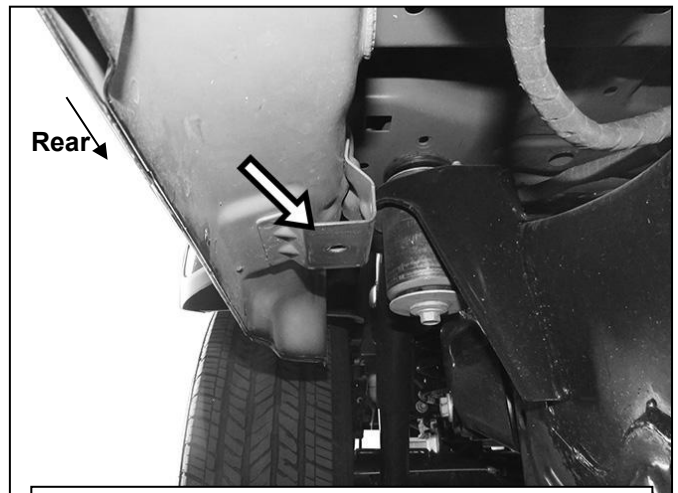
(Fig 5) Attach the Passenger/Right Support Bracket to the Mounting Bracket



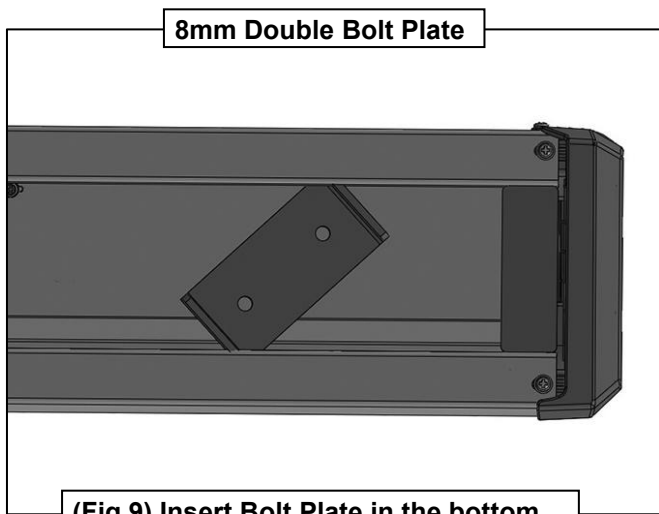
Passenger/Right Installation Pictured



(Fig 7) The Center and Rear Support Brackets are similar but are unique

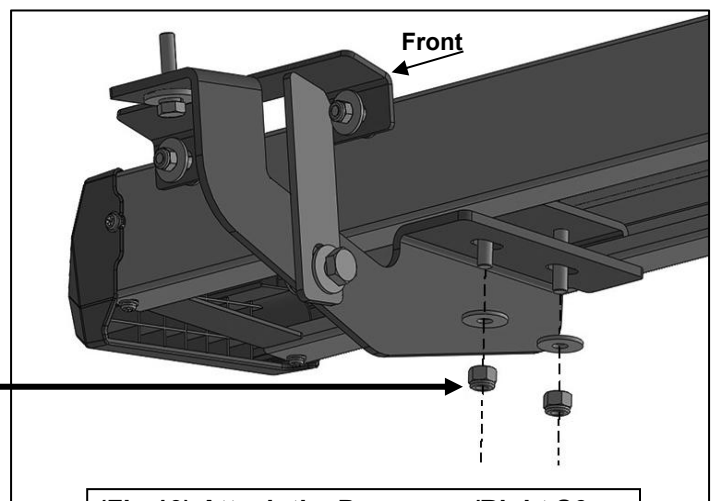


(Fig 8) Passenger/Right rear mounting location



(Fig 9) Insert Bolt Plate in the bottom of the channel on the Running Board

- (2) 8mm Flat Washers
- (2) 8mm Nylon Lock Nuts



(Fig 10) Attach the Passenger/Right S6 Running Board to the Mounting Brackets