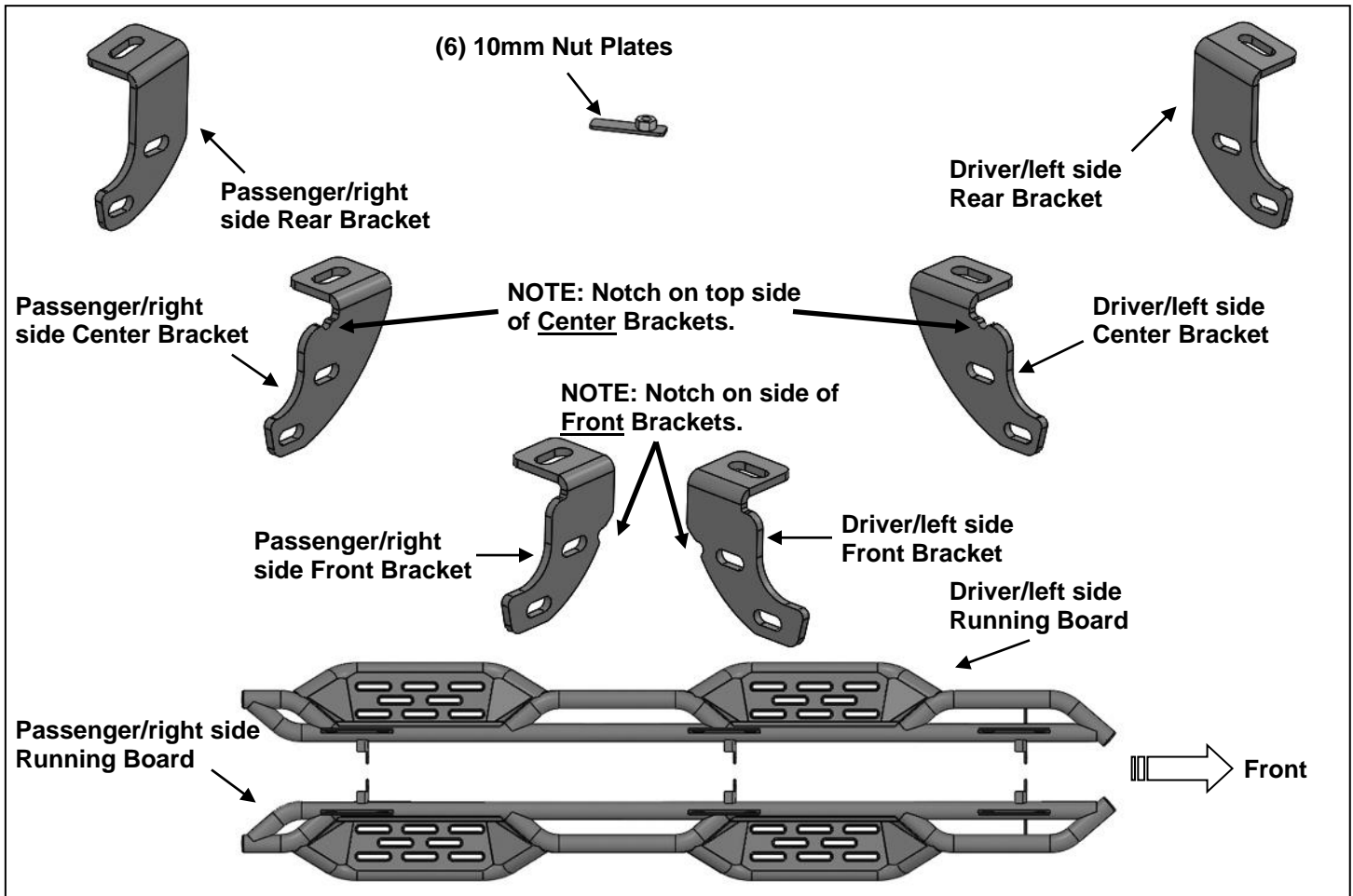


PARTS LIST:

1	Driver/left NB1 Running Board	6	10mm x 34mm x 3mm Flat Washers
1	Passenger/right NB1 Running Board	24	10mm x 27mm x 3mm Flat Washers
1	Driver/left Front Mounting Bracket	6	10mm Lock Washers
1	Passenger/right Front Mounting Bracket	12	10-1.5mm Nylon Lock Nuts
1	Driver/left Center Mounting Bracket	6	8-1.25mm x 35mm Hex Bolts
1	Passenger/right Center Mounting Bracket	6	8mm x 28mm x 3mm Flat Washers
1	Driver/left Rear Mounting Bracket	6	8mm Lock Washers
1	Passenger/right Rear Mounting Bracket	12	6-1.0mm x 25mm Hex Bolts
6	10-1.5mm Nut Plates	24	6mm x 22mm x 2mm Flat Washers
18	10-1.5mm x 35mm Hex Bolts	12	6-1.0mm Nylon Lock Nuts



PROCEDURE:

1. REMOVE CONTENTS FROM BOX. VERIFY ALL PARTS ARE PRESENT. READ INSTRUCTIONS CAREFULLY. FACTORY INSTALLED OR AFTERMARKET "ROCK RAILS," SIDE STEPS OR RUNNING BOARDS MUST BE REMOVED.
2. Start installation toward the front of the passenger side of the vehicle. Determine if the vehicle has an open floor panel or a threaded hole in the floor panel, (Figures 1 & 4).

Vehicles with open mounting location:

- a. Insert (1) 10mm Nut Plate into the large square opening in the floor panel. Line up the threaded nut with the hole in between the pair of holes on the pinch weld, (Figures 1A, 1B & 2).
- b. Repeat **Step 2a** to insert (1) 10mm Nut Plate into the center and rear opening on the floor panel, (Figure 3).

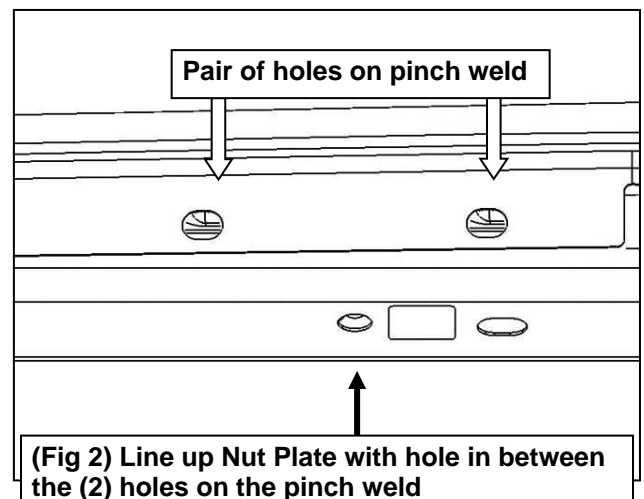
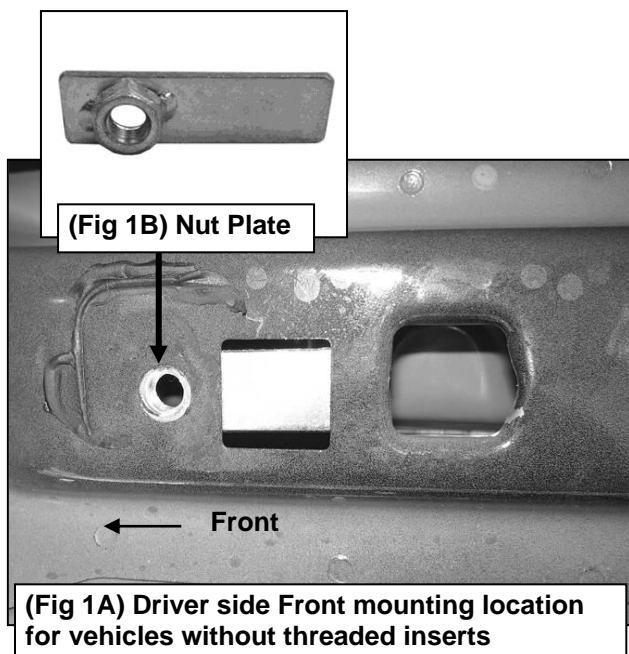
Vehicles with factory threaded hole in floor panel:

- a. Locate the front, center and rear mounting locations, (Figures 4 & 5). Continue to **Step 3**.

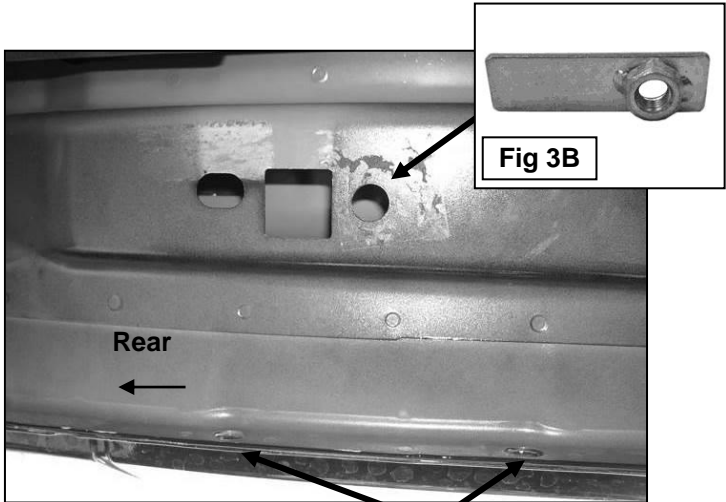
3. Select and place the Driver/left side Front Bracket and the Driver/left side Running Board on a stable clean flat surface. **NOTE:** Use the illustration above and **Figure 6** to help determine the correct Bracket and Running Board. Use the included (2) 10mm Hex Bolts, (4) 10mm x 27mm Flat Washers and (2) 10mm Nylon Lock Nuts to attach the rear facing side of the Bracket to the front side of the welded bracket on the Running Board, (**Figure 7**). Do not tighten hardware at this time.
4. Repeat **Step 3** to attach the passenger/right side Center and Rear Brackets to the front side of the welded brackets on the Running Board.
5. With assistance, position the mounting plates on the Running Board with the attached Mounting Brackets up to the **back** of the pinch weld. Line up the (3) mounting plates on the Running Board with the (3) pairs of holes on the pinch weld, (**Figures 8—10**).
6. Secure the Running Board to the **back** of the pinch weld using (6) 6mm Hex Bolts, (12) 6mm Flat Washers and (6) 6mm Nylon Lock Nuts, (**Figures 8—10**). **NOTE:** Insert bolts from the outside of the pinch weld and through the mounting plate.
7. **Vehicles with open mounting location:** Bolt the tab on the Mounting Brackets to the Nut Plates with (3) 10mm x 35mm Hex Bolts, (3) 10mm Lock Washers and (3) 10mm x 34mm Large Flat Washers, (**Figure 11**). Do not tighten hardware at this time.
8. **Vehicles with factory threaded hole in floor panel:** Bolt the tab on the Mounting Brackets to the threaded holes in the floor panel with (3) 8mm x 35mm Hex Bolts, (3) 8mm Lock Washers and (3) 8mm x 28mm Large Flat Washers, (**Figures 12—15**). Do not tighten hardware at this time.
9. Level and adjust the Running Board and tighten all hardware.
10. Repeat **Steps 2—9** for Passenger/right side Running Board installation.
11. Do periodic inspections to the installation to make sure that all hardware is secure and tight.

To protect your investment, wax this product after installing. Regular waxing is recommended to add a protective layer over the finish. Do not use any type of polish or wax that may contain abrasives that could damage the finish. Mild soap may be used to clean the Running Board.

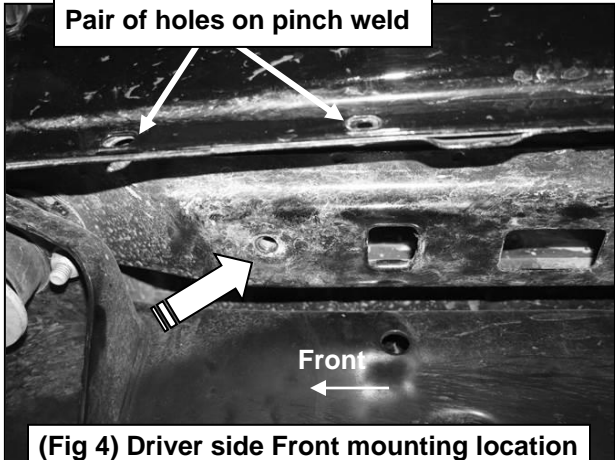
Driver Side Installation Pictured



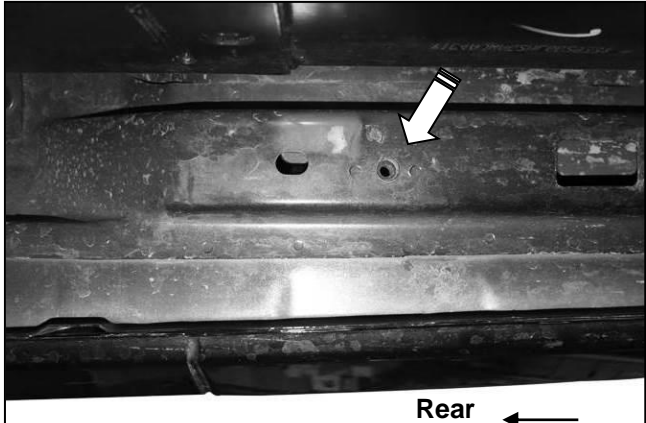
Driver Side Installation Pictured



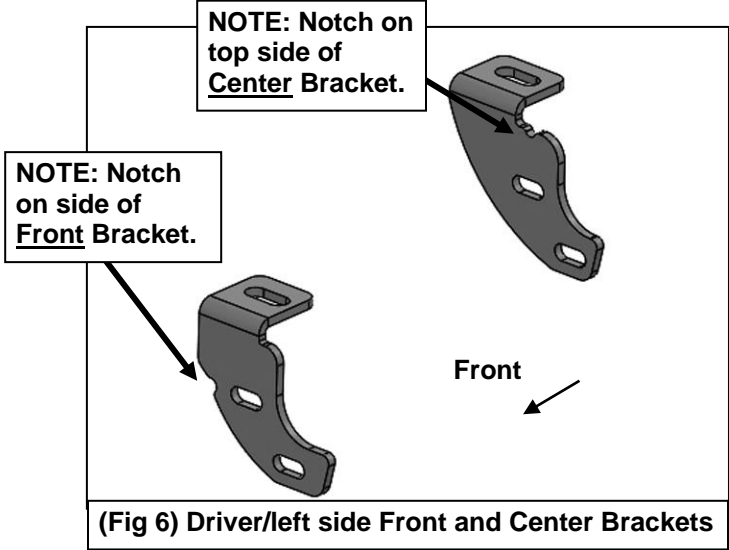
(Fig 3A) Line up Nut Plate with the hole in between the pair of (2) holes on the pinch weld



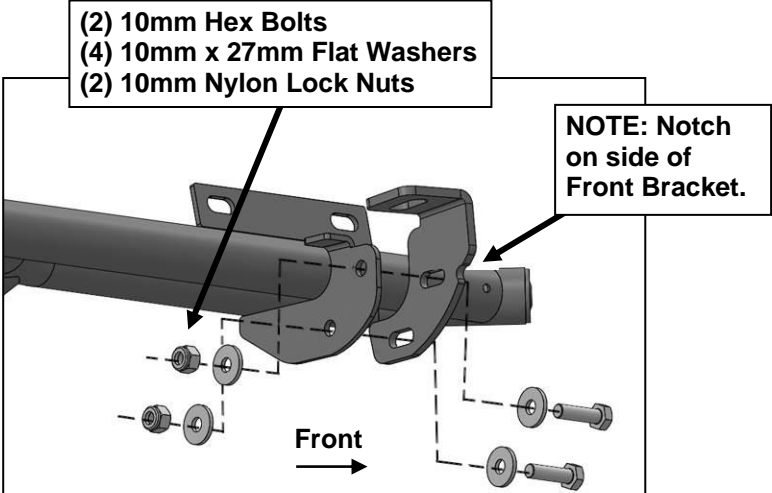
(Fig 4) Driver side Front mounting location for vehicles with threaded insert



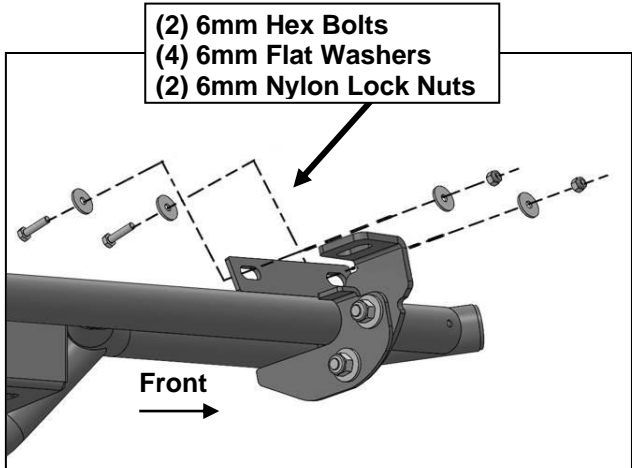
(Fig 5) Driver side Rear mounting location for vehicles with threaded insert



(Fig 6) Driver/left side Front and Center Brackets



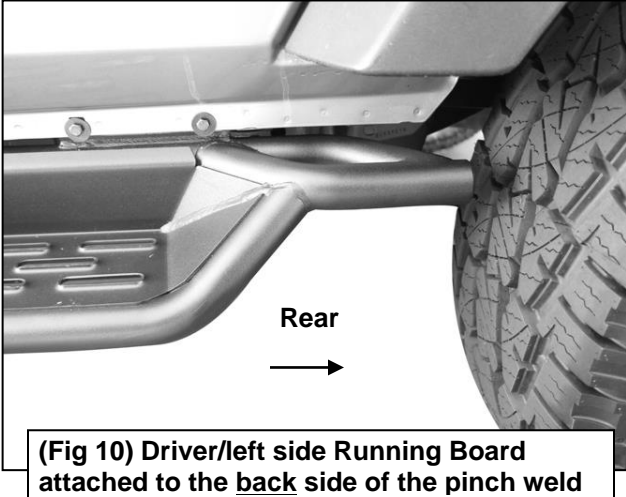
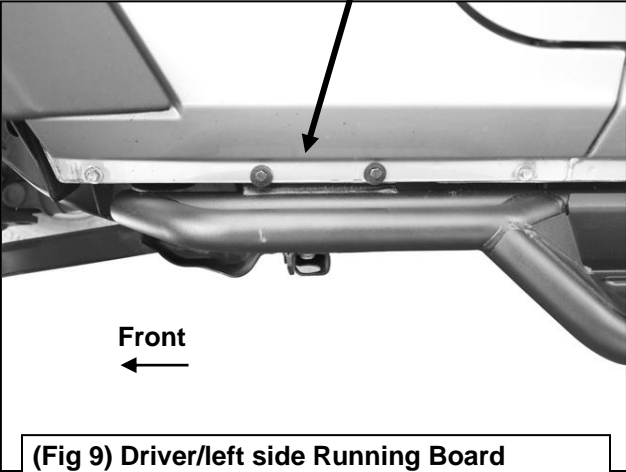
(Fig 7) Driver side Running Board attached to the back side of the pinch weld illustrated



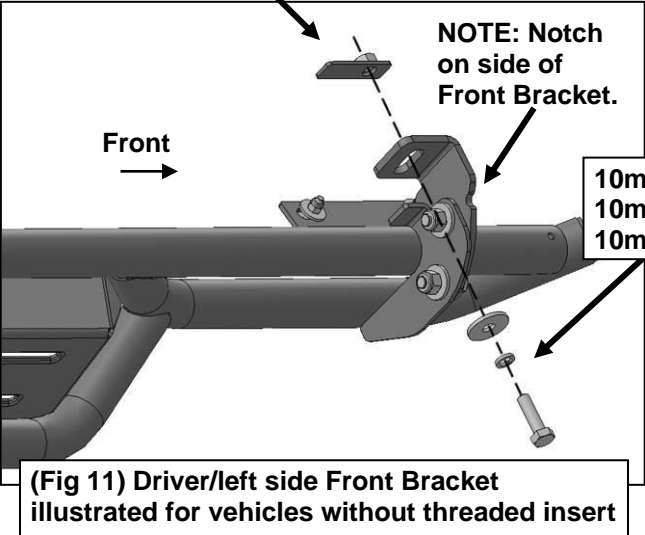
(Fig 8) Driver side Running Board attached to the back side of the pinch weld illustrated

Driver Side Installation Pictured

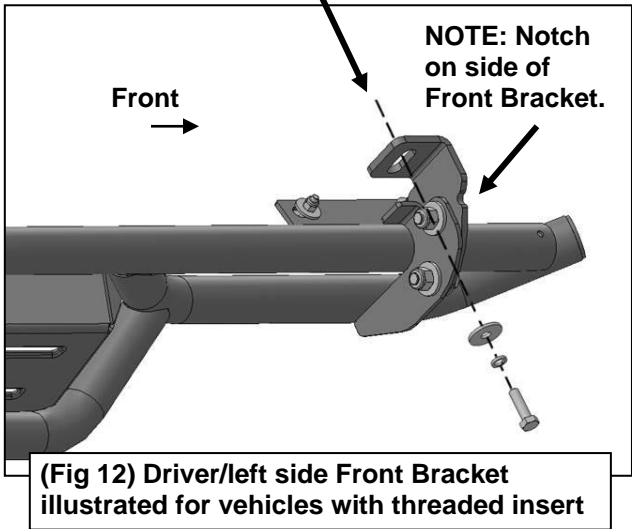
- (2) 6mm Hex Bolts
- (4) 6mm Flat Washers
- (2) 6mm Nylon Lock Nuts



Use Nut Plate for models without threaded insert

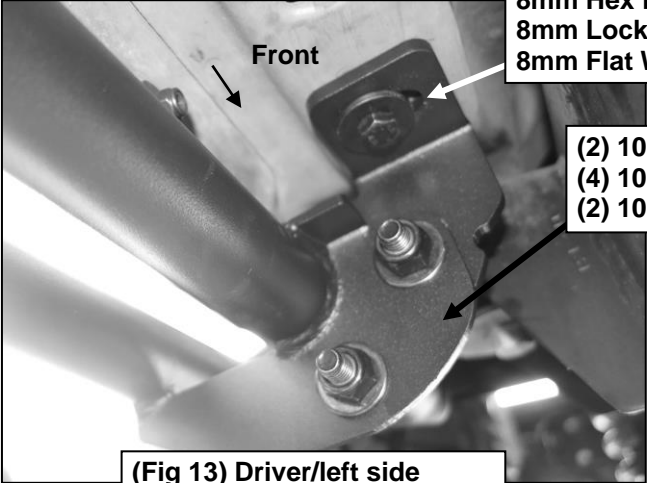


- Vehicles with threaded insert:
- 8mm Hex Bolt
- 8mm Lock Washer
- 8mm Flat Washer



Driver Side Installation Pictured

Vehicles with threaded insert:
8mm Hex Bolt
8mm Lock Washer
8mm Flat Washer

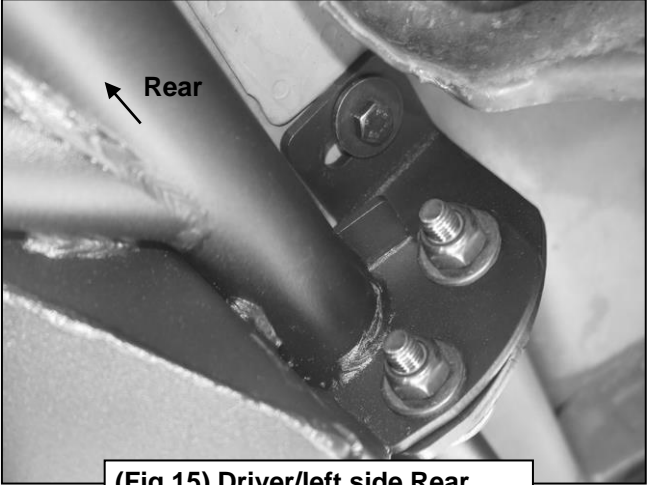


(Fig 13) Driver/left side Front installation complete

(2) 10mm Hex Bolts
(4) 10mm x 27mm Flat Washers
(2) 10mm Nylon Lock Nuts



(Fig 14) Driver/left side Center installation complete



(Fig 15) Driver/left side Rear installation complete



Complete Installation