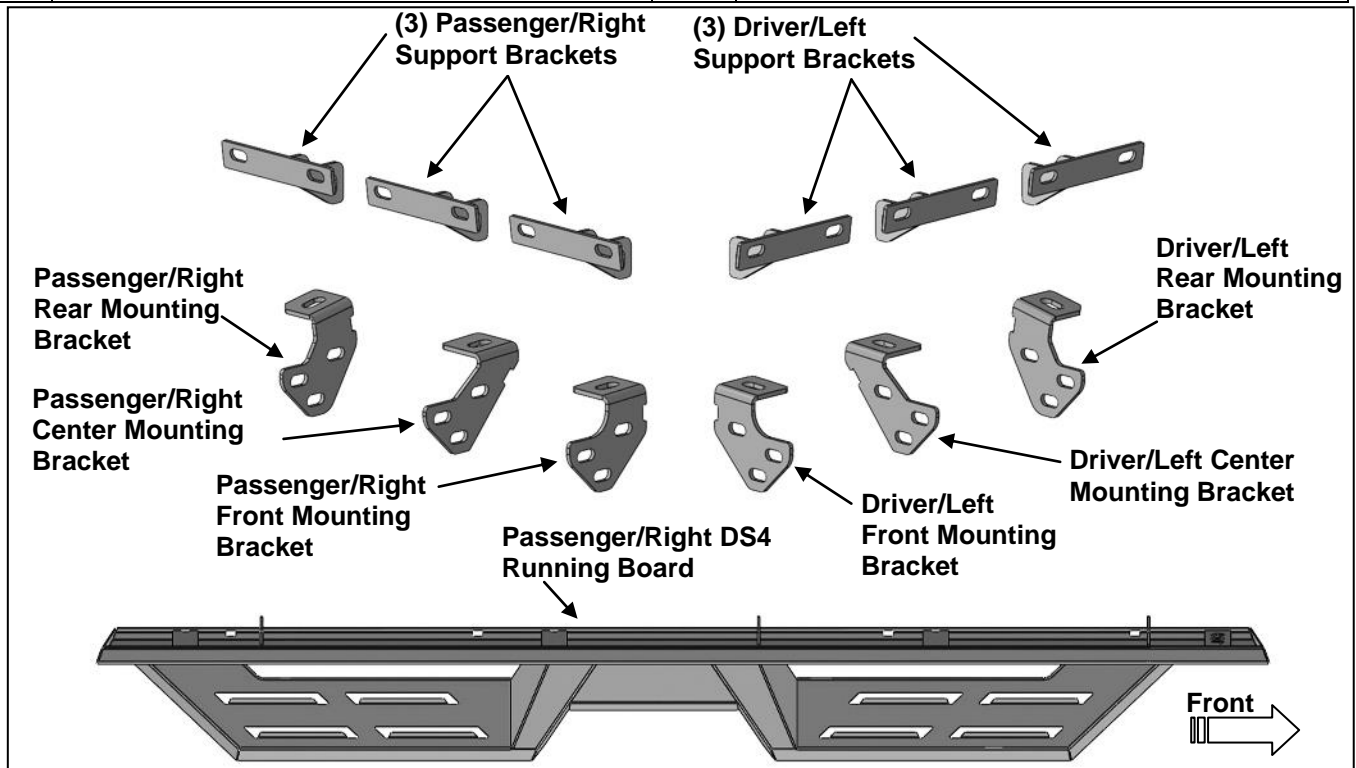


PARTS LIST:

1	Driver/Left DS4 Running Board	6	10mm x 34mm OD x 3mm Large Flat Washers
1	Passenger/Right DS4 Running Board	36	10mm x 20mm OD x 2mm Small Flat Washers
1	Driver/Left Front Mounting Bracket	6	10mm Lock Washers
1	Passenger/Right Front Mounting Bracket	18	10mm Nylon Lock Nuts
1	Driver/Left Center Mounting Bracket	6	10mm Nut Plates
1	Passenger/Right Center Mounting Bracket	6	8mm x 35mm Hex Bolts
1	Driver/Left Rear Mounting Bracket	6	8mm Lock Washers
1	Passenger/Right Rear Mounting Bracket	6	8mm x 28mm OD x 3mm Flat Washers
3	Driver/Left Support Brackets	12	6mm x 25mm Hex Bolts
3	Passenger/Right Support Brackets	24	6mm x 22mm OD x 2mm Flat Washers
6	10mm x 35mm Hex Bolts	12	6mm Nylon Lock Nuts
18	10mm x 30mm Hex Bolts		



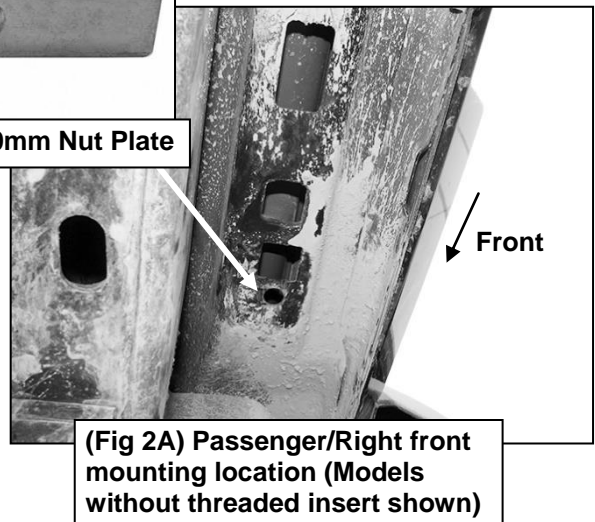
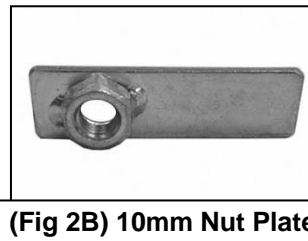
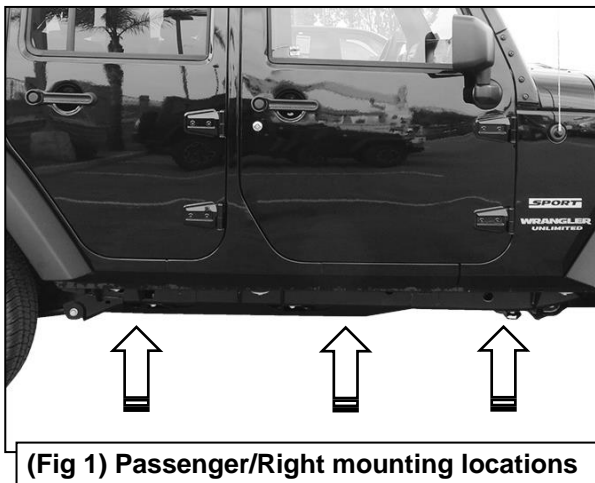
PROCEDURE:

1. REMOVE CONTENTS FROM BOX. VERIFY ALL PARTS ARE PRESENT. READ INSTRUCTIONS CAREFULLY. FACTORY INSTALLED OR AFTERMARKET PRODUCT MUST BE REMOVED.
2. Start installation toward the front of the Passenger/Right side of the vehicle, **(Figure 1)**.
3. **IMPORTANT:** The Mounting Brackets look similar but are all unique. The Front Mounting Bracket has an angled back. The Center Mounting Bracket has a flat diagonal back. The Rear Mounting Bracket has a cut in the mounting tab, **(Figure 3)**.
4. **Determine if vehicle is equipped with threaded mounting inserts**
 - Vehicles without threaded inserts:**
 - a. Insert (1) 10mm Nut Plate into the large square opening in the floor panel. Line up the threaded nut with the hole in between the pair of holes on the pinch weld, **(Figures 2A & 2B)**.
 - b. Select the Passenger/Right Front Mounting Bracket.
 - c. Attach the Bracket to the Nut Plate with (1) 10mm x 35mm Hex Bolt, (1) 10mm Lock Washer and (1) 10mm x 34mm Large Flat Washer, **(Figure 4)**. Do not tighten hardware.
 - Vehicles with factory threaded hole in floor panel:**

- a. Locate the front, center and rear mounting locations, **(Figure 1)**.
 - b. Select the Passenger/Right Front Mounting Bracket.
 - c. Attach the Bracket to the front mounting location with (1) 8mm Hex Bolt, (1) 8mm Lock Washer and (1) 8mm Flat Washer, **(Figure 5)**. Do not tighten hardware.
5. Select (1) Passenger/Right Support Bracket. Attach the Bracket to the pinch weld with (2) 6mm Hex Bolts, (4) 6mm Flat Washers and (2) 6mm Nylon Lock Nuts, **(Figure 6)**. Do not tighten hardware.
 6. Attach the Support Bracket to the Mounting Bracket with (1) 10mm x 30mm Hex Bolt, (2) 10mm x 20mm Small Flat Washers and (1) 10mm Nylon Lock Nut, **(Figure 7)**. Do not tighten hardware.
 7. Repeat **Steps 3—6** to attach the Bracket assemblies to the center and rear locations, **(Figures 8A, 8B & 9)**. Do not tighten hardware.
 8. Select the Passenger/Right DS4 Running Board. With assistance, attach the Running Board to the rear faces of the Mounting Brackets with (6) 10mm x 30mm Hex Bolts, (12) 10mm x 20mm Small Flat Washers, (6) 10mm Nylon Lock Nuts, **(Figure 10)**. Do not tighten hardware.
 9. Level and adjust the Running Board and tighten all hardware.
 10. Repeat **Steps 1—9** to attach the Driver/Left DS4 Running Board.
 11. Do periodic inspections to the installation to make sure that all hardware is secure and tight.

To protect your investment, Do not use any type of polish or wax that may contain abrasives that could damage the finish. Mild soap may be used to clean the DS4 Running Board.

Passenger/Right Side Installation Pictured

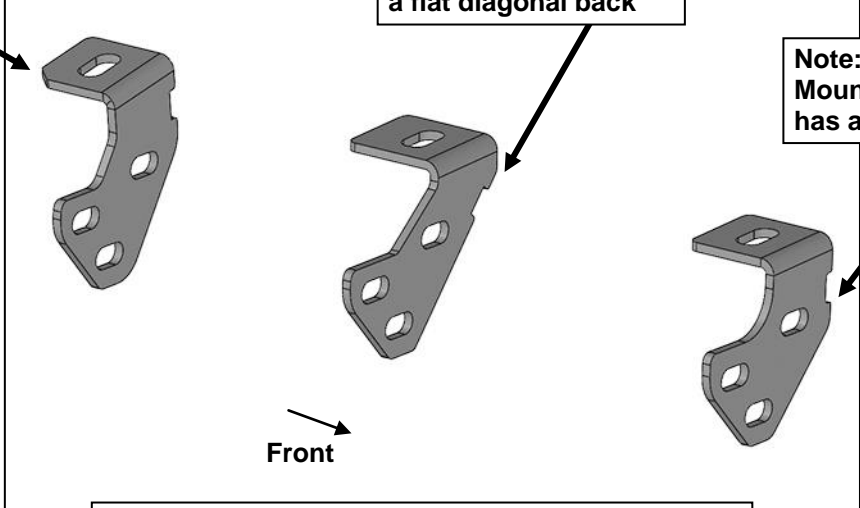


Passenger/Right Side Installation Pictured

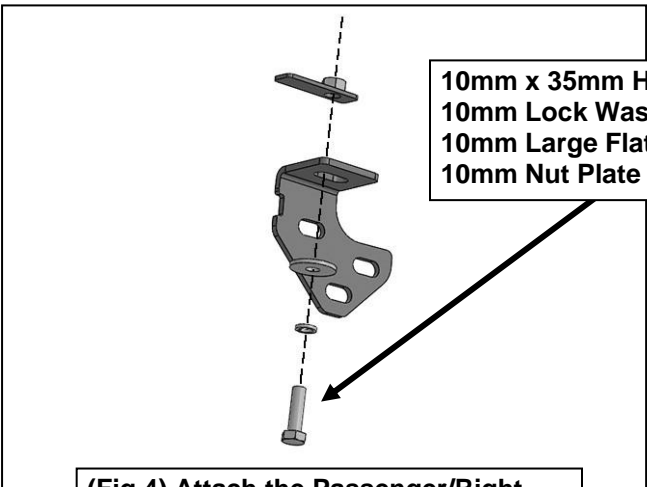
Note: The Rear Bracket has a cut on the mounting tab

Note: The Center Mounting Bracket has a flat diagonal back

Note: The Front Mounting Bracket has an angled back

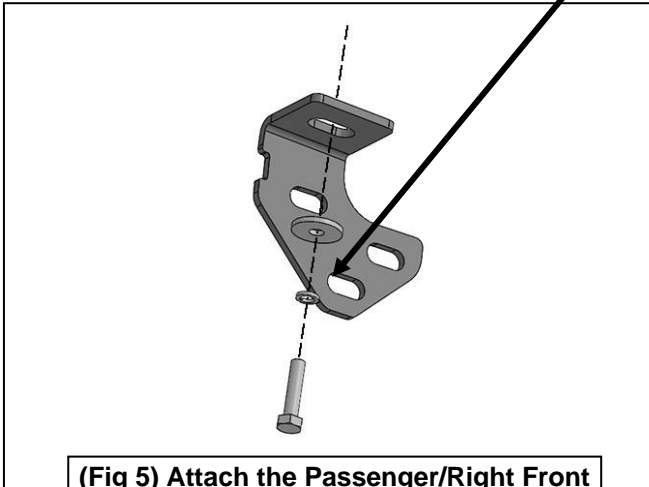


(Fig 3) Passenger/Right Mounting Brackets shown



10mm x 35mm Hex Bolt
10mm Lock Washer
10mm Large Flat Washer
10mm Nut Plate

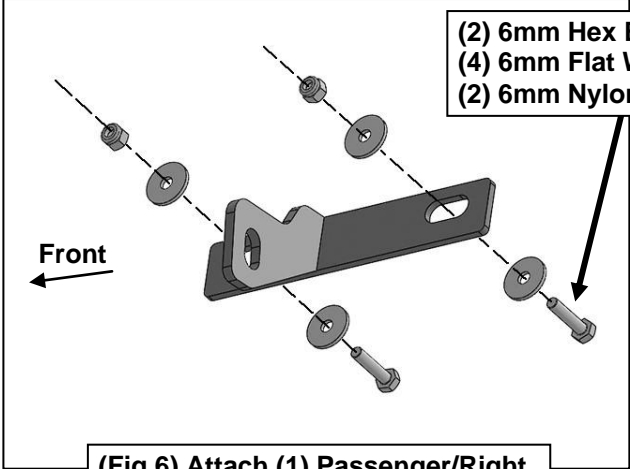
(Fig 4) Attach the Passenger/Right Front Mounting Bracket to the front location (Nut Plate installation shown)



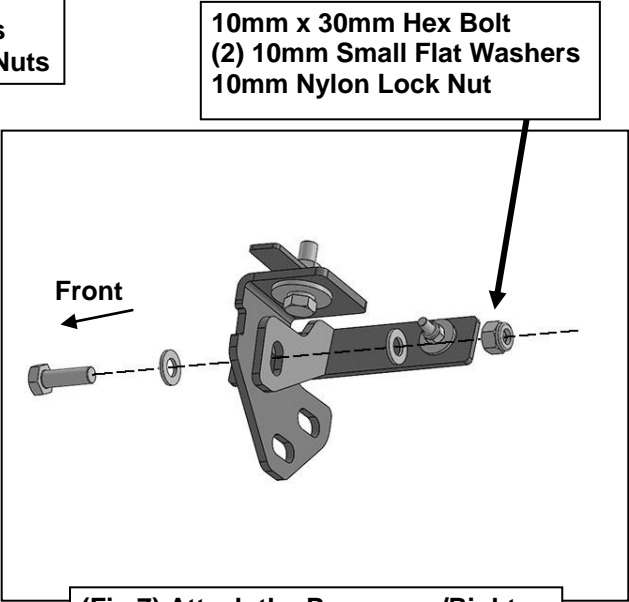
8mm Hex Bolt
8mm Lock Washer
8mm Flat Washer

(Fig 5) Attach the Passenger/Right Front Mounting Bracket to the front location (Threaded hole installation shown)

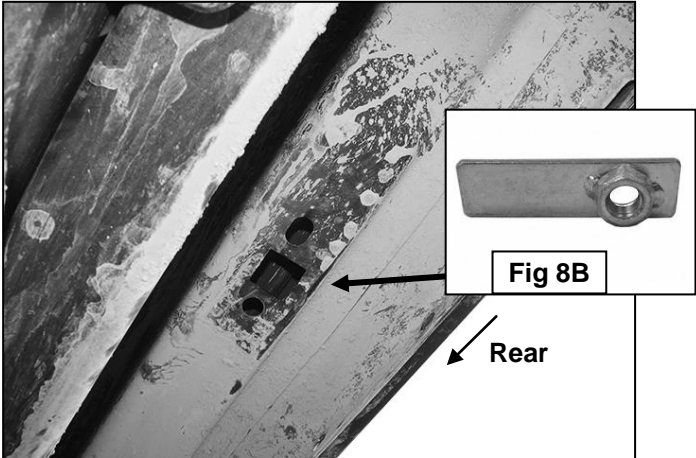
Passenger/Right Side Installation Pictured



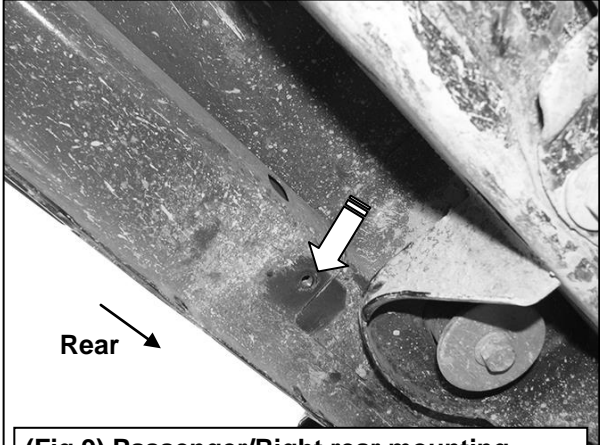
(Fig 6) Attach (1) Passenger/Right Support Bracket to the pinch weld



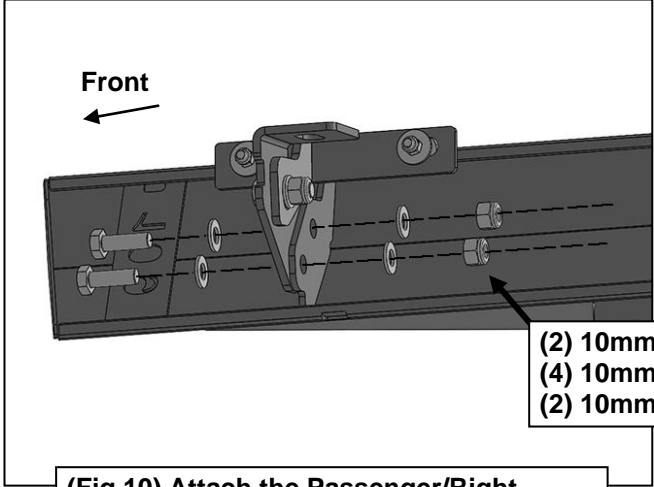
(Fig 7) Attach the Passenger/Right Front Mounting Bracket to the Front mounting location (Example of model with threaded inserts)



(Fig 8A) Passenger/Right center mounting location (Model without threaded insert shown)



(Fig 9) Passenger/Right rear mounting location (Model with threaded inset shown)



(Fig 10) Attach the Passenger/Right Running Board to the Mounting Brackets