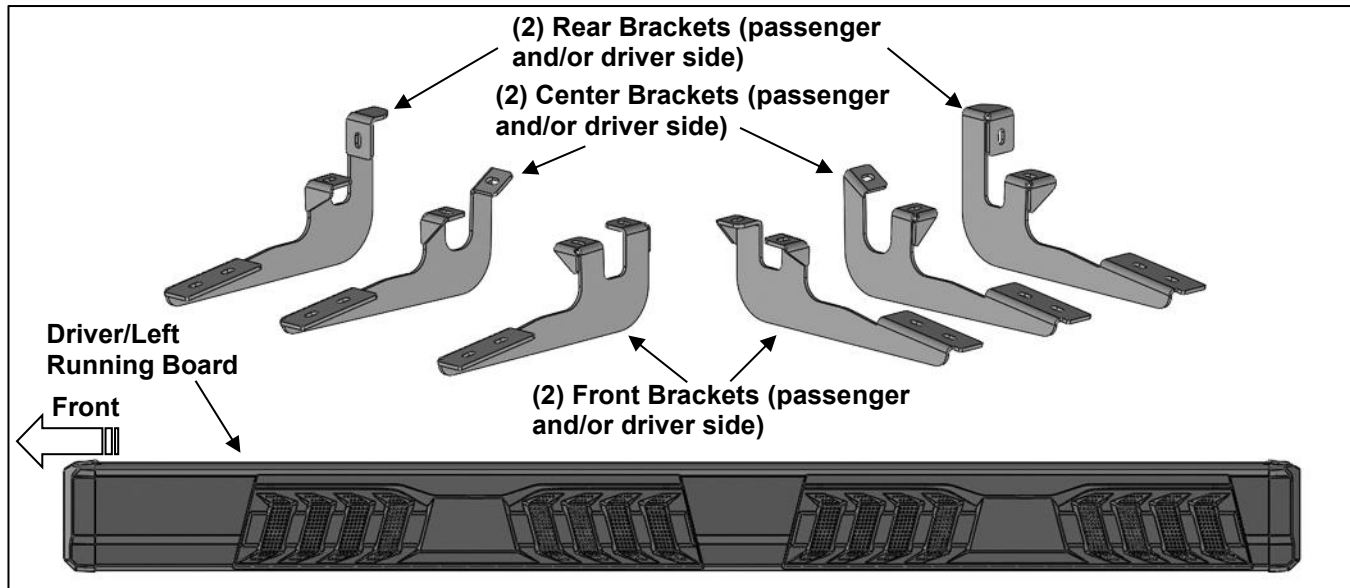


**PARTS LIST:**

1	Driver/Left S6 Running Board	6	8mmx 35mm Double Bolt Plate
1	Passenger/Right S6 Running Board	12	8mm x 25mm Hex Bolts
2	Front Mounting Brackets	24	8mm x 24mm OD x 2mm Flat Washers
2	Center Mounting Brackets	12	8mm Lock Washers
2	Rear Mounting Brackets	12	8mm Nylon Lock Nuts

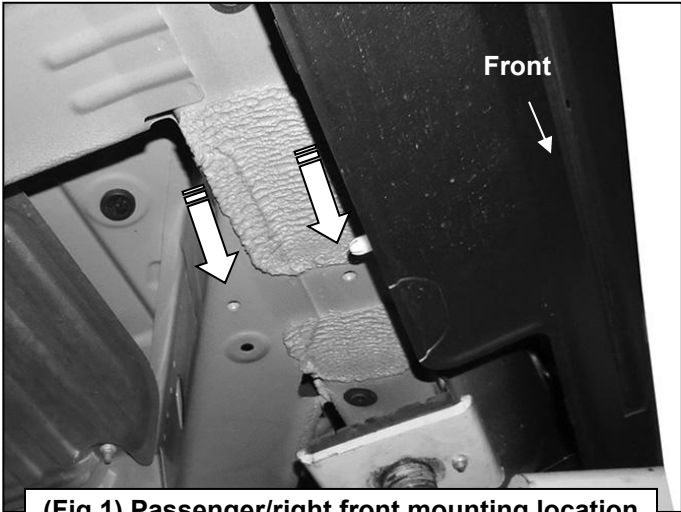


**PROCEDURE:**

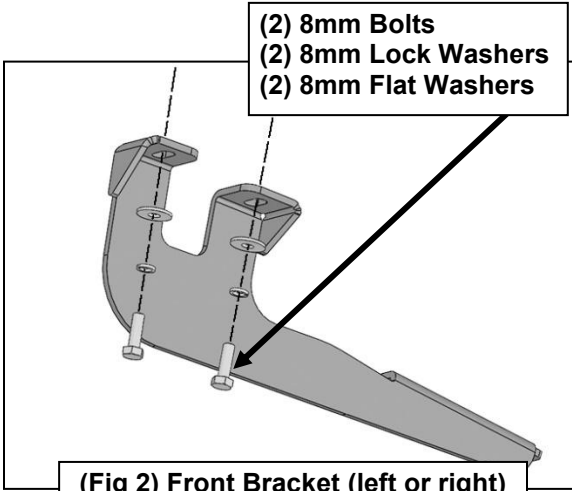
- 1. REMOVE CONTENTS FROM BOX. VERIFY ALL PARTS ARE PRESENT. READ INSTRUCTIONS CAREFULLY BEFORE STARTING INSTALLATION.**
- Starting on the passenger side front of the vehicle, locate the two factory 8mm threaded holes located in the bottom of the floor panel, **(Figure 1)**. **NOTE:** Brackets install in the factory running board mounting locations. Threaded holes may be covered with insulation. Clean mounting locations as required for proper Bracket installation.
- Select (1) Front Mounting Bracket, **(Figure 2)**. **NOTE:** Brackets will fit left or right side. Attach the Bracket to the two threaded holes with (2) 8mm x 25mm Hex Bolts, (2) 8mm Lock Washers and (2) 8mm Flat Washers, **(Figure 3)**. Snug but do not tighten hardware at this time.
- Move to the center of the vehicle. Locate the two threaded holes in the bottom of the floor panel and body support panel, **(Figure 4)**. Repeat **Steps 2 & 3** to attach (1) Center Bracket, **(Figures 5 & 6)**.
- Next, move to the passenger/right rear of the vehicle. Locate the holes in the bottom and inner side of the floor panel, **(Figure 7)**. Repeat **Steps 2 & 3** to install (1) Rear Bracket, **(Figures 8 & 9)**.
- Unwrap the Driver/Left S6 Running Board. Select (3) 8mm Double Bolt Plates, **(Figure 10)**. Insert the Bolt Plates into the channel in the bottom of the Running Board.
- Place the Running Board on top of the (3) Mounting Brackets. Lift the Running Board up and guide the studs down through the Brackets. **IMPORTANT:** Do not slide the Running Board on the Brackets, (front to back), or the finish on the Running Board may be damaged.
- Attach the Running Board to the Brackets with (6) 8mm Flat Washers and (6) 8mm Nylon Lock Nuts, **(Figure 11)**. Do not tighten hardware.
- Level and adjust the Running Board and tighten all hardware.
- Repeat **Steps 2—9** to attach the Driver/Left S6 Running Board.
- Do periodic inspections to the installation to make sure that all hardware is secure and tight.

**To protect your investment,** Do not use any type of polish or wax that may contain abrasives that could damage the finish. Mild soap may be used to clean Running Boards.

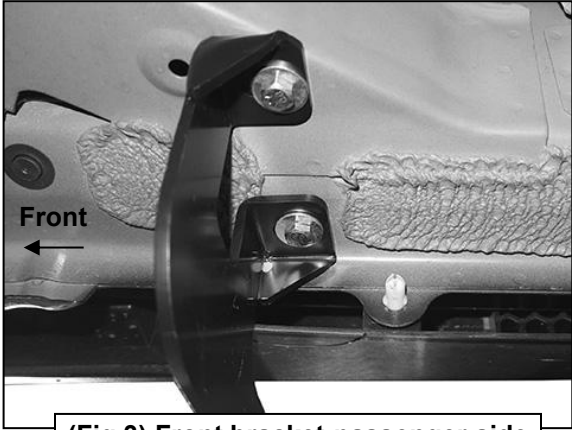
**Passenger Side Installation Pictured**



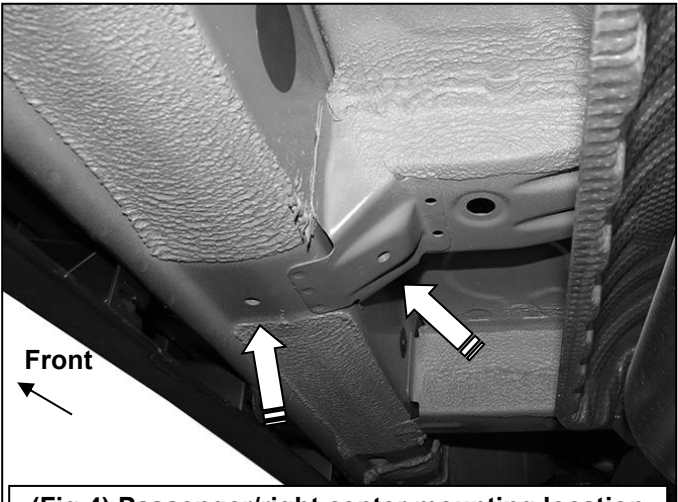
**(Fig 1) Passenger/right front mounting location**



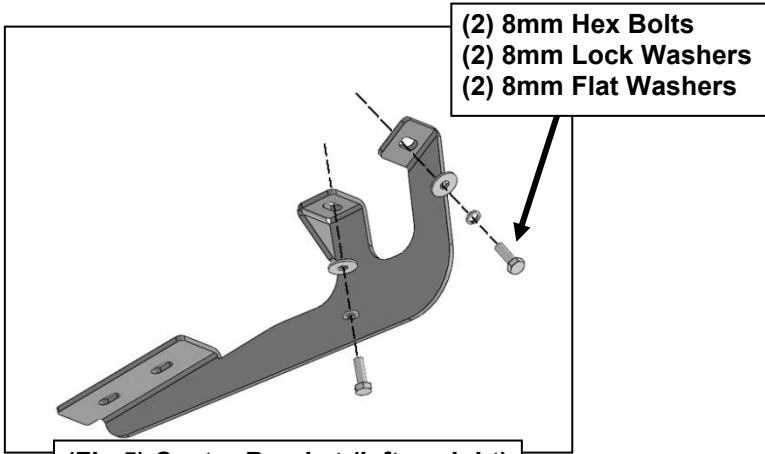
**(Fig 2) Front Bracket (left or right)**



**(Fig 3) Front bracket-passenger side**



**(Fig 4) Passenger/right center mounting location**

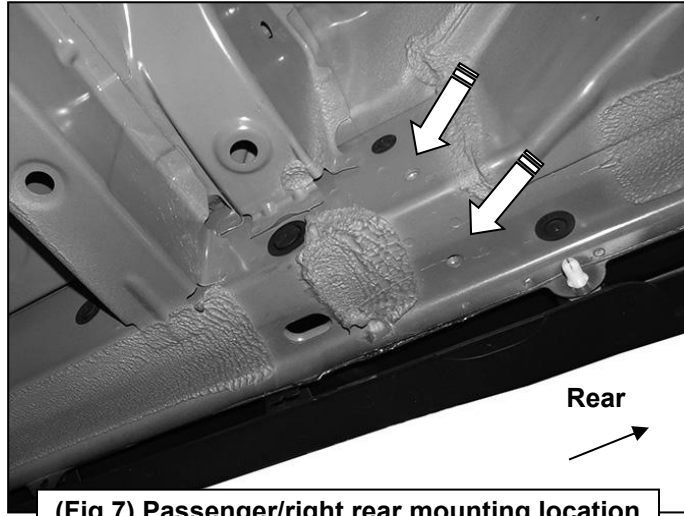


**(Fig 5) Center Bracket (left or right)**



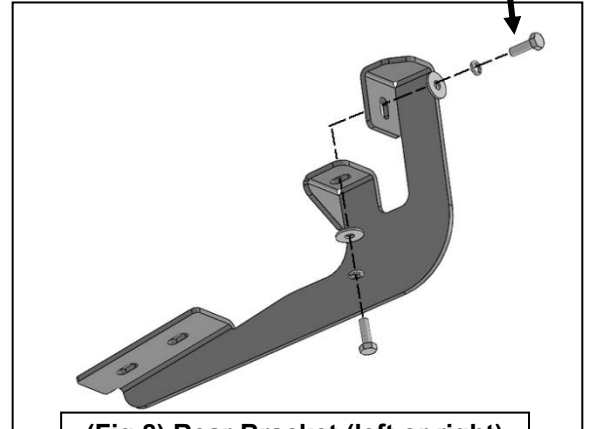
**(Fig 6) Center bracket-passenger side**

### Passenger Side Installation Pictured

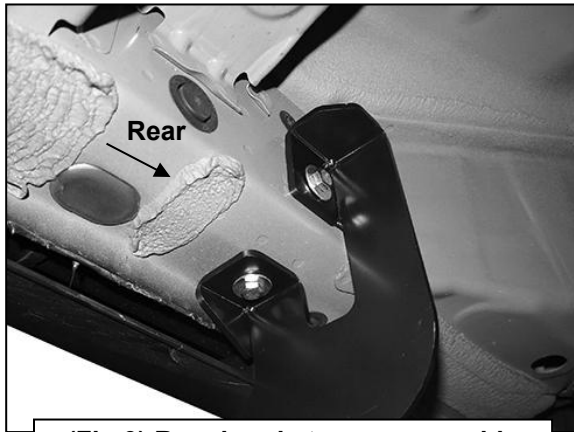


(Fig 7) Passenger/right rear mounting location

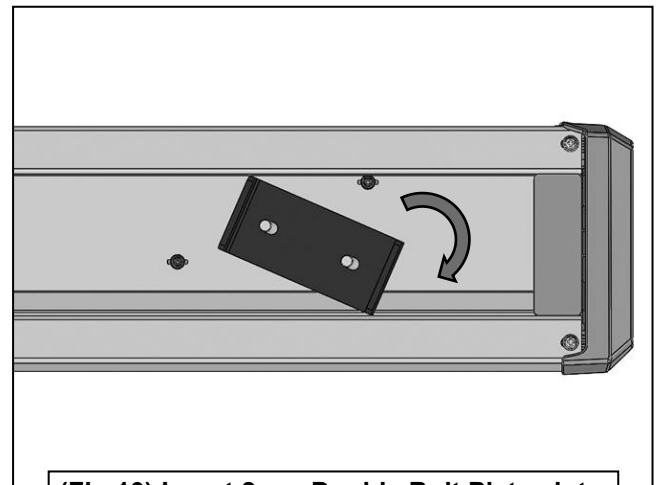
- (2) 8mm Hex Bolts
- (2) 8mm Lock Washers
- (2) 8mm Flat Washers



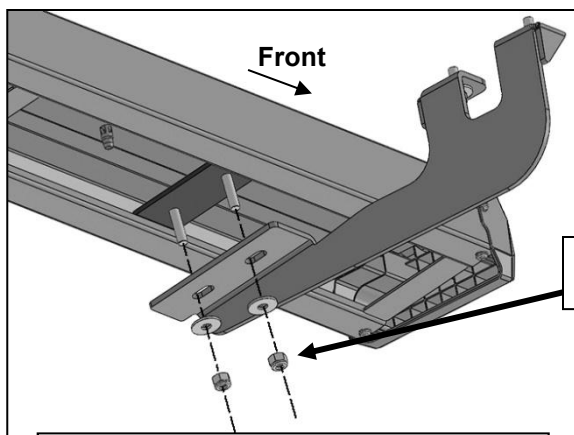
(Fig 8) Rear Bracket (left or right)



(Fig 9) Rear bracket-passenger side



(Fig 10) Insert 8mm Double Bolt Plates into tracks on the bottom of the Running Board



- (2) 8mm Flat Washers
- (2) 8mm Nylon Lock Nuts

(Fig 11) Attach the Driver/Left Running Board to the Bolt Plate