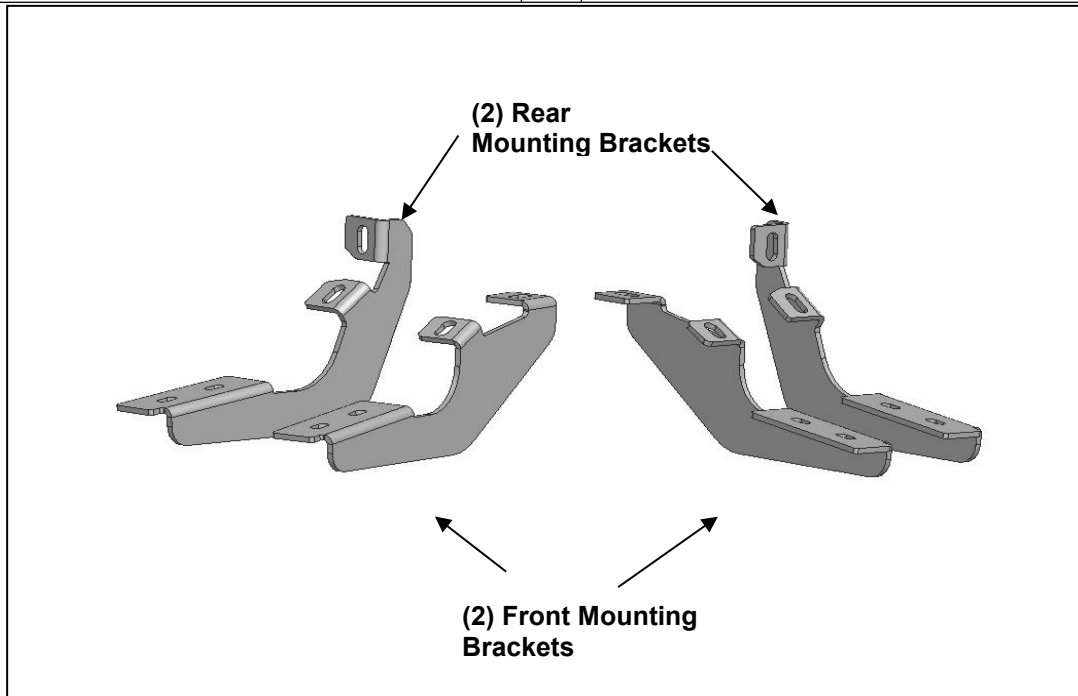


PARTS LIST:

2	S6 Running Boards	8	10mm x 27mm OD x 3mm Flat Washers
2	Front Mounting Brackets	4	8mm x 35mm Double Bolt Plates
2	Rear Mounting Brackets	8	8mm x 24mm OD x 2mm Flat Washers
8	10mm x 30mm Hex Bolts	8	8mm Nylon Lock Nuts
8	10mm Lock Washers		

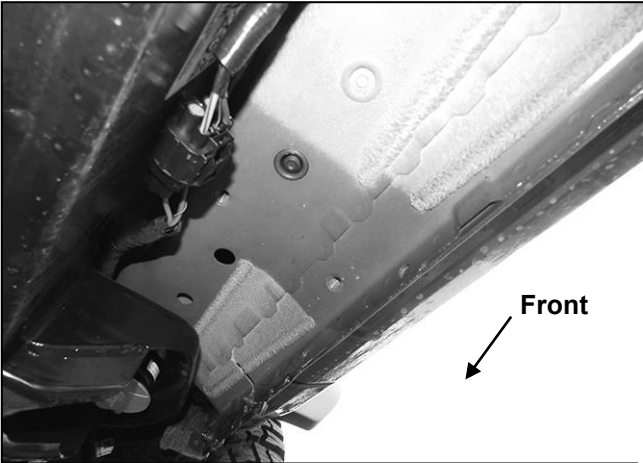


PROCEDURE:

1. REMOVE CONTENTS FROM BOX. VERIFY ALL PARTS ARE PRESENT. READ INSTRUCTIONS CAREFULLY BEFORE STARTING INSTALLATION.
2. Starting from underneath the Passenger/Right body panel, locate the front mounting location and the threaded holes in the body panel, **(Figure 1)**. Remove the plastic plugs covering the holes.
3. Select the Passenger/Right Front Mounting Bracket. Attach the Mounting Bracket to the front location with (2) 10mm Hex Bolts, (2) 10mm Lock Washers and (2) 10mm Flat Washers, **(Figure 2)**. Do not tighten hardware.
4. Repeat **Steps 2 & 3** to attach (1) Rear Mounting Bracket to the rear location, **(Figures 3 & 4)**. Do not tighten hardware.
5. Select (1) Running Board. Select (2) Double Bolt Plates. Insert the Bolt Plates into the channel in the bottom of the Running Board closest to the Brackets, **(Figure 5)**. Lift the Running Board up and guide the studs through the Brackets.
6. Place the Running Board onto the Mounting Brackets. **(Figure 6)**. Do not tighten hardware.
7. Level and adjust the Running Board and tighten all hardware.
8. Repeat **Steps 1—7** to attach the Running Board to the Driver/left side.
9. Do periodic inspections to the installation to make sure that all hardware is secure and tight.

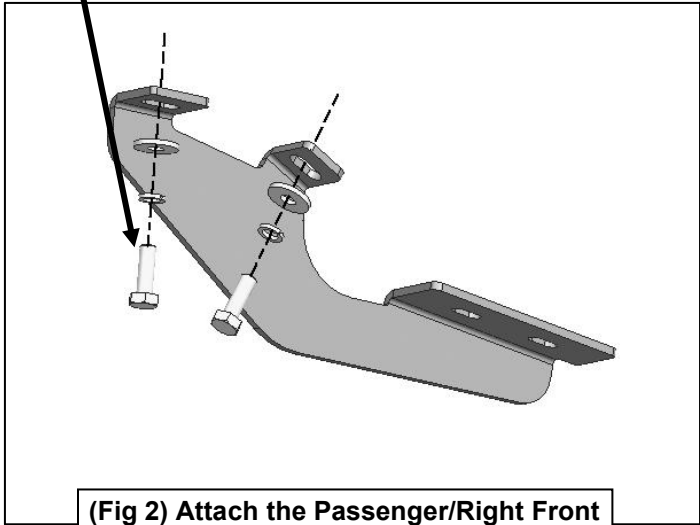
To protect your investment, Do not use any type of polish or wax that may contain abrasives that could damage the finish. Mild soap may be used to clean the Running Board.

Passenger/Right side Installation Pictured

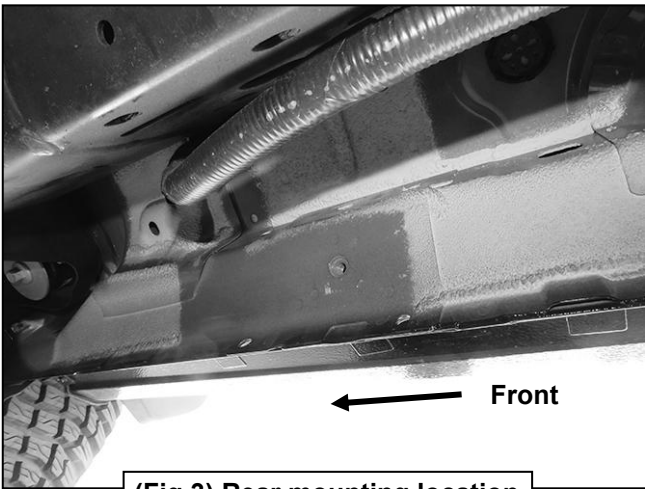


(Fig 1) Passenger/Right front mounting location

- (2) 10mm Hex Bolts
- (2) 10mm Lock Washers
- (2) 10mm Flat Washers

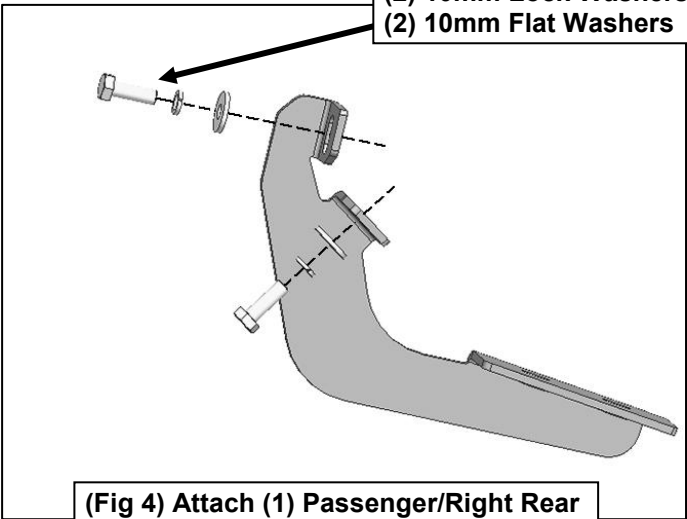


(Fig 2) Attach the Passenger/Right Front Mounting Bracket to the front location



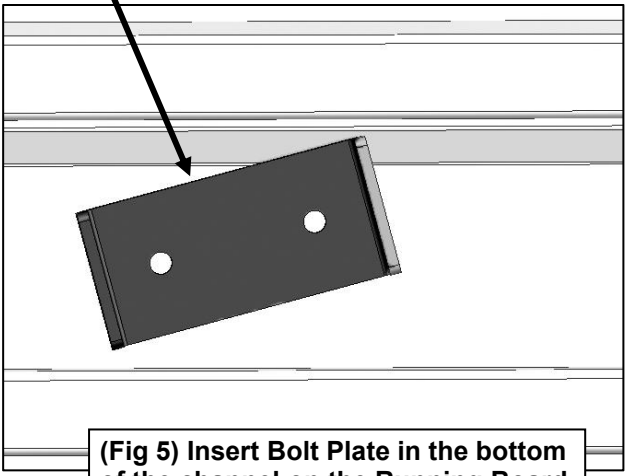
(Fig 3) Rear mounting location (Driver/Left side shown)

- (2) 10mm Hex Bolts
- (2) 10mm Lock Washers
- (2) 10mm Flat Washers

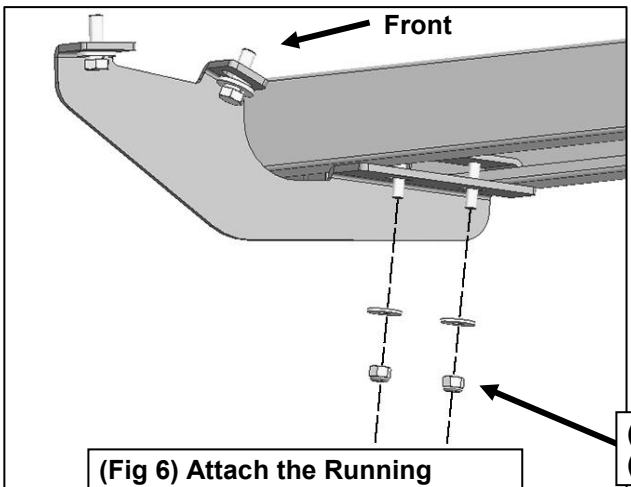


(Fig 4) Attach (1) Passenger/Right Rear Mounting Bracket to the rear location

8mm Double Bolt Plate



(Fig 5) Insert Bolt Plate in the bottom of the channel on the Running Board



(Fig 6) Attach the Running Board to the Passenger/Right Mounting Brackets

- (2) 8mm Flat Washers
- (2) 8mm Nylon Lock Nuts