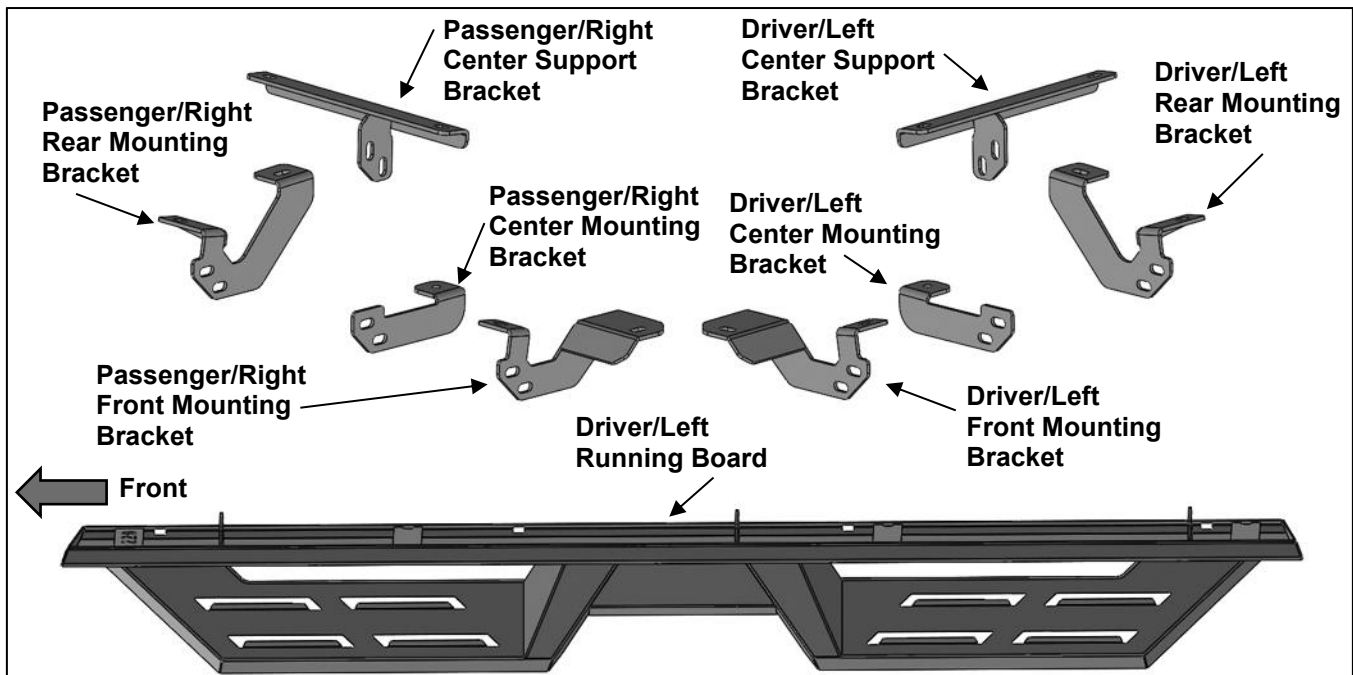


PARTS LIST:

1	Driver/Left DS4 Running Board	12	10mm x 35mm Hex Bolts
1	Passenger/Right DS4 Running Board	12	10mm x 27mm OD x 3mm Flat Washers
1	Driver/Left Front Mounting Bracket	24	10mm x 20mm OD x 2mm Flat Washers
1	Passenger/Right Front Mounting Bracket	12	10mm Lock Washers
1	Driver/Left Center Mounting Bracket	12	10mm Hex Nuts
1	Passenger/Right Center Mounting Bracket	12	10mm Nylon Lock Nuts
1	Driver/Left Rear Mounting Bracket	10	10mm Plastic Retainers
1	Passenger/Right Rear Mounting Bracket	2	8mm x 30mm Bolt Plates
1	Driver/Left Center Support Bracket	2	8mm x 16mm OD x 1.6mm Flat Washers
1	Passenger/Right Center Support Bracket	2	8mm Lock Washers
2	Compression Plates	2	8mm Hex Nuts
10	10mm x 40mm Bolt Plates	2	8mm Plastic Retainers
2	10mm x 60mm Hex Bolts	2	8mm Fish Wires



PROCEDURE:

- 1. REMOVE CONTENTS FROM BOX. VERIFY ALL PARTS ARE PRESENT. READ INSTRUCTIONS CAREFULLY BEFORE STARTING INSTALLATION.**
- Starting under the Driver/Left side of the vehicle, remove the large plastic cover on the bottom of the floor panel, **(Figure 1)**. Determine which plastic clips need to be removed. Carefully remove only the plastic clips and trim for installation, **(Figures 2 & 3)**.
- Locate the front mounting location, **(Figure 4)**. Select (1) 8mm Bolt Plate.
 - Thread (1) Fish Wire onto the end of the threads on the Bolt Plate, **(Figure 5)**.
 - Insert the end of the Wire into the large hole depicted in **Figure 6** and out the small slot in the side panel.
 - Pull the Bolt Plate through the side panel until the threads come out of the slot, **(Figure 7)**.
 - Thread (1) 8mm Plastic Retainer to prevent the Bolt Plate from falling into the vehicle.
- Select (1) 10mm Bolt Plate. Insert the Bolt Plate into the floor panel, **(Figure 8)**. Thread (1) 10mm Plastic Retainer onto the Bolt Plate to hold it in place.
- Select the Driver/Left Mounting Bracket. Attach the Mounting Bracket to the 10mm Bolt Plate with (1) 10mm Flat Washer, (1) 10mm Lock Washer and (1) 10mm Hex Nut, **(Figure 9)**. Do not tighten hardware. Attach the Bracket to the 8mm Bolt Plate with (1) 8mm Flat Washer, (1) 8mm Lock Washer and (1) 8mm Hex Nut, **(Figure 10)**. Do not tighten hardware.

6. Move to the center location, **(Figure 11)**. Insert (2) 10mm Bolt Plates into the side panel, **(Figure 12)**. Select the Driver/Left Center Support Bracket. Attach the Bracket to the (2) Bolt Plates with (2) 10mm Flat Washers, (2) 10mm Lock Washers and (2) 10mm Hex Nuts, **(Figure 13)**. Do not tighten hardware.
7. Move to the rear mounting location. Repeat **Steps 3 & 4** to attach the Driver/Left Rear Mounting Bracket, **(Figures 14—16)**. Do not tighten hardware.
8. Unwrap the Driver/Left DS4 Running Board. With assistance, line up mounting tabs on the back of the Running Board the rear faces of the Front and Rear Mounting Brackets.
9. Attach the Running Board to the Brackets with (4) 10mm x 35mm Hex Bolts, (8) 10mm Flat Washers and (4) 4mm Nylon Lock Nuts, **(Figure 17)**. Do not tighten hardware.
10. Select the Center Mounting Bracket. Attach the Mounting Bracket and Running Board to the Support Bracket with (2) 10mm x 35mm Hex Bolts, (4) 10mm Flat Washers and (2) 10mm Nylon Lock Nuts, **(Figure 18)**. Do not tighten hardware.
11. Select (1) Compression Plate.
 - a. Thread (1) 10mm Hex Nut to (1) 10mm x 60mm Hex Bolt.
 - b. Slide (1) 10mm Lock Washer and (1) 10mm Flat washer onto the 10mm Hex Bolt.
 - c. Thread the 10mm Hex Bolt assembly into the welded nut on the back of the Mounting Bracket. Place the Compression Plate onto the end of the 10mm Hex Bolt, **(Figures 19A & 19B)**.
 - d. Tighten Hex Bolt to place the Compression Plate onto the floor panel. Do not tighten Hex Bolt all the way. **NOTE:** Use the 10mm Hex Nut to adjust the level of the Mounting Bracket.
 - e. Follow link for Compression Plate installation. <https://youtu.be/R51s7Vk1Sy4>

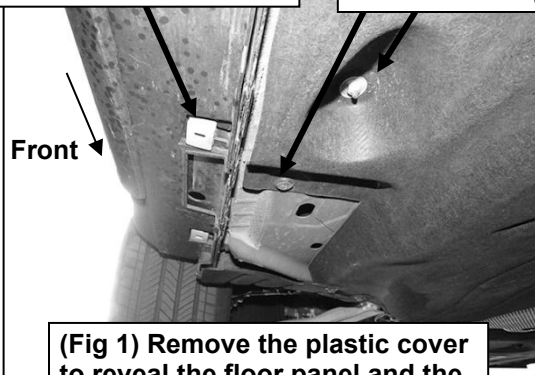


12. Level and adjust the Running Board and tighten all hardware.
13. Repeat **Steps 2—12** to attach the Passenger/Right DS4 Running Board
14. Do periodic inspections to the installation to make sure that all hardware is secure and tight.

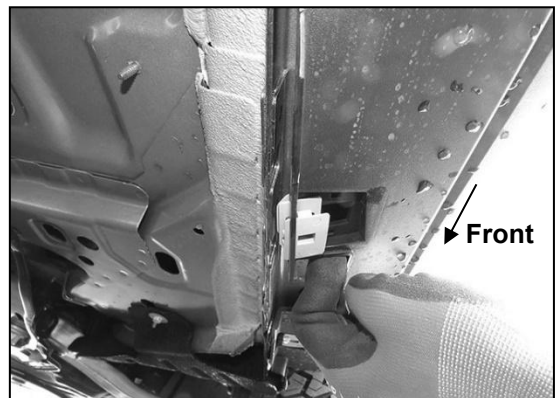
To protect your investment, Do not use any type of polish or wax that may contain abrasives that could damage the finish. Mild soap may be used to clean the Running Boards.

Remove plastic trim clips

Remove factory pins and hardware



(Fig 1) Remove the plastic cover to reveal the floor panel and the plastic clips in the outer trim

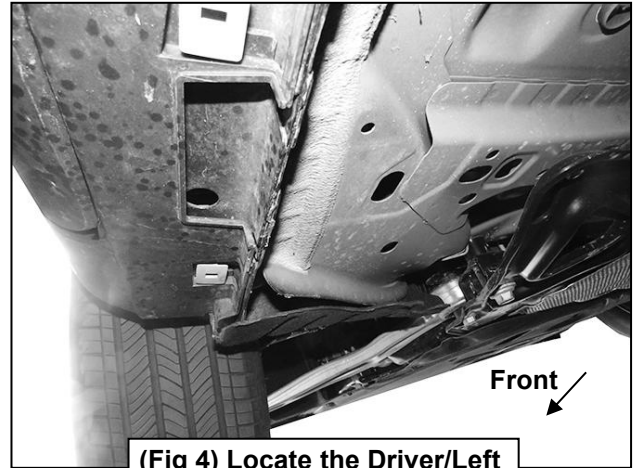


(Fig 2) Gently pull the trim slightly to loosen the clips (Passenger side shown)

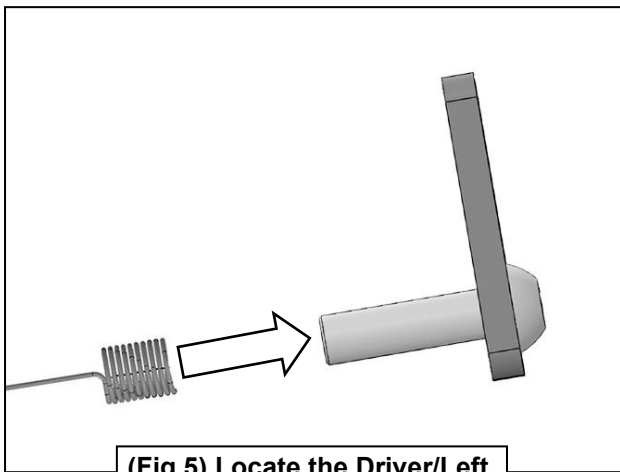
Driver/Left Side Installation Pictured



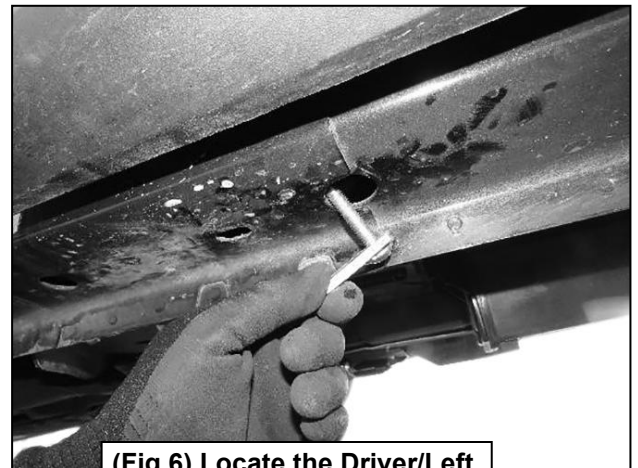
(Fig 3) Plastic clip removed from the front location trim (Passenger side shown)



(Fig 4) Locate the Driver/Left front mounting location

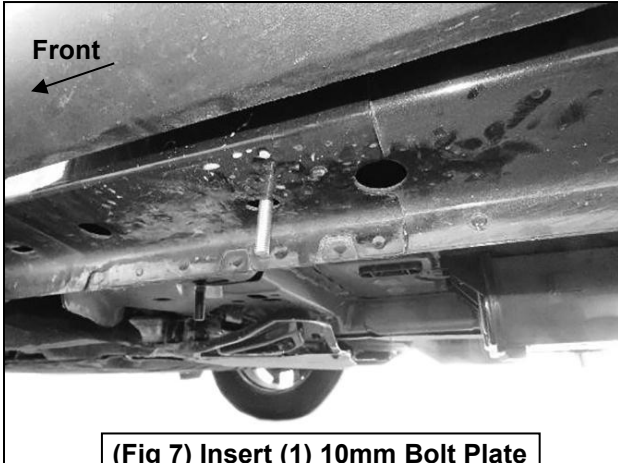


(Fig 5) Locate the Driver/Left front mounting location

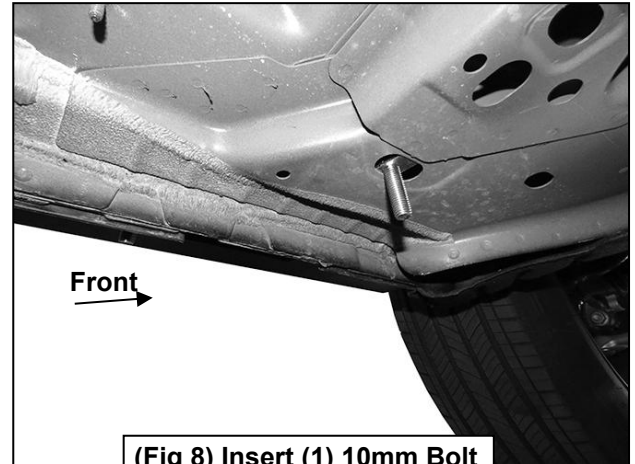


(Fig 6) Locate the Driver/Left front mounting location

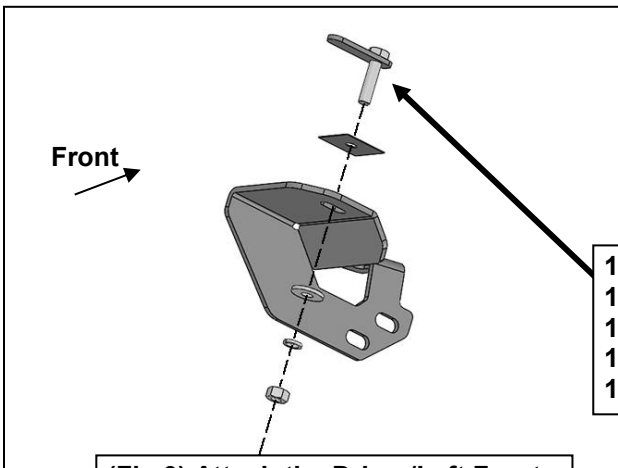
Driver/Left Side Installation Pictured



(Fig 7) Insert (1) 10mm Bolt Plate into the side panel



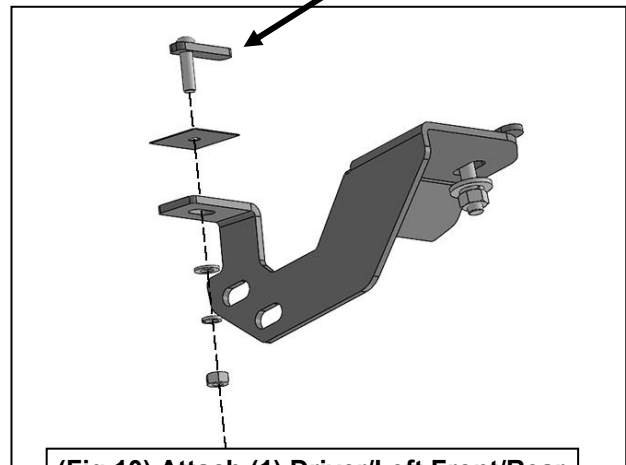
(Fig 8) Insert (1) 10mm Bolt Plate into the floor panel



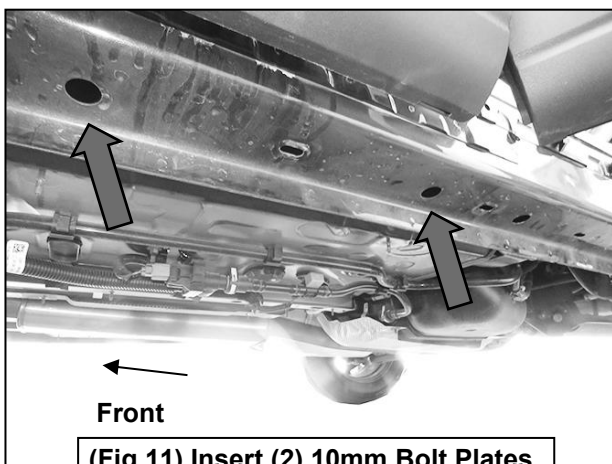
(Fig 9) Attach the Driver/Left Front Mounting Bracket to the Bolt Plate

- 10mm Bolt Plate
- 10mm Plastic Retainer
- 10mm Flat Washer
- 10mm Lock Washer
- 10mm Hex Nut

- 8mm Bolt Plate
- 8mm Plastic Retainer
- 8mm Flat Washer
- 8mm Lock Washer
- 8mm Hex Nut

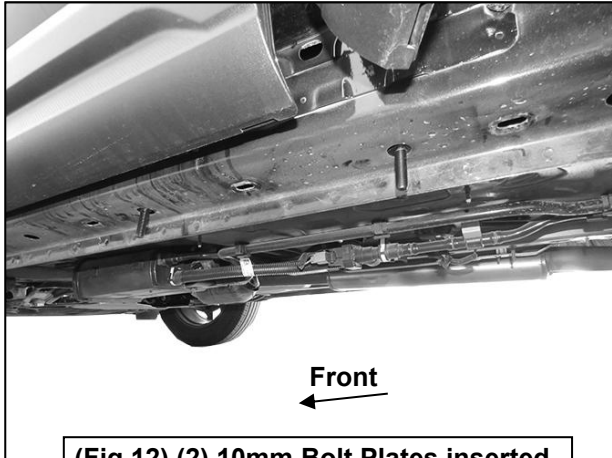


(Fig 10) Attach (1) Driver/Left Front/Rear Support Bracket to the Spiral Bolt



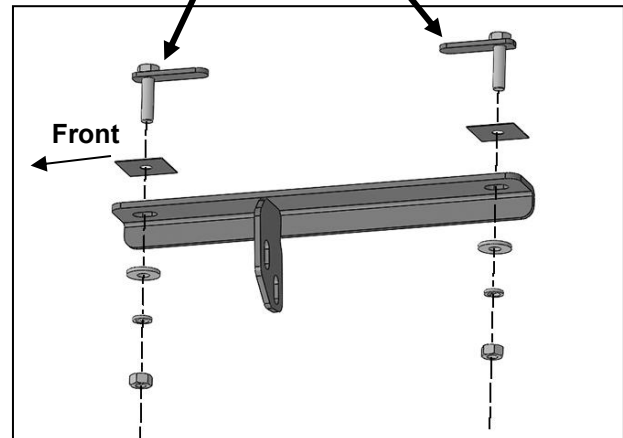
(Fig 11) Insert (2) 10mm Bolt Plates into the outer center location

Driver/Left Side Installation Pictured

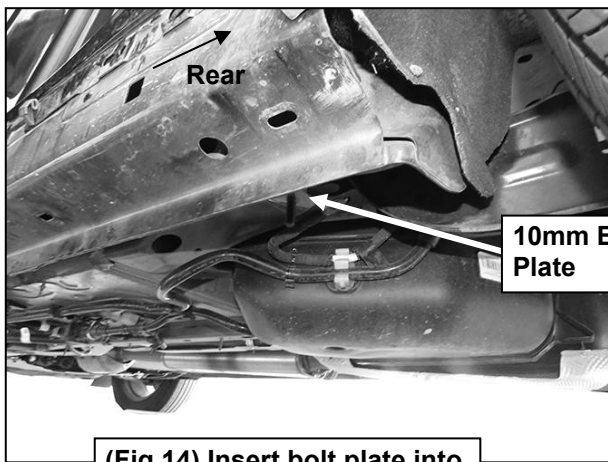


(Fig 12) (2) 10mm Bolt Plates inserted into the outer center location

- (2) 10mm Bolt Plates
- (2) 10mm Plastic Retainers
- (2) 10mm Flat Washers
- (2) 10mm Lock Washers
- (2) 10mm Hex Nuts

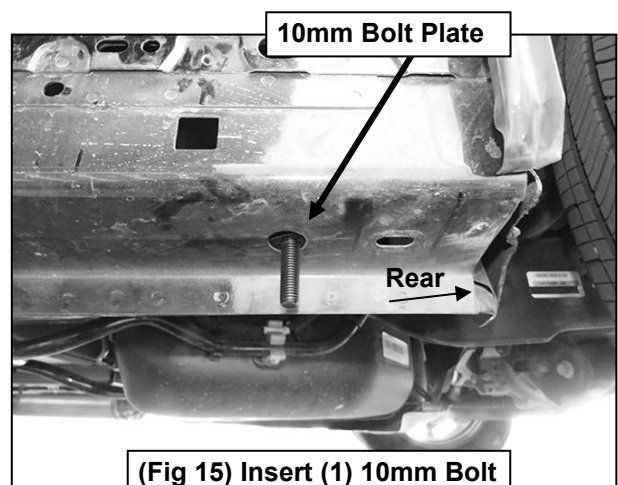


(Fig 13) Attach the Driver/Left Center Support Bracket to the (2) 10mm Spiral Bolts



10mm Bolt Plate

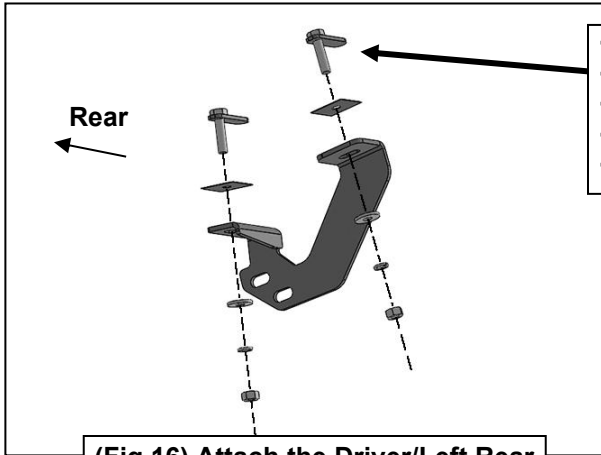
(Fig 14) Insert bolt plate into the hole in the floor panel



10mm Bolt Plate

(Fig 15) Insert (1) 10mm Bolt Plate into the side panel

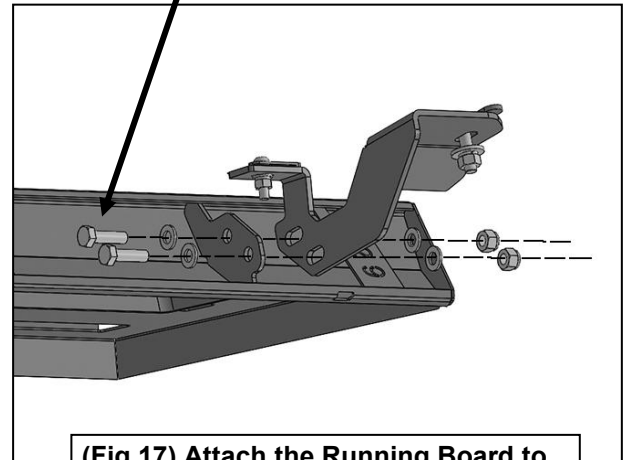
Driver/Left Side Installation Pictured



- 10mm Bolt Plate
- 10mm Plastic Retainer
- 10mm Flat Washer
- 10mm Lock Washer
- 10mm Hex Nut

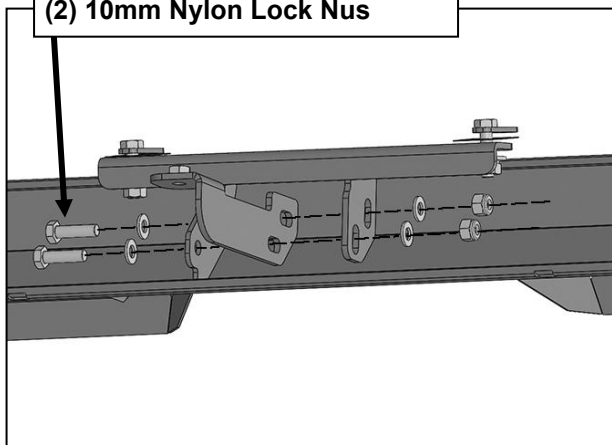
- (2) 10mm Hex Bolts
- (4) 10mm x20mm Flat Washers
- (2) 10mm Nylon Lock Nus

(Fig 16) Attach the Driver/Left Rear Mounting Bracket to the Bolt Plate



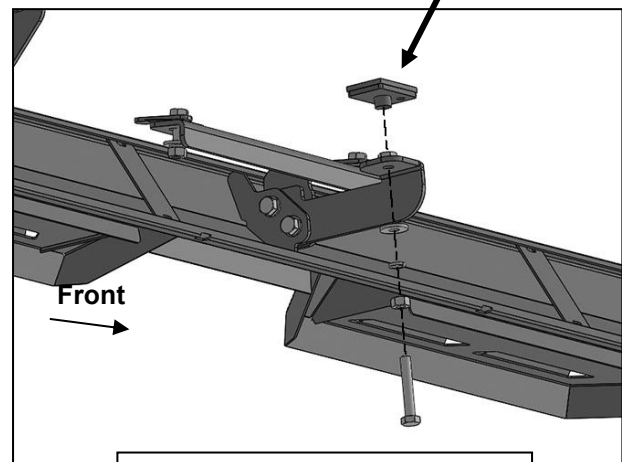
(Fig 17) Attach the Running Board to the Front and Rear Mounting Brackets

- (2) 10mm Hex Bolts
- (4) 10mm x20mm Flat Washers
- (2) 10mm Nylon Lock Nus



(Fig 18) Attach the Running Board and Center Mounting Bracket to the Center Support Bracket

- 10mm x 60mm Hex Bolt
- 10mm Hex Nut
- 10mm Lock Washer
- 10mm Flat Washer
- Compression Plate



(Fig 19A) Use (1) Compression Plate to level the Bracket (Note use the Hex Nuts as adjusters)

(Fig 19B) Follow link for Compression Plate installation.
<https://youtu.be/R51s7Vk1Sy4>

