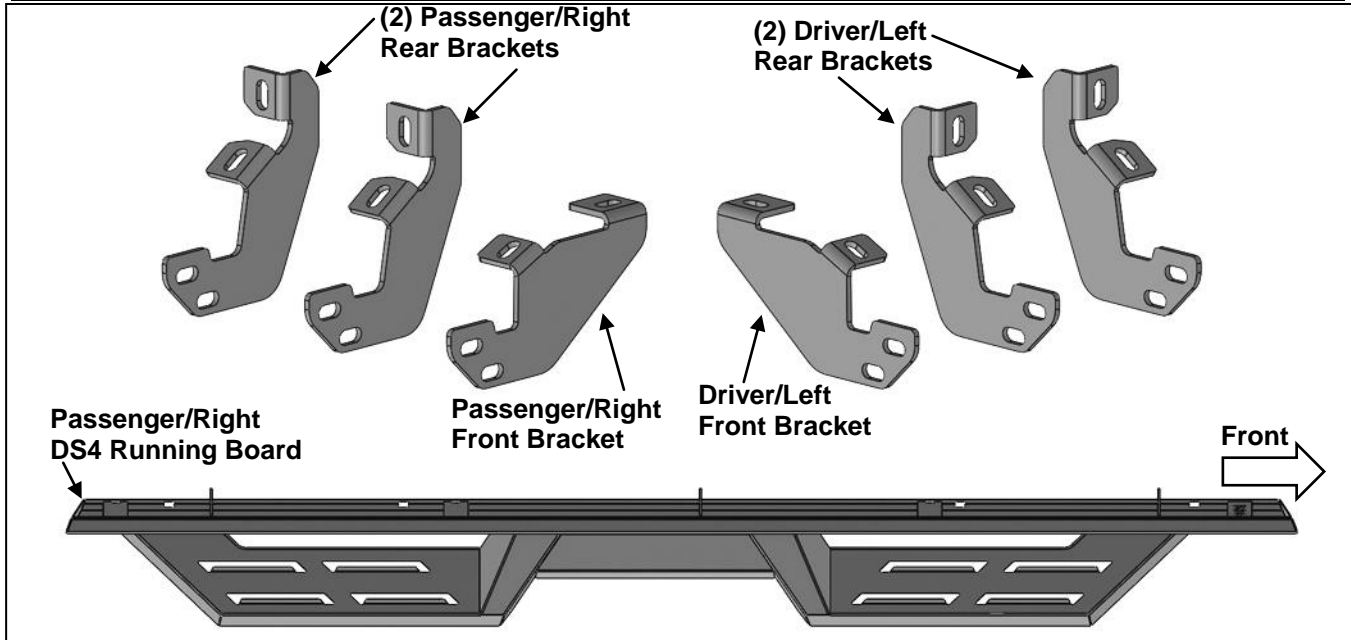


PARTS LIST:

1	Driver/Left DS4 Running Board	12	10mm x 30mm Hex Bolts
1	Passenger/Right DS4 Running Board	12	10mm x 25mm Hex Bolts
1	Driver/Left Front Mounting Bracket	12	10mm Lock Washers
1	Passenger/Right Front Mounting Bracket	12	10mm x 27mm OD x 3mm Large Flat Washers
2	Driver/Left Rear Mounting Brackets	24	10mm x 20mm OD x 2mm Small Flat Washers
2	Passenger/Right Rear Mounting Brackets	12	10mm Nylon Lock Nuts

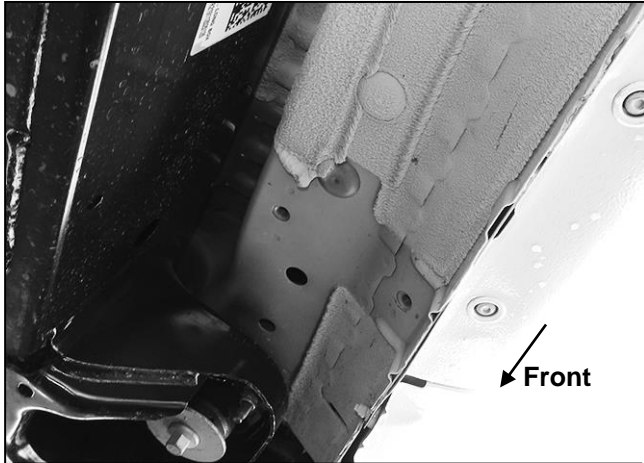


PROCEDURE:

1. REMOVE CONTENTS FROM BOX. VERIFY ALL PARTS ARE PRESENT. READ INSTRUCTIONS CAREFULLY BEFORE STARTING INSTALLATION.
2. Starting from underneath the Passenger/Right body panel, locate the front mounting location and the threaded holes in the body panel, **(Figure 1)**. Remove the plastic plugs covering the holes.
3. Select the Passenger/Right Front Mounting Bracket. Attach the Mounting Bracket to the front location with (2) 10mm x 25mm Hex Bolts, (2) 10mm Lock Washers and (2) 10mm x 27mm Large Flat Washers, **(Figure 2)**. Do not tighten hardware.
4. Repeat **Steps 2 & 4** to attach (2) Rear Mounting Brackets to the center and rear locations, **(Figures 3—5)**. Do not tighten hardware.
5. Select the Passenger/Right DS4 Running Board. Attach the Running Board to the rear faces of the (3) Mounting Brackets with (6) 10mm x 30mm Hex Bolts, (12) 10mm x 20mm Flat Washers and (6) 10mm Nylon Lock Nuts, **(Figure 6)**. Do not tighten hardware.
6. Level and adjust the Running Board and tighten all hardware.
7. Repeat **Steps 1—6** to attach the Driver/Left DS4 Running Board.
8. Do periodic inspections to the installation to make sure that all hardware is secure and tight.

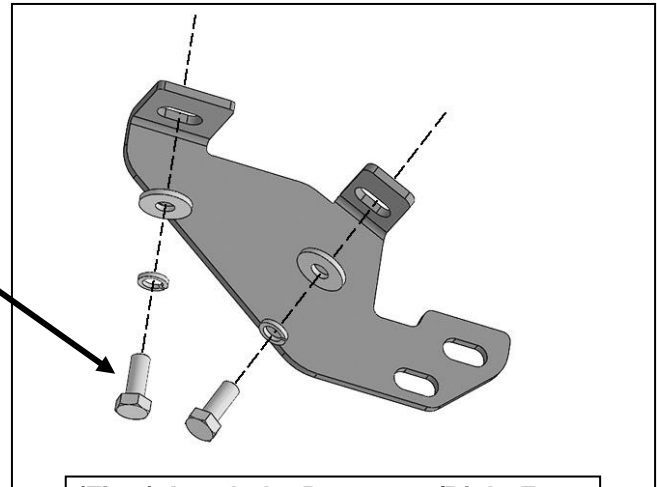
To protect your investment, Do not use any type of polish or wax that may contain abrasives that could damage the finish. Mild soap may be used to clean the Running Boards.

Passenger/Right side Installation Pictured

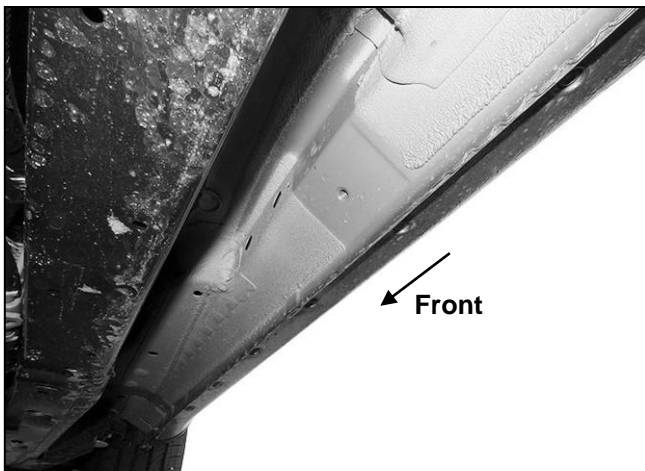


(Fig 1) Passenger/Right front mounting location

- (2) 10mm x 25mm Hex Bolts
- (2) 10mm Lock Washers
- (2) 10mm x 27mm Flat Washers

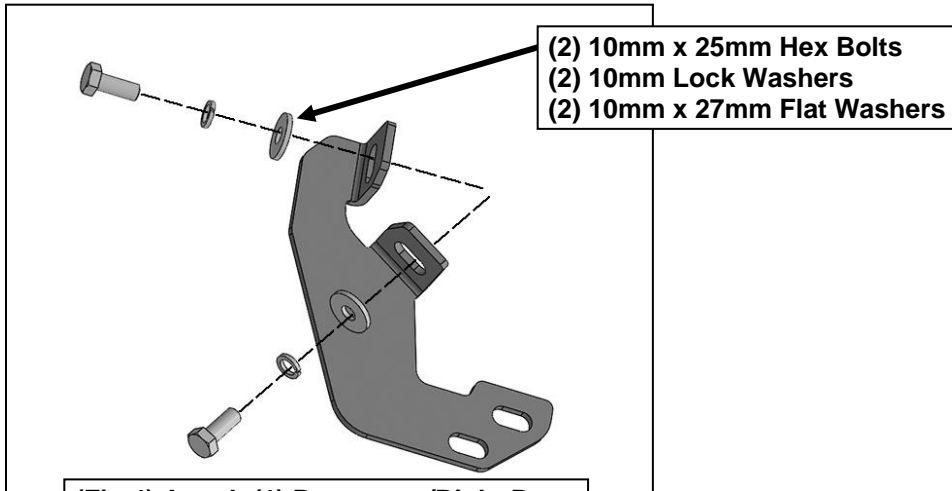


(Fig 2) Attach the Passenger/Right Front Mounting Bracket to the front location

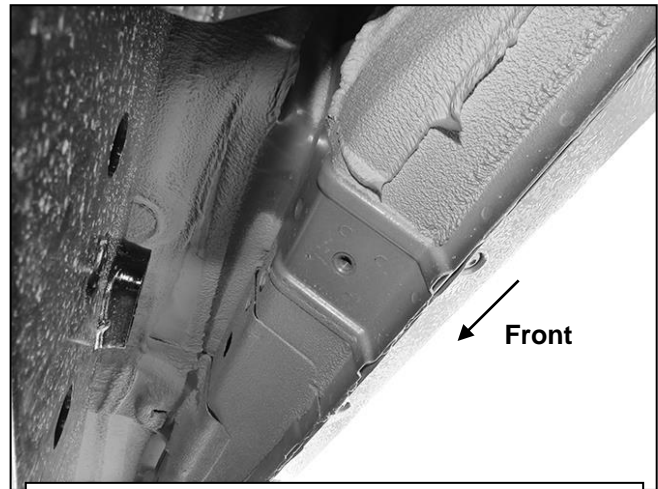


(Fig 3) Passenger/Right center mounting location

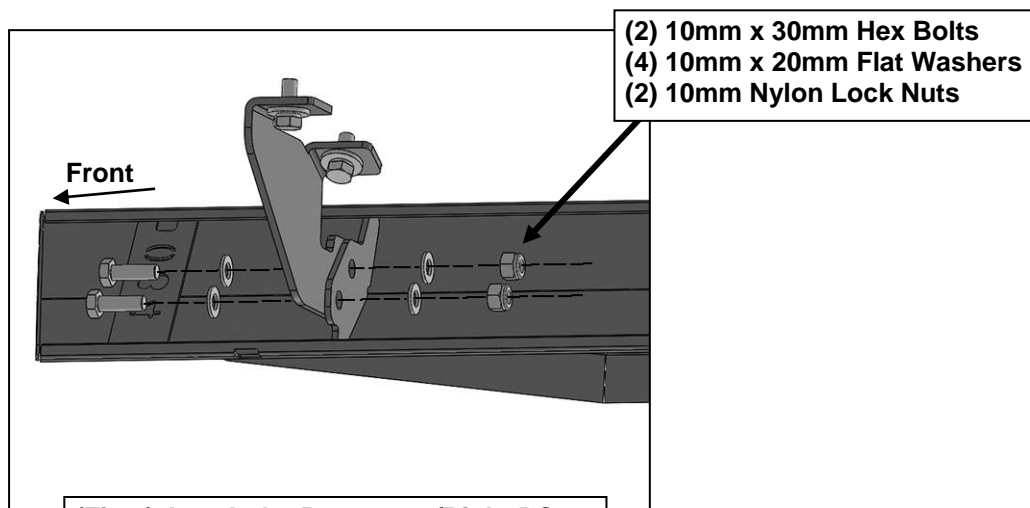
Passenger/Right side Installation Pictured



(Fig 4) Attach (1) Passenger/Right Rear Mounting Bracket to the center location



(Fig 5) Passenger/Right rear mounting location



(Fig 6) Attach the Passenger/Right DS4 Running Board to the Mounting Brackets