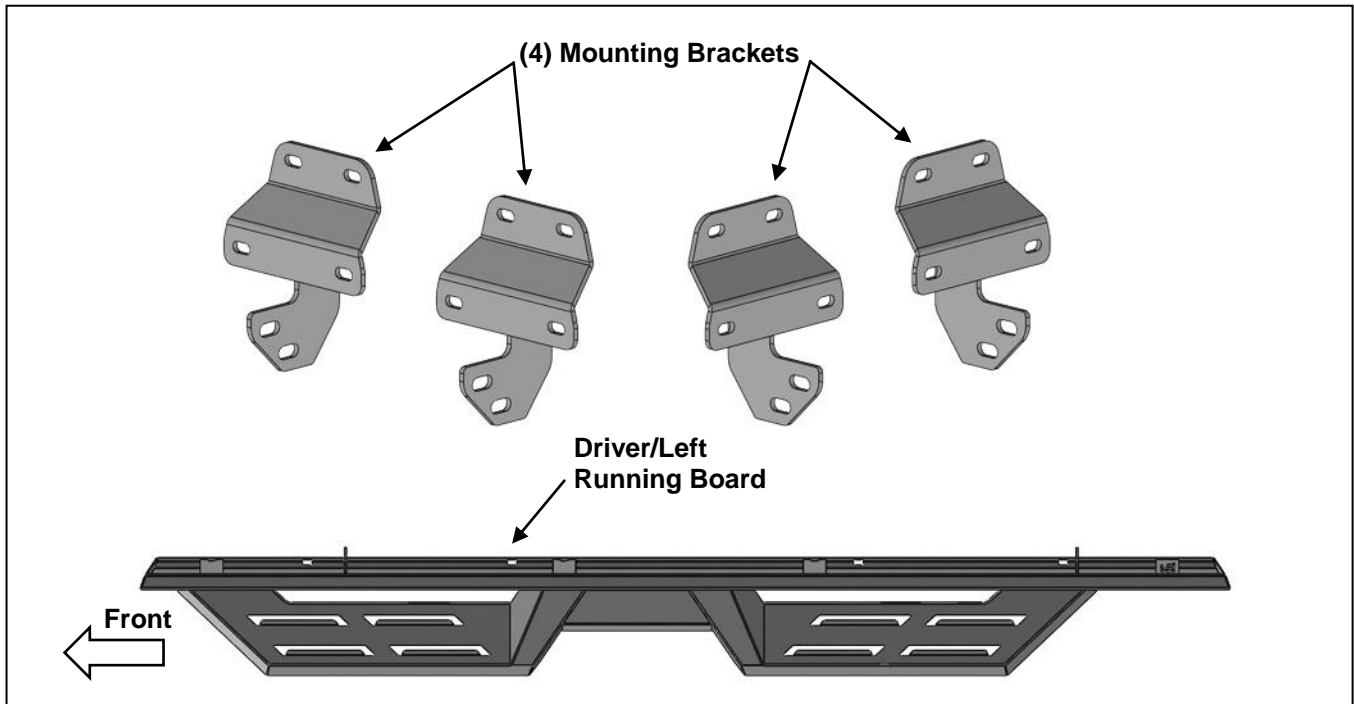


PARTS LIST:

1	Driver/Left Running Board	8	10mm Nylon Lock Nuts
1	Passenger/Right Running Board	12	8mm x 24mm OD x 2mm Flat Washers
4	Mounting Brackets	12	8mm Nylon Lock Nuts
8	10mm x 30mm Hex Bolts	12	8mm Plastic Retainers
16	10mm x 20mm OD x 2mm Flat Washers		



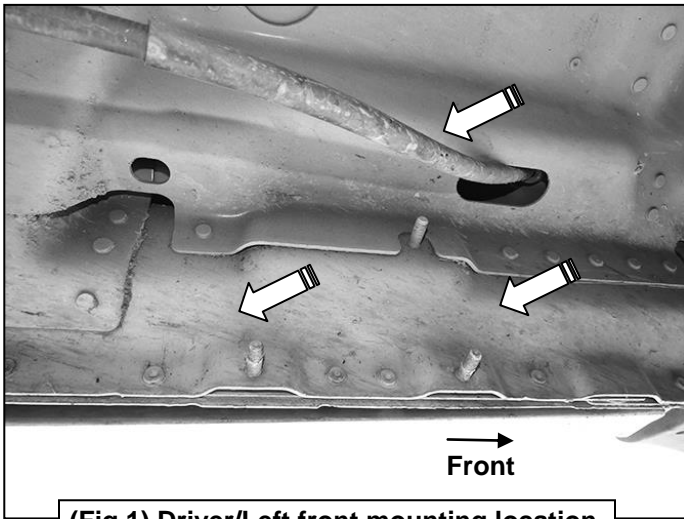
PROCEDURE:

REMOVE CONTENTS FROM BOX. VERIFY ALL PARTS ARE PRESENT. READ INSTRUCTIONS CAREFULLY BEFORE STARTING INSTALLATION. ASSISTANCE IS RECOMMENDED.

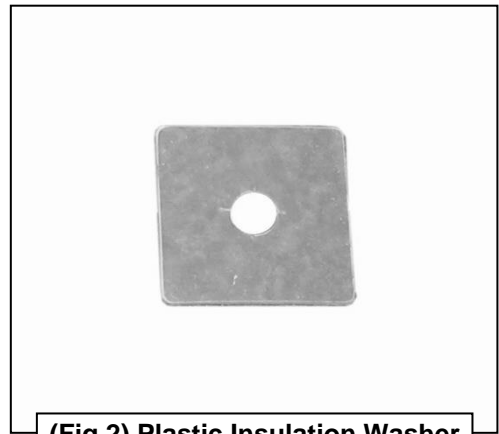
1. Start the installation under the Driver/Left side of the vehicle. Locate the front mounting location along the inner side of the body, **(Figure 1)**.
2. Slide (1) Plastic Washer over each of the (3) factory mounting studs in the body panel, **(Figures 2 & 3)**. **IMPORTANT:** The Plastic Washers are designed to prevent corrosion between the aluminum body panel and the steel mounting brackets. **Do not install the Brackets without the Plastic Washers.**
3. Select (1) Mounting Bracket. **NOTE:** All (4) Brackets are universal and will fit left or right side. Attach the Mounting Bracket to the (3) factory studs with (3) 8mm Flat Washers and (3) 8mm Nylon Lock Nuts, **(Figure 4)**. Leave brackets loose at this time.
4. Repeat **Steps 1—3** to attach (1) Mounting Bracket to the rear location, **(Figure 5)**.
5. Select the Driver/Left Running Board. Attach the Running Board to the rear faces of the Mounting Brackets with (4) 10mm Hex Bolts, (8) 10mm Flat Washers and (4) 10mm Nylon Lock Nuts, **(Figure 6)**. Do not tighten hardware at this time.
6. Level and adjust the Running Board and tighten all hardware.
7. Repeat **Steps 1—6** to attach the Passenger/Right Running Board.
8. Do periodic inspections to the installation to make sure that all hardware is secure and tight.

To protect your investment, Do not use any type of polish or wax that may contain abrasives that could damage the finish. Mild soap may be used to clean the Running Boards.

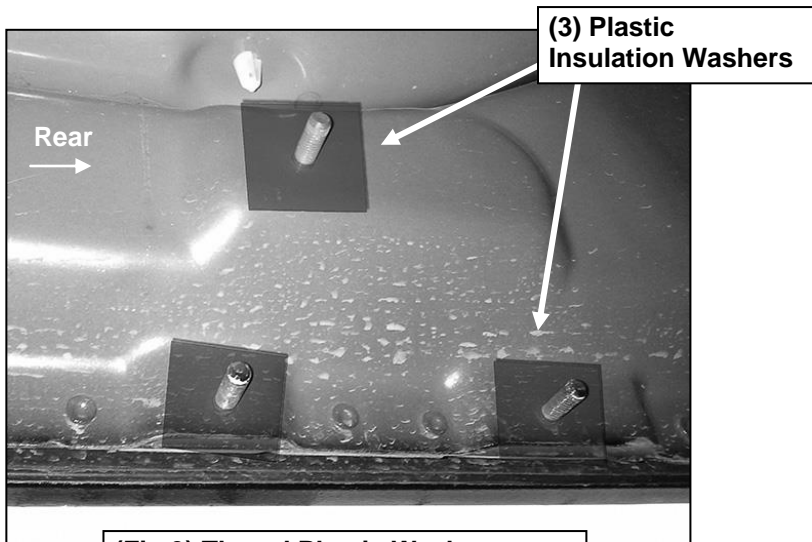
Driver/Left Side Installation Pictured



(Fig 1) Driver/Left front mounting location



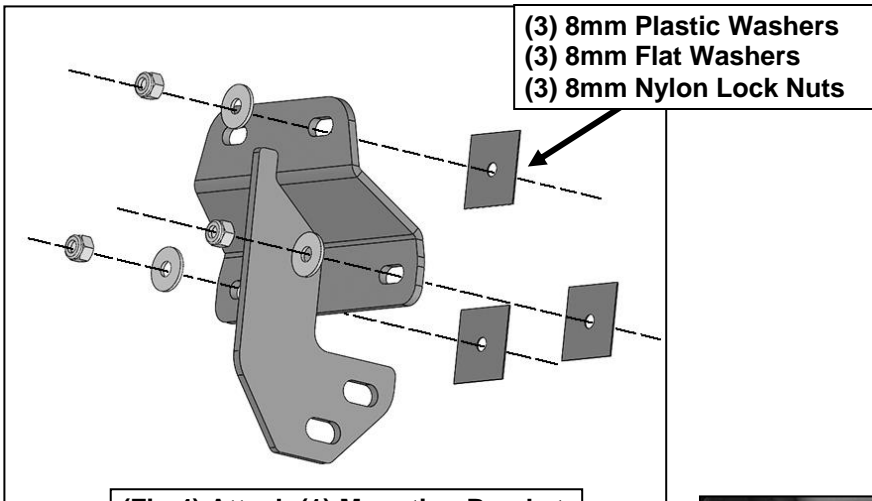
(Fig 2) Plastic Insulation Washer



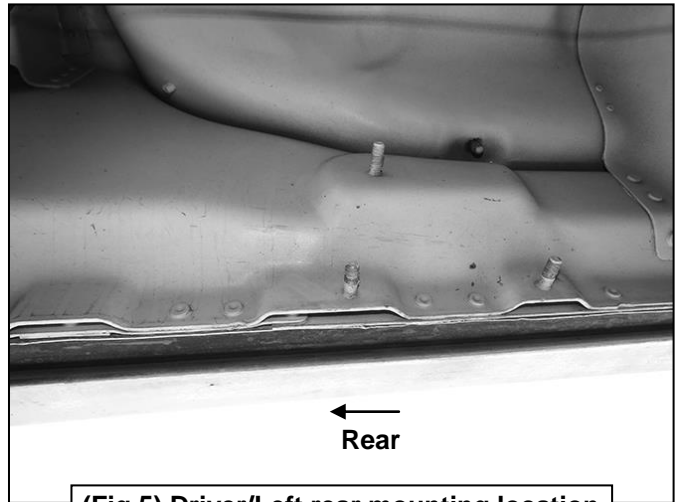
(3) Plastic Insulation Washers

(Fig 3) Thread Plastic Washers onto all mounting studs. (Passenger side rear mounting location pictured)

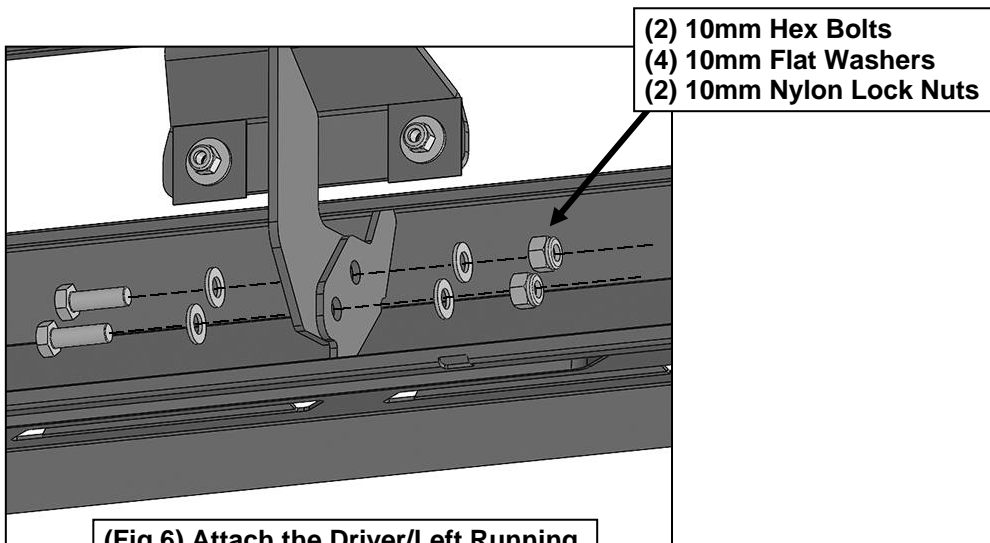
Driver/Left Side Installation Pictured



(Fig 4) Attach (1) Mounting Bracket to the front mounting location



(Fig 5) Driver/Left rear mounting location



(Fig 6) Attach the Driver/Left Running Board to the Mounting Brackets