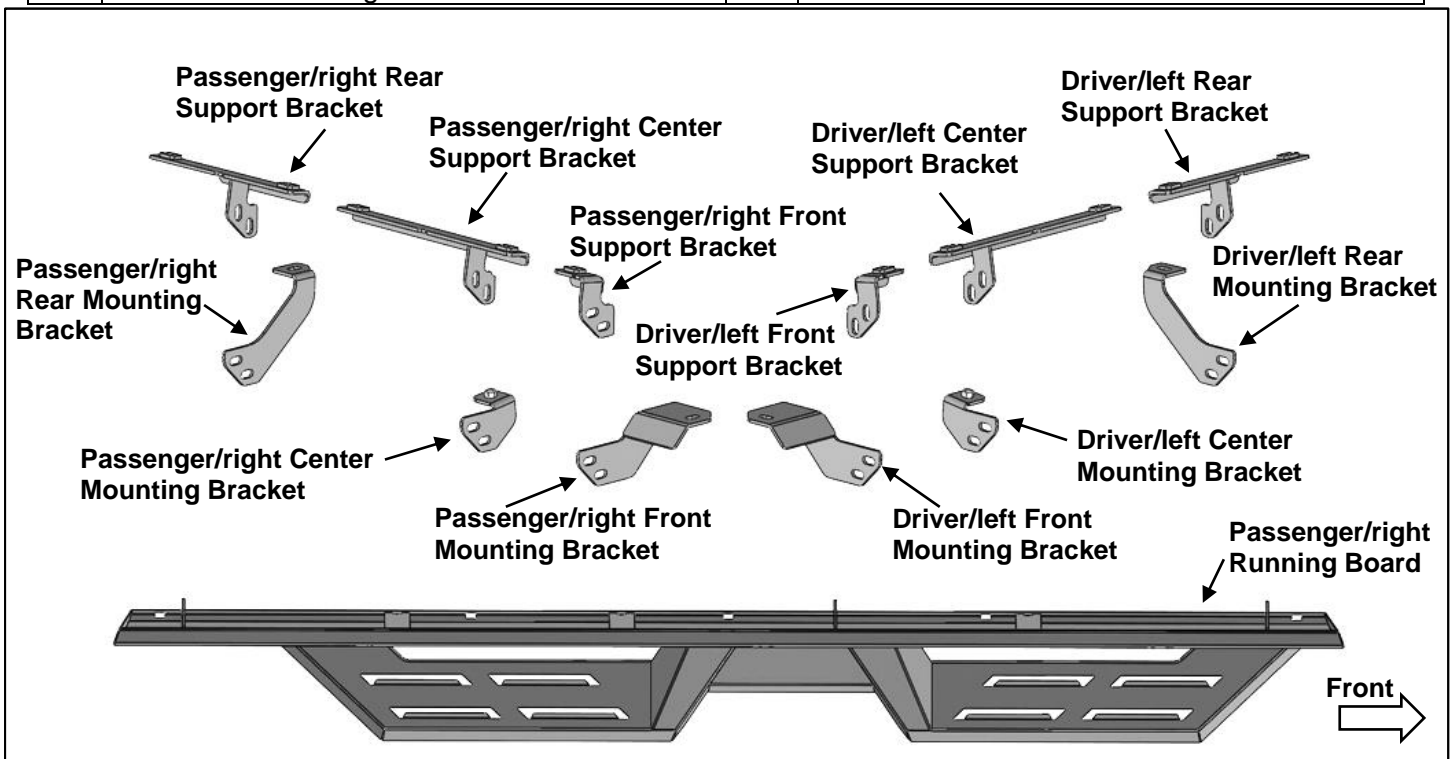


PARTS LIST:

1	Driver/Left Running Board	2	10mm x 40mm Short Bolt Plates
1	Passenger/Right Running Board	2	10mm x 70mm Hex Bolts
1	Driver/Left Front Mounting Bracket	12	10mm x 35mm Hex Bolts
1	Passenger/Right Front Mounting Bracket	14	10mm x 27mm OD x 3mm Flat Washers
1	Driver/Left Center Mounting Bracket	26	10mm x 20mm OD x 2mm Flat Washers
1	Passenger/Right Center Mounting Bracket	16	10mm Lock Washers
1	Driver/Left Rear Mounting Bracket	16	10mm Hex Nuts
1	Passenger/Right Rear Mounting Bracket	12	10mm Nylon lock Nuts
1	Driver/Left Front Support Bracket	4	10mm Plastic Retainers
1	Passenger/Right Front Support Bracket	2	8mm x 35mm Hex Bolts
1	Driver/Left Center Support Bracket	2	8mm x 24mm OD x 2mm Flat Washers
1	Passenger/Right Center Support Bracket	2	8mm Lock Washers
1	Driver/Left Rear Support Bracket	2	8mm Nut Plates
1	Passenger/Right Rear Support Bracket	2	Compression Plates
10	10mm Spiral Bolts	2	10mm Fish Wires
2	10mm x 40mm Long Bolt Plates		



PROCEDURE:

1. REMOVE CONTENTS FROM BOX. VERIFY ALL PARTS ARE PRESENT. READ INSTRUCTIONS CAREFULLY BEFORE STARTING INSTALLATION. CUTTING IS REQUIRED.
2. Starting from under the passenger/right side of the vehicle, locate the rectangular clips attaching the plastic rocker cover to the bottom of the body. Remove the second clip back from the front wheel opening, (Figures 1 & 2).
3. Locate the front mounting location, (Figure 1). Select (1) 10mm Spiral Bolt. Insert the Spiral Bolt into the side panel, (Figures 3A & 3B). Select (1) 10mm Spiral Bolt. Insert the Spiral Bolt into the floor panel, (Figure 3A). Thread (1) 10mm Plastic Retainer onto the Spiral Bolt to hold it in place.
 - a. With the Spiral Bolt threads pointing away from the vehicle, insert the tail all the way up into the slot. Keep threads pointed outwards, (Figure 4).
 - b. Slide in the bend in the tail up into the slot, keeping the threads pointed outwards, (Figure 5).

- c. Rotate Spiral Bolt downwards so that the threads are pointed towards the ground, **(Figure 6)**.
- d. Follow link for 10mm Spiral Bolt installation. <https://youtu.be/BqQis3QjZNc>



***Note: This may not be the same vehicle, but the same process applies**

4. Select the Passenger/Right Front Support Bracket. Attach the Support Bracket to the Spiral Bolt with (1) 10mm Flat Washer, (1) 10mm Lock Washer and (1) 10mm Hex Nut, **(Figure 7)**. Snug but do not fully tighten hardware.
5. Hold the Passenger/Right Front Mounting Bracket up to the bottom of the body, **(Figure 8)**. Line up the outer hole in the Bracket with the hole in the Support Bracket. Line up the inner end of the Mounting Bracket with the oval hole in the floor. Use a marker or masking tape to trace the outline of the Mounting Bracket onto the plastic cover, **(Figure 9)**.
6. Move to the center mounting location below where the front and rear doors meet, **(Figure 10)**. Remove the (2) rectangular plastic clips.
For Non-Hybrid Models: Insert (2) Spiral Bolts into the holes. Attach the passenger/right Center Support Bracket to the Spiral Bolts with (2) 10mm Flat Washers, (2) 10mm Lock Washers and (2) 10mm Hex Nuts, **(Figure 11A)**. Snug but do not fully tighten hardware.
For Hybrid Models: Insert (2) Nut Plates into the holes. Attach the passenger/right Center Support Bracket to the Nut Plates with (2) 8mm Flat Washers, (2) 8mm Lock Washers and (2) 8mm Hex Bolts, **(Figure 11B)**. Snug but do not fully tighten hardware.
7. Use a marker or masking tape to trace the outline of the Support Pad onto the plastic cover, **(Figure 12)**.
8. Continue along the Passenger/Right side to the last two clips, **(Figure 13)**. Insert (2) Spiral Bolts into the holes. Attach the Passenger/Right Rear Support Bracket to the Spiral Bolts with (2) 10mm Flat Washers, (2) 10mm Lock Washers and (2) 10mm Hex Nuts, **(Figure 14)**.
9. Hold the Passenger/Right Rear Mounting Bracket up to the bottom of the body. Line up the outer hole in the Bracket with the hole in the Support Bracket. Line up the inner end of the Mounting Bracket with the hole in the floor. Use a marker or masking tape to trace the outline of the Mounting Bracket onto the plastic cover.
10. Remove the plastic cover from the bottom of the body. Use a hacksaw blade or sharp knife to cut out the marked areas. Once cut, partially reinstall the cover. Leave the front and rear of the cover loose.
11. Move to the front mounting location. Select the 10mm “Long” Bolt Plate, **(Figure 15)**. Insert the Bolt Plate into the oval hole in the floor, **(Figure 16)**. Thread (1) 10mm Plastic Retainer onto the Bolt Plate to help hold in place. Use is not mandatory for installation. Attach the Passenger/Right Front Mounting Bracket to the Bolt Plate with (1) 10mm Flat Washer, (1) 10mm Lock Washer and (1) 10mm Hex Nut, **(Figure 17)**. Do not fully tighten hardware.
12. Continue to the rear mounting location. Thread (1) 10mm Fish Wire onto (1) 10mm “Short” Bolt Plate, **(Figure 18)**. Insert Fish Wire and 10mm “Short” Bolt Plate into the square hole and down through the round hole in the floor, **(Figures 19 & 20)**. Thread (1) 10mm Plastic Retainer onto the Bolt Plate to help hold in place. Use is not mandatory for installation. Attach the Passenger/Right Rear Mounting Bracket to the Bolt Plate with (1) 10mm Flat Washer, (1) 10mm Lock Washer and (1) 10mm Hex Nut, **(Figure 21)**. Do not fully tighten hardware.
13. Select the Passenger/Right Running Board. Line up the slots in the mounting tabs to the Support and Mounting Brackets. Select the Passenger/Right Center Mounting Bracket and slide in between the Center Support Bracket and mounting tab.
14. Attach the Running Board to the Brackets with (6) 10mm Hex Bolts, (12) 10mm Flat Washers and (6) 10mm Nylon Lock Nuts, **(Figure 22)**.
15. Move to the center Mounting Bracket. Select (1) Compression Plate.
 - a. Thread (1) 10mm Hex Nut to (1) 10mm x 70mm Hex Bolt.
 - b. Slide (1) 10mm Lock Washer and (1) 10mm Flat washer onto the 10mm Hex Bolt.
 - c. Thread the 10mm Hex Bolt assembly into the welded nut on the back of the Mounting Bracket. Place the Compression Plate onto the end of the 10mm Hex Bolt, **(Figures 23A & 23B)**.

- d. Tighten Hex Bolt to place the Compression Plate onto the floor panel. Do not tighten Hex Bolt all the way. **NOTE:** Use the 10mm Hex Nut to adjust the level of the Mounting Bracket.
- e. Follow link for Compression Plate installation. <https://youtu.be/R51s7Vk1Sy4>

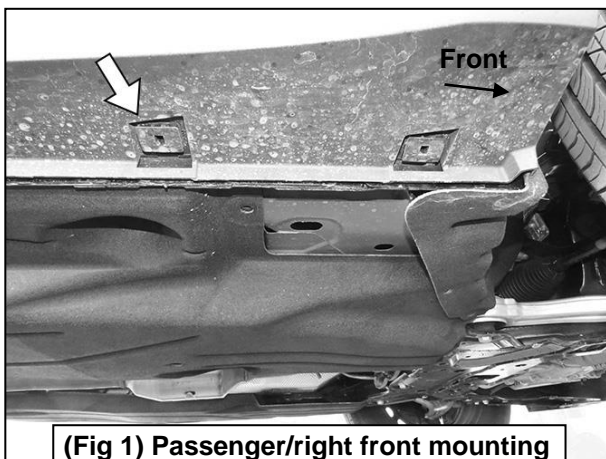


***Note: This may not be the same vehicle, but the same process applies**

- 16. Fully reattach plastic cover to floor.
- 17. Repeat **Steps 2—16** for Driver/Left Running Board installation.
- 18. Do periodic inspections to the installation to make sure that all hardware is secure and tight.

To protect your investment, Do not use any type of polish or wax that may contain abrasives that could damage the finish. Mild soap may be used to clean the Running Boards.

Passenger/right Side Installation Pictured

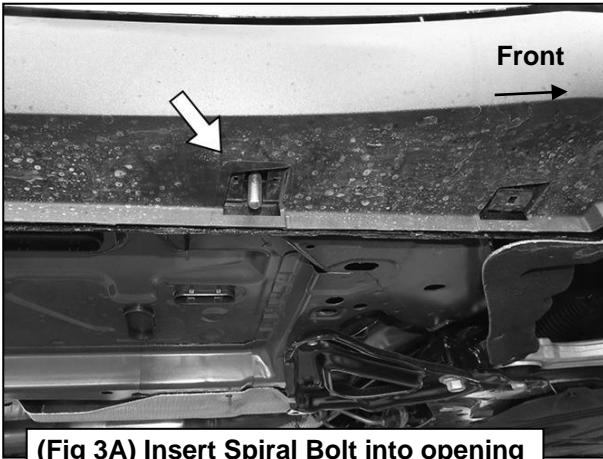


(Fig 1) Passenger/right front mounting location, remove clip (arrow)



(Fig 2) Passenger/right #2 clip removed

Passenger/right Side Installation Pictured



(Fig 3A) Insert Spiral Bolt into opening after removing clip (arrow)

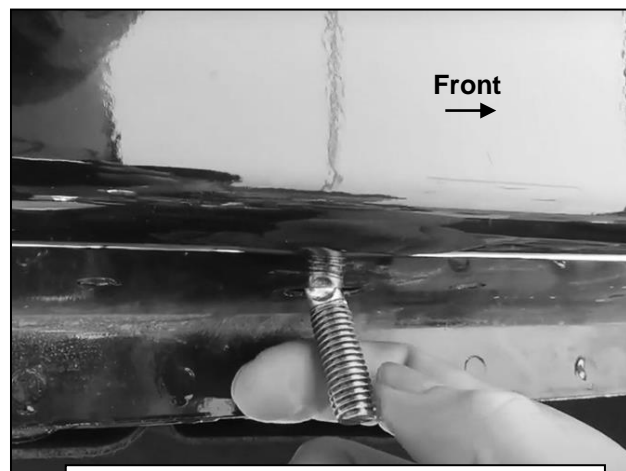
(Fig 3B) Follow link for 10mm Spiral Bolt installation.
<https://youtu.be/BqQis3QjZNc>



(Fig 4) Insert the tail on the Spiral Bolt into the slot, keeping the threads pointed outwards

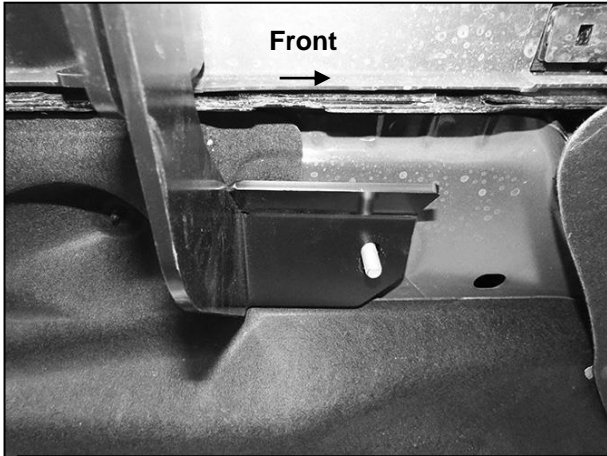
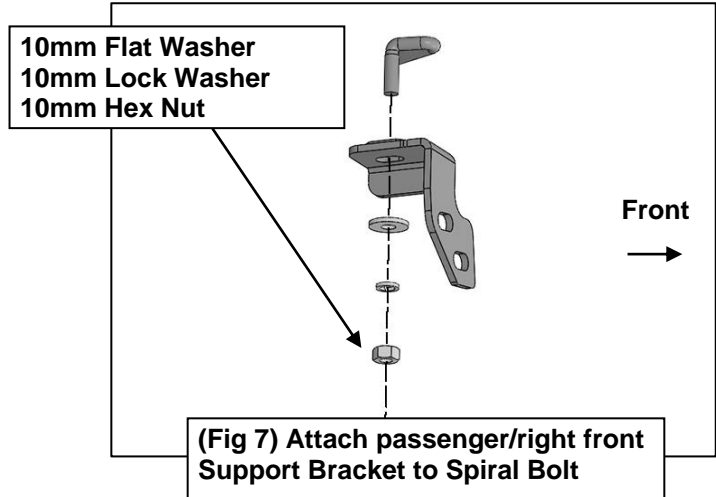


(Fig 5) Insert the bend on the tail into the slot, keeping the threads pointed outwards

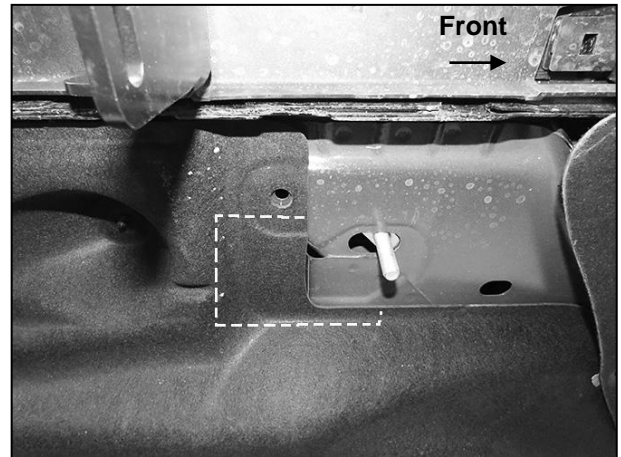


(Fig 6) Rotate the Spiral Bolt downwards

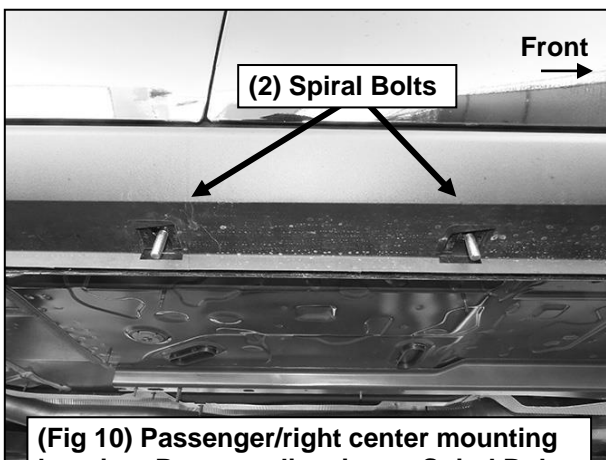
Passenger/right Side Installation Pictured



(Fig 8) Hold passenger/right front Bracket in place. Trace outline of Bracket onto cover



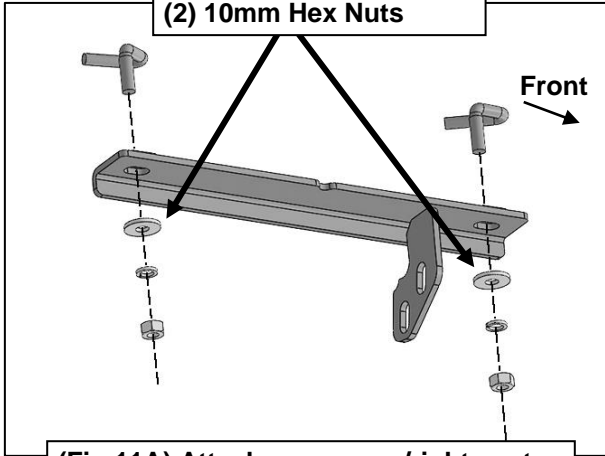
(Fig 9) Trace outline of passenger/right front Bracket onto cover



(Fig 10) Passenger/right center mounting location. Remove clips, insert Spiral Bolts. For Hybrid Models, insert (2) 8mm Nut Plates instead of the Spiral Bolts

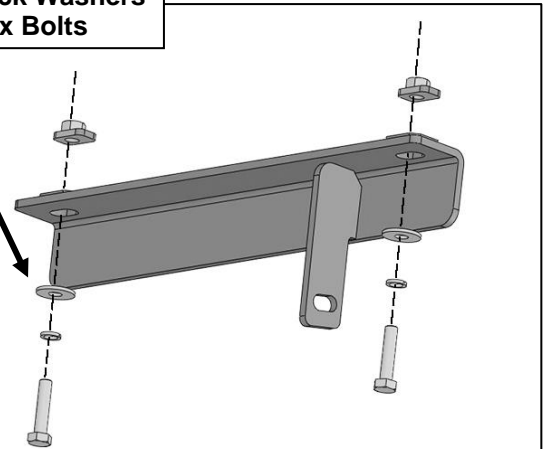
Passenger/right Side Installation Pictured

- (2) 10mm Flat Washers
- (2) 10mm Lock Washers
- (2) 10mm Hex Nuts

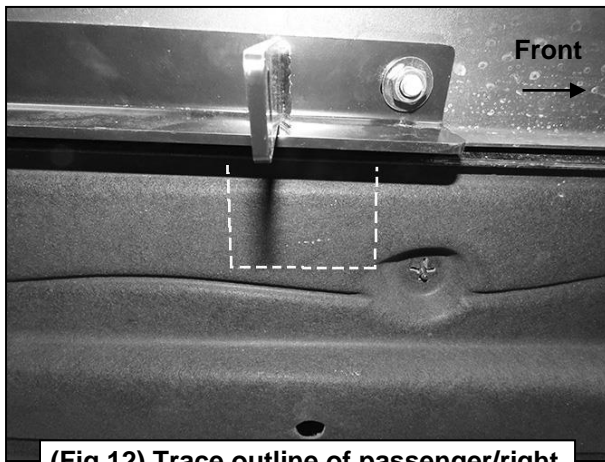


(Fig 11A) Attach passenger/right center Support Bracket to Spiral Bolts

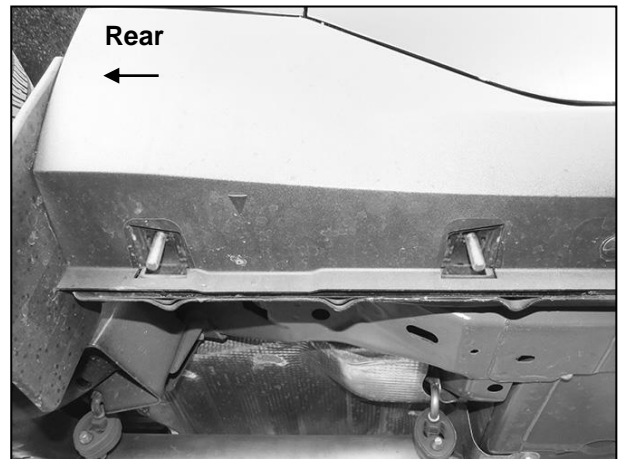
- (2) 8mm Flat Washers
- (2) 8mm Lock Washers
- (2) 8mm Hex Bolts



(Fig 11B) For Hybrid Models, attach passenger/right center Support Bracket the Nut Plates

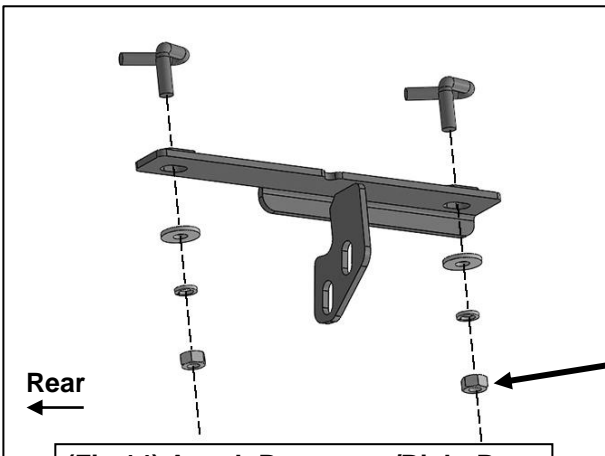


(Fig 12) Trace outline of passenger/right center Bracket Support Pad onto cover



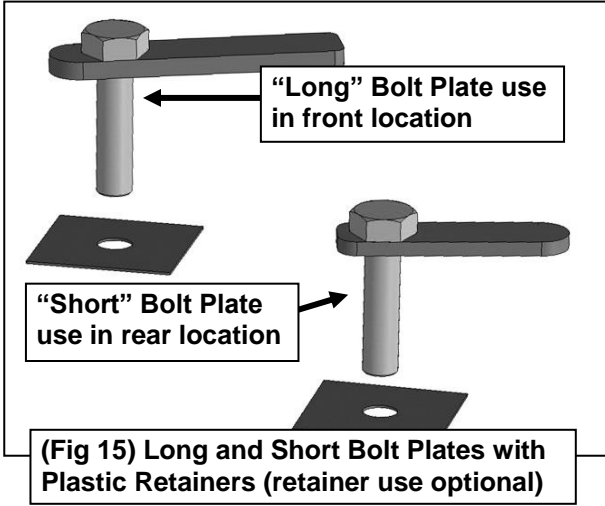
(Fig 13) Passenger/right rear mounting location. Remove clips, insert Spiral Bolts

- (2) 10mm Flat Washers
- (2) 10mm Lock Washers
- (2) 10mm Hex Nuts

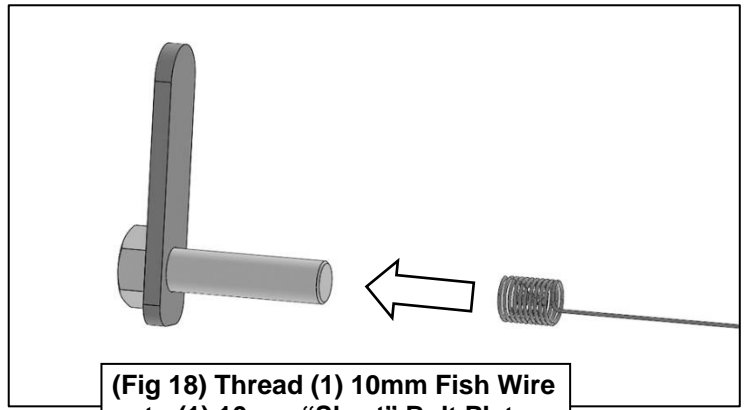
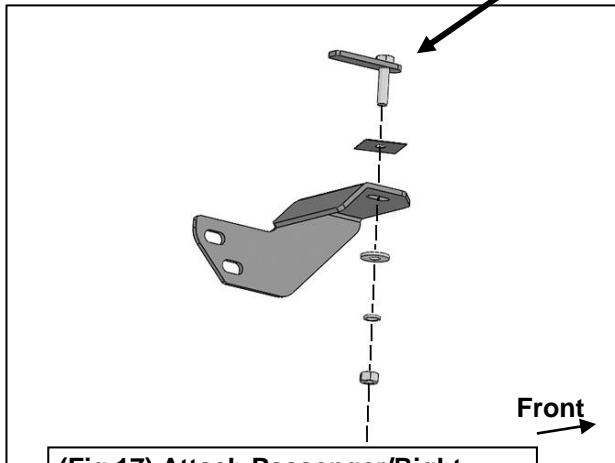


(Fig 14) Attach Passenger/Right Rear Support Bracket to Spiral Bolts

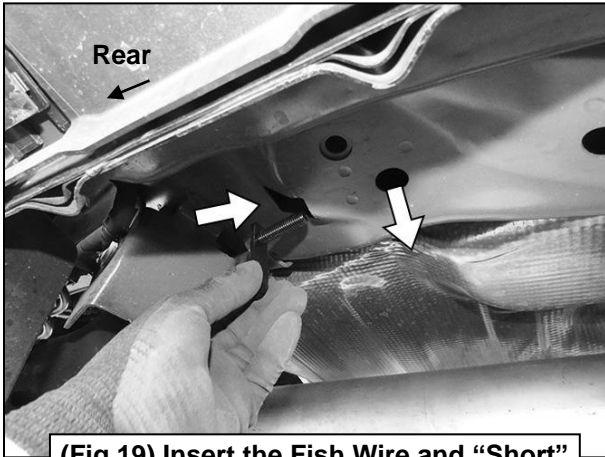
Passenger/right Side Installation Pictured



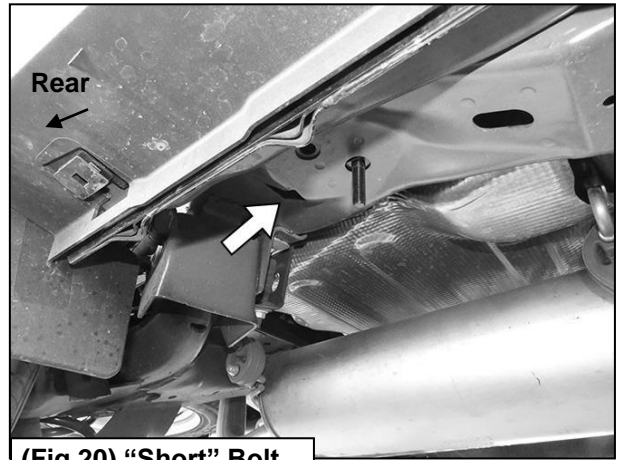
- 10mm Long Bolt Plate
- 10mm Plastic Retainer
- 10mm Flat Washer
- 10mm Lock Washer
- 10mm Hex Nut



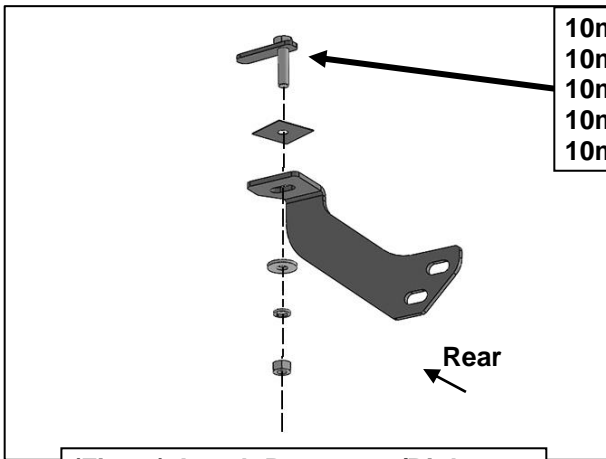
Passenger/right Side Installation Pictured



(Fig 19) Insert the Fish Wire and "Short" Bolt Plate assembly into square hole and down through floor (arrow)

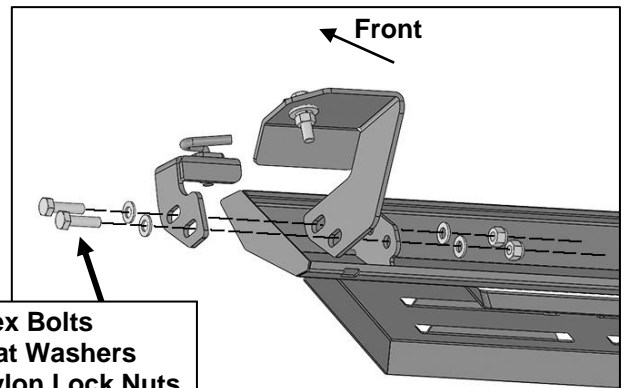


(Fig 20) "Short" Bolt Plate installed (arrow)



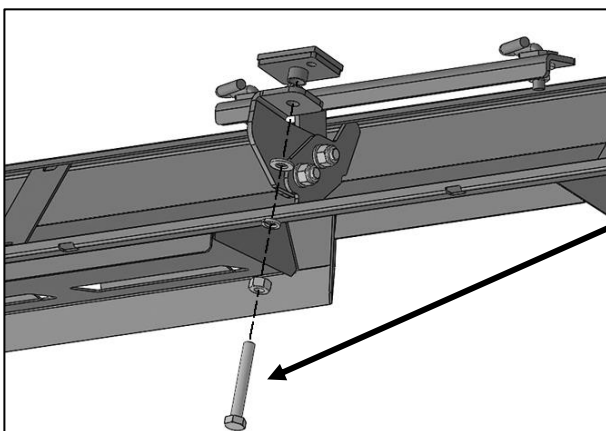
- 10mm Short Bolt Plate
- 10mm Plastic Retainer
- 10mm Flat Washer
- 10mm Lock Washer
- 10mm Hex Nut

(Fig 21) Attach Passenger/Right rear Mounting Bracket to Bolt Plate



- (2) 10mm Hex Bolts
- (4) 10mm Flat Washers
- (2) 10mm Nylon Lock Nuts

(Fig 22) Attach Passenger/Right Running Board to Mounting Brackets



- 10mmx 70mm Hex Bolt
- 10mm Hex Nut
- 10mm Lock Washer
- 10mm Small Flat Washer

(Fig 23A) Assemble Passenger/Right Center Mounting Bracket with Support Pad



(Fig 23B) Follow link for Compression Plate installation.
<https://youtu.be/R51s7Vk1Sy4>