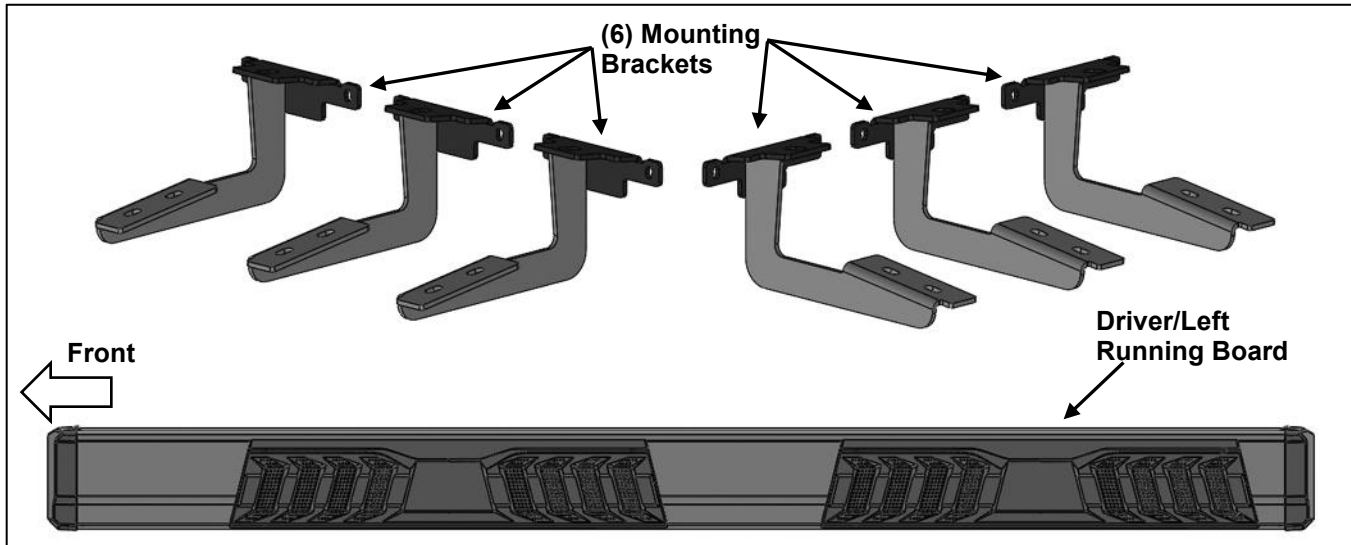


Parts List:

1	Driver/Left S6 Running Board	6	8mm x 35mm Double Bolt Plates
1	Passenger/Right S6 Running Board	12	8mm x 24mm OD x 2mm Flat Washers
6	Mounting Brackets	12	8mm Nylon Lock Nuts
6	12mm x 40mm Bolt Plates	12	6mm x 25mm Hex Bolts
6	12mm x 24mm OD x 2.5mm Flat Washers	12	6mm x 22mm OD x 2mm Large Flat Washers
6	12mm Serrated Flange Nuts	12	6mm x 18mm OD x 1.6mm Small Flat Washers
6	12mm Plastic Retainers	12	6mm Nylon Lock Nuts



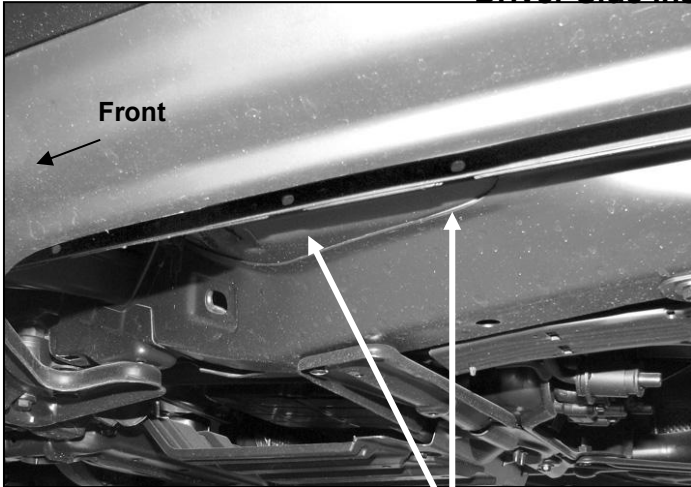
PROCEDURE:

REMOVE CONTENTS FROM BOX. VERIFY ALL PARTS ARE PRESENT. READ INSTRUCTIONS CAREFULLY BEFORE STARTING INSTALLATION.

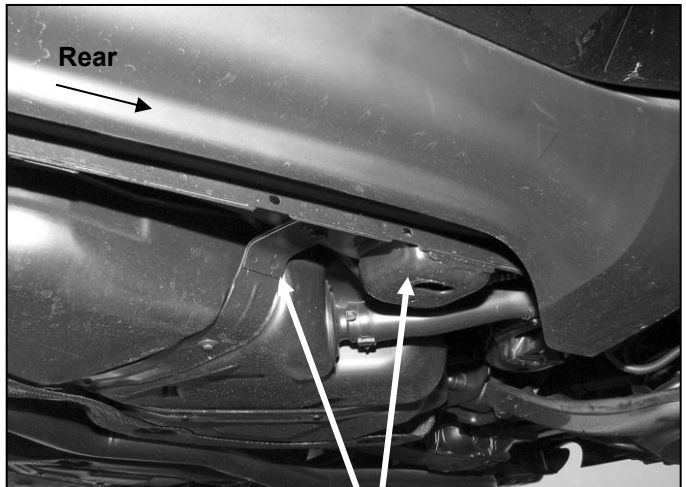
- Starting at the driver side, locate the (3) pairs of factory holes in the pinch weld, **(Figure 1 & 2)**. Move toward the front pair. Remove the rubber plug filling the oval hole in the bottom of the rocker panel in front of the two holes, **(Figure 3)**. Select (1) 12mm Bolt Plate and (1) 12mm Plastic Retainer. Partially thread the Retainer onto the Bolt Plate. Insert the Bolt Plate into the hole and rotate it 90-degrees to go across the slot, **(Figure 4)**. Thread the Retainer all the way down the Bolt Plate and tight against the body panel, **(Figure 5)**. **NOTE:** The Plastic Retainer is designed to prevent the Bolt Plate from falling into the body cavity and to aid in installing the Brackets.
- Select (1) Mounting Bracket and secure it to the Bolt Plate with (1) 12mm x 24mm Flat Washer and (1) 12mm Serrated Flange Nut, **(Figure 6)**. Do not tighten hardware.
- Line up the (2) small slots in the Bracket with the (2) holes in the pinch weld. Bolt the Bracket to the outside of the pinch weld with (2) 6mm x 25mm Hex Bolts, (2) 6mm x 22mm Large Flat Washers, (outside against Bracket), (2) 6mm x 18mm Flat Washers, (inside against pinch weld), and (2) 6mm Nylon Lock Nuts, **(Figure 7)**. Do not tighten hardware.
- Repeat **Steps 1 – 3** to install the center and rear Brackets.
- Unwrap the Driver/Left S6 Running Board. Select (3) 8mm Double Bolt Plates, **(Figure 8)**. Insert the Bolt Plates into the channel in the bottom of the Running Board.
- Place the Running Board on top of the (3) Mounting Brackets. Lift the Running Board up and guide the studs down through the Brackets. **IMPORTANT:** Do not slide the Running Board on the Brackets, (front to back or rotate), or the finish on the Running Board may be damaged.
- Attach the Running Board to the Brackets with (6) 8mm Flat Washers and (6) 8mm Nylon Lock Nuts, **(Figure 9)**. Do not tighten hardware.
- Adjust and level the Running Board and tighten all hardware.
- Repeat **Steps 1 – 6** for passenger/right Running Board installation.
- Do periodic inspections to the installation to make sure that all hardware is secure and tight.

To protect your investment, Do not use any type of polish or wax that may contain abrasives that could damage the finish. Mild soap may be used to clean the Running Board.

Driver Side Installation Pictured



(Fig 1) Driver side front mounting location pictured



(Fig 2) Driver side rear mounting location pictured

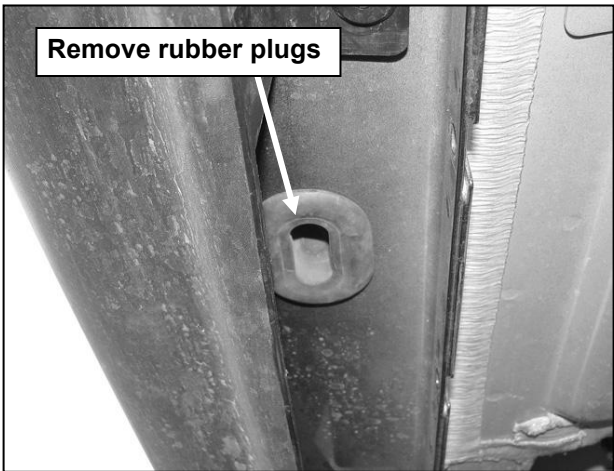


Fig 3

- (1) 12mm x 40mm Bolt Plate
- (1) 12mm Plastic Retainer
- (1) 12mm x 24mm Flat Washer
- (1) 12mm Flange Nut

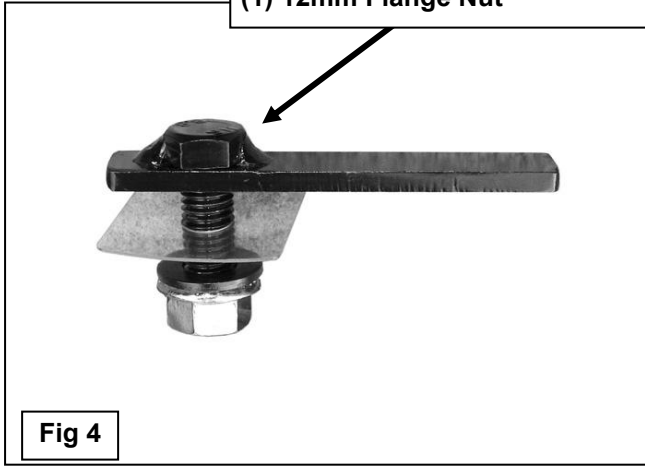


Fig 4

Driver Side Installation Pictured

After inserting, rotate Bolt Plate 90-degrees to go across the slot or until Bolt Plate stops

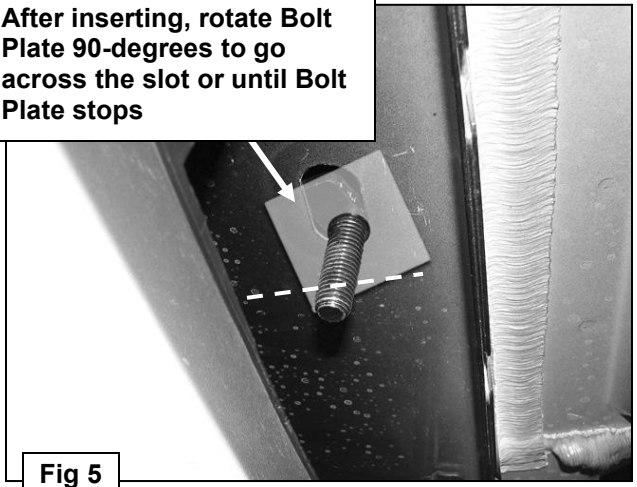


Fig 5

12mm Bolt Plate
 12mm Plastic Retainer
 12mm Flat Washer
 12mm Flange Nut

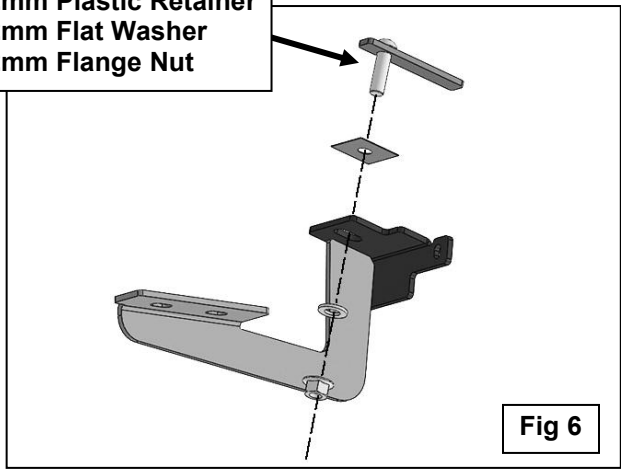


Fig 6

(2) 6mm Hex Bolts
 (2) 6mm x 18mm Small Flat Washers
 (2) 6mm x 22mm Large Flat Washers
 (2) 6mm Nylon Lock Nuts

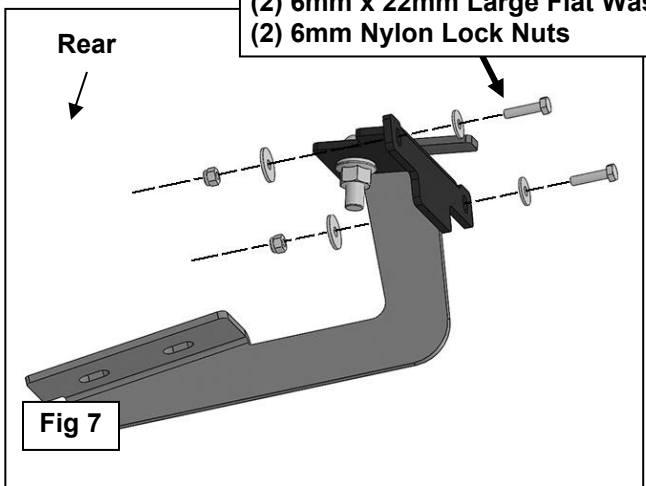
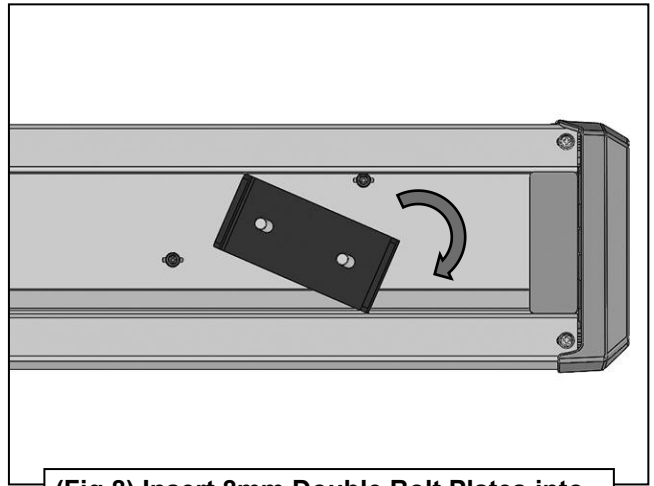


Fig 7



(Fig 8) Insert 8mm Double Bolt Plates into tracks on the bottom of the Running Board

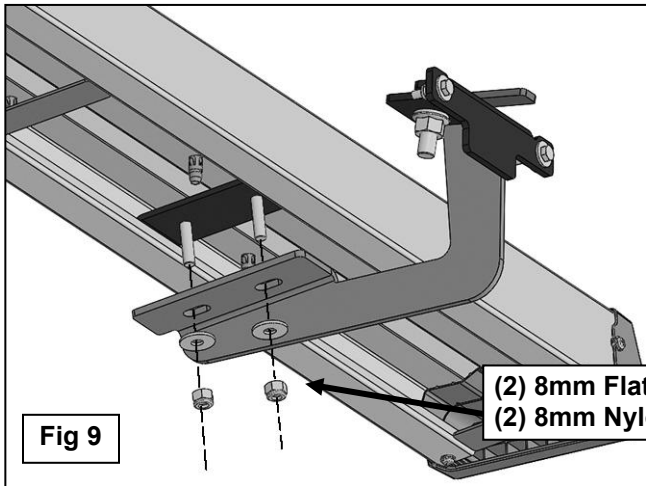


Fig 9

(2) 8mm Flat Washers
 (2) 8mm Nylon Lock Nuts