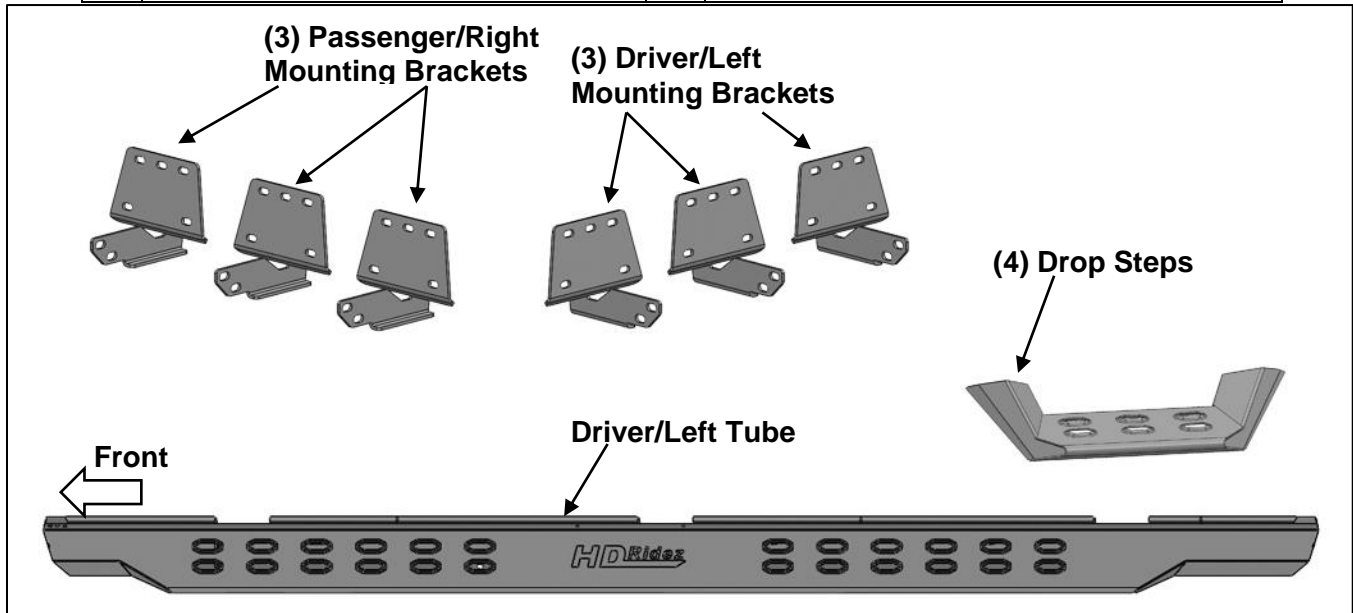


PARTS LIST:

1	Driver/Left Tube	12	10mm Nylon Lock Nuts
1	Passenger/Right Tube	8	8mm x 25mm Triangle Double Bolt Plates
4	Driver/Left Drop Steps	18	8mm x 24mm OD x 2mm Flat Washers
6	Mounting Brackets	16	8mm x 22mm OD x 2mm Flat Washers
12	10mm x 30mm Hex Bolts	34	8mm Nylon Lock Nuts
24	10mm x 20mm OD x 2mm Flat Washers		

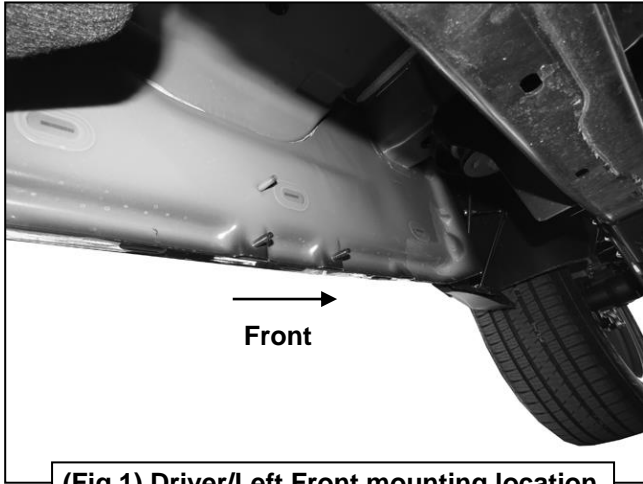


PROCEDURE:

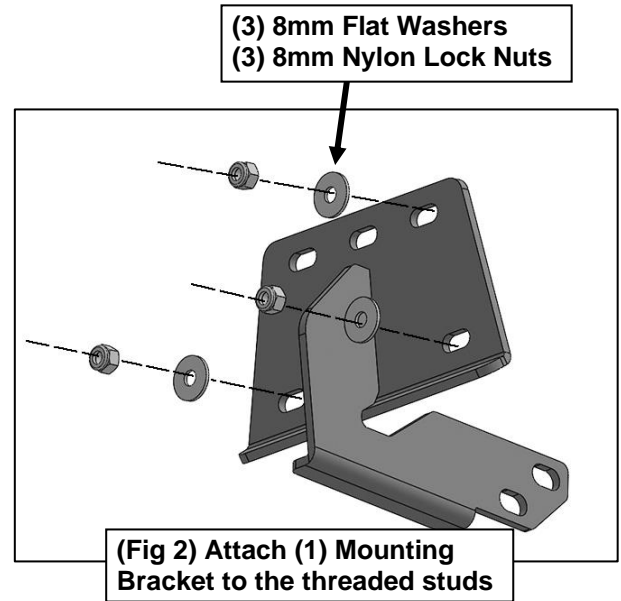
- 1. REMOVE CONTENTS FROM BOX. VERIFY ALL PARTS ARE PRESENT. READ INSTRUCTIONS CAREFULLY BEFORE STARTING INSTALLATION. USE WIRE BRUSH TO CLEAN MOUNTING STUDS OF PAINT AND DEBRIS.**
- Start the installation under the Driver/Left side of the vehicle. Locate the front (3) factory studs along the inner side of the body panel, **(Figure 1)**.
- Select (1) Driver/Left Mounting Bracket. Attach the Mounting Bracket to the (3) factory studs with (3) 8mm Flat Washers and (3) 8mm Nylon Lock Nuts, **(Figure 2)**. Leave hardware loose at this time.
- Repeat **Steps 1—3** to attach the remaining (2) Driver/Left Mounting Brackets to the center and rear mounting locations along the body panel, **(Figures 3 & 4)**.
- Select the Driver/Left Tube. Insert (2) 8mm Double Bolt Plates into the front (2) sets of (2) holes, **(Figure 5)**. Attach (1) Drop Step to the (2) Triangle Double Bolt Plates with (4) 8mm x 22mm Flat Washers and (4) 8mm Nylon Lock Nuts, **(Figure 6)**. Do not tighten hardware.
- With assistance, line up the mounting tabs in the Driver/Left Tube to the rear faces of the Mounting Brackets. Secure the Tube to the Mounting Brackets with (6) 10mm Hex Bolts, (12) 10mm x 20mm Flat Washers and (6) 10mm Nylon Lock Nuts, **(Figure 7)**. Do not tighten hardware.
- Level and adjust the Overland Step, then tighten all hardware.
- Repeat **Steps 1—7** to attach the Passenger/Right Overland Step.
- Do periodic inspections to the installation to make sure that all hardware is secure and tight.

To protect your investment: Do not use any type of polish or wax that may contain abrasives that could damage the finish. Mild soap may be used also to clean the Overland Steps.

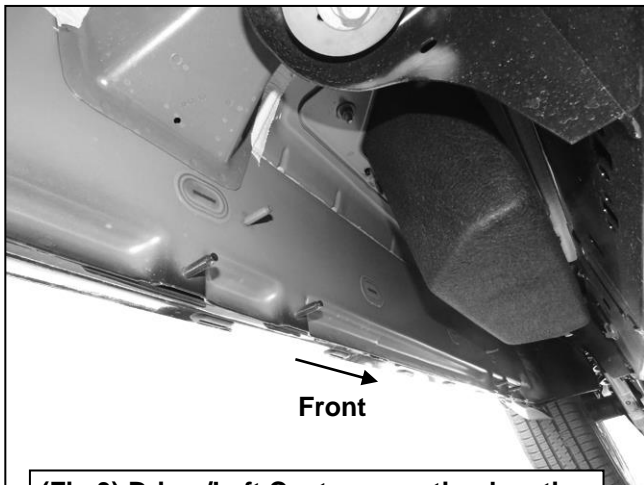
Driver/Left Side Installation Pictured



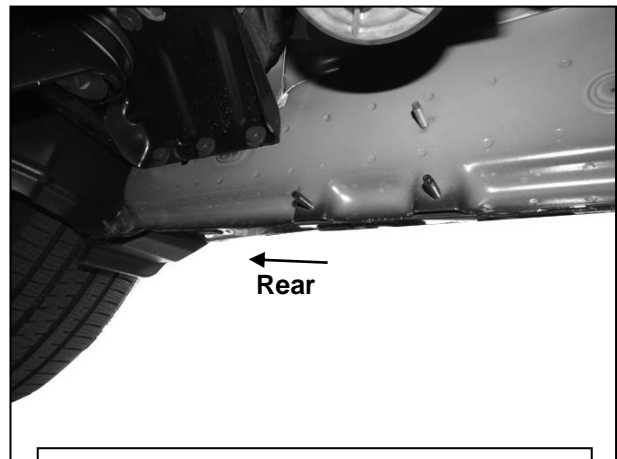
(Fig 1) Driver/Left Front mounting location



(Fig 2) Attach (1) Mounting Bracket to the threaded studs

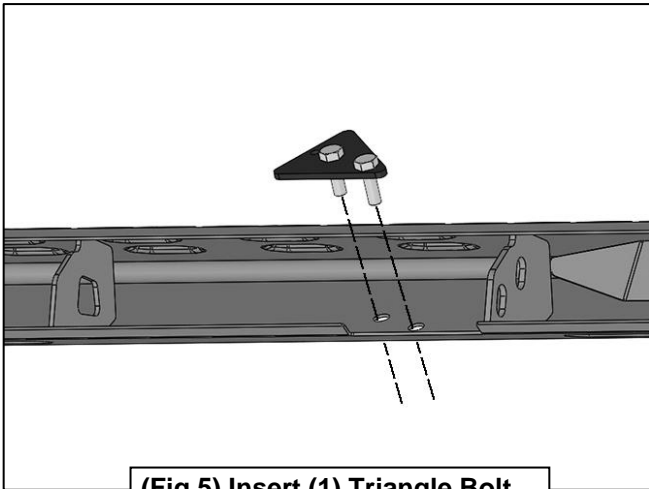


(Fig 3) Driver/Left Center mounting location

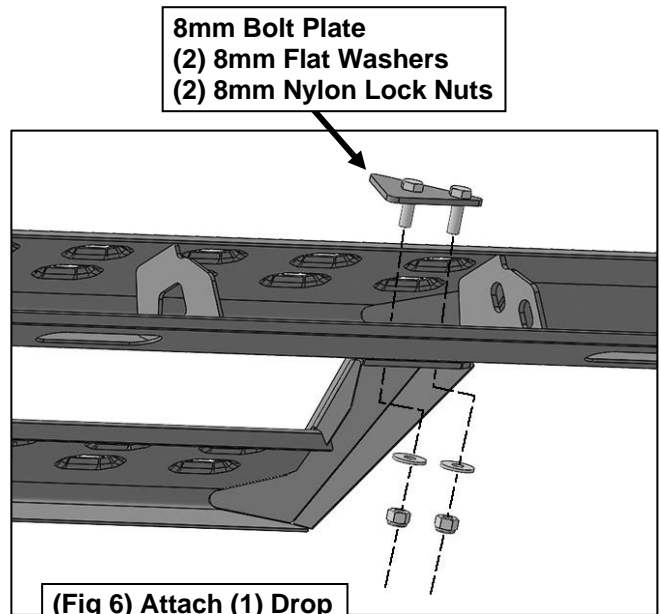


(Fig 4) Driver/Left Rear mounting location

Driver/Left Side Installation Pictured

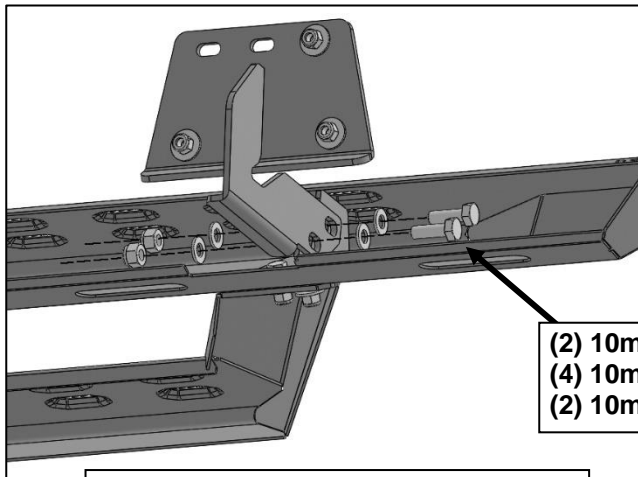


(Fig 5) Insert (1) Triangle Bolt Plate into the holes in the Tube



- 8mm Bolt Plate
- (2) 8mm Flat Washers
- (2) 8mm Nylon Lock Nuts

(Fig 6) Attach (1) Drop Step to (2) Bolt Plates



- (2) 10mm Hex Bolts
- (4) 10mm Flat Washers
- (2) 10mm Nylon Lock Nuts

(Fig 7) Attach the Driver/Left Overland Slider to the (3) Mounting Brackets