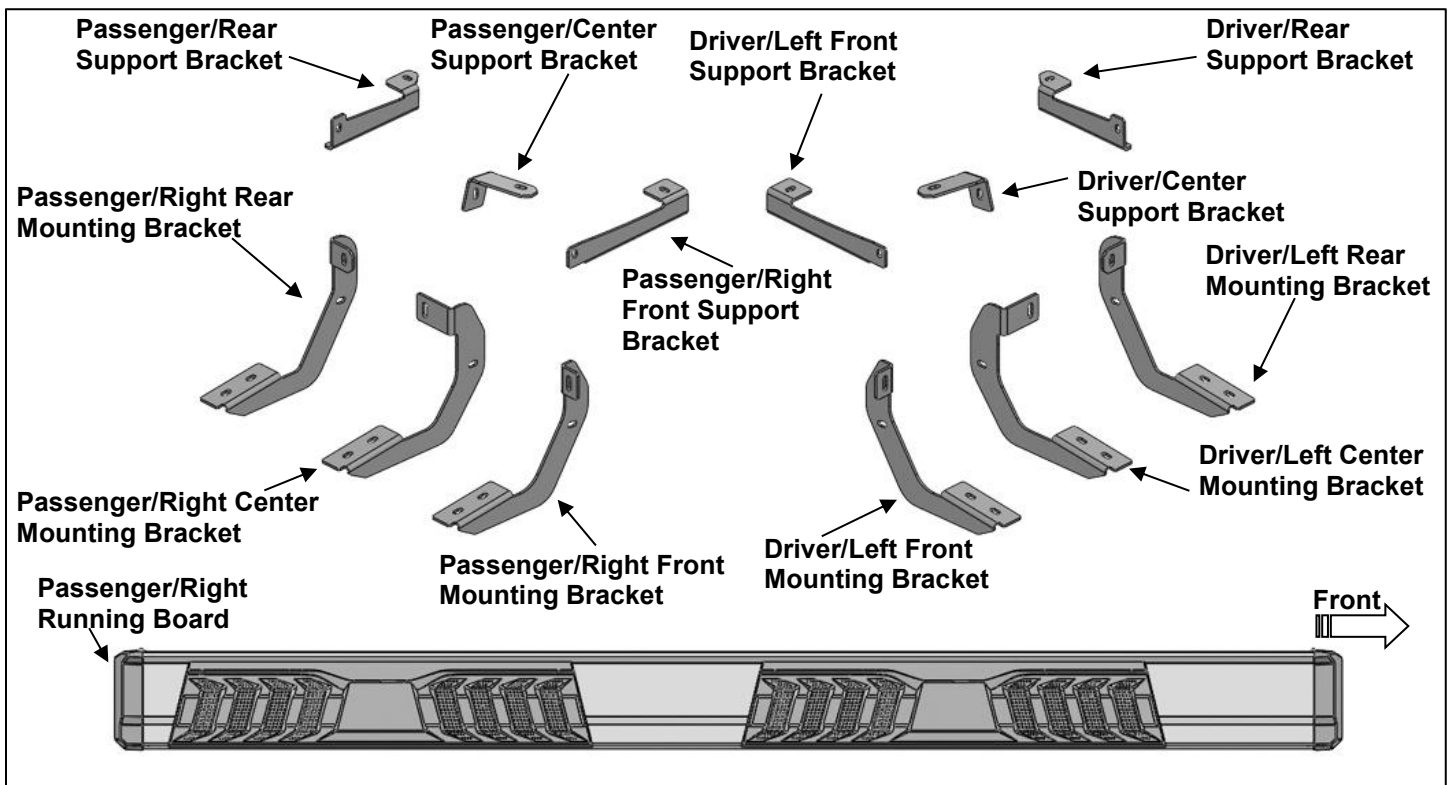


PARTS LIST:

1	Driver/Left S6 Running Board	2	10mm J-Bolts
1	Passenger/Right S6 Running Board	2	10mm x 20mm x 2mm Flat Washers
1	Driver/Left Front Mounting Bracket	2	10mm Lock Washers
1	Passenger/Right Front Mounting Bracket	2	10mm Hex Nuts
1	Driver/Left Center Mounting Bracket	2	10mm Plastic Retainers
1	Passenger/Right Center Mounting Bracket	6	8mm x 35mm Double Bolts Plates
1	Driver/Left Rear Mounting Bracket	10	8mm x 30mm Single Bolt Plates
1	Passenger/Right Rear Mounting Bracket	6	8mm x 30mm Hex Bolts
1	Driver/Left Front Support Bracket	34	8mm x 24mm OD x 2mm Flat Washers
1	Passenger/Right Front Support Bracket	16	8mm Lock Washers
1	Driver/Left Center Support Bracket	16	8mm Hex Nuts
1	Passenger/Right Center Support Bracket	12	8mm Nylon Lock Nuts
1	Driver/Left Rear Support Bracket	10	8mm Plastic Retainers
1	Passenger/Right Rear Support Bracket	2	2mm Spacers



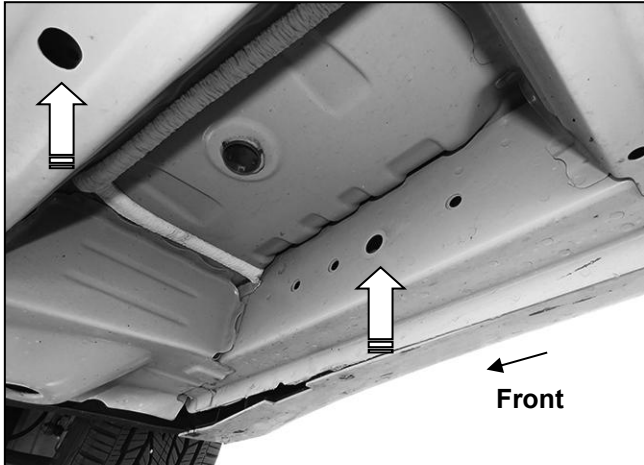
PROCEDURE:

1. REMOVE CONTENTS FROM BOX. VERIFY ALL PARTS ARE PRESENT. READ INSTRUCTIONS CAREFULLY BEFORE STARTING INSTALLATION.
2. Start installation on the Passenger/Right side of the vehicle. Locate the front mounting location, (Figure 1). Remove the rubber plug from the inner body panel.
3. Select (1) 8mm Bolt Plate. Thread (1) 8mm Plastic Retainer onto the Bolt Plate. **NOTE:** The Plastic Retainer is designed to help hold the Bolt Plate in place and to prevent the Bolt Plate from falling into the body panel. Insert the Bolt Plate into the front mounting location.
4. Select the Passenger/Right Front Mounting Bracket. Attach the bracket to the Bolt Plate with (1) 8mm Flat Washer, (1) 8mm Lock Washer and (1) 8mm Hex Nut, (Figures 3 & 4). Do not tighten hardware. **NOTE:** The mounting brackets are similar but are unique, refer to Fig 2 to determine the difference.
5. Select (1) 8mm Bolt Plate. Thread (1) 8mm Plastic Retainer onto the Bolt Plate. Insert the Bolt Plate into the hole in the bottom of the frame, (Figure 1). Select the Passenger/Right Front Support Bracket. Attach the inner bent end of the Support Bracket to the Bolt Plate with (1) 8mm Flat Washer, (1) 8mm Lock Washer and (1) 8mm Hex Nut, (Figure 5).

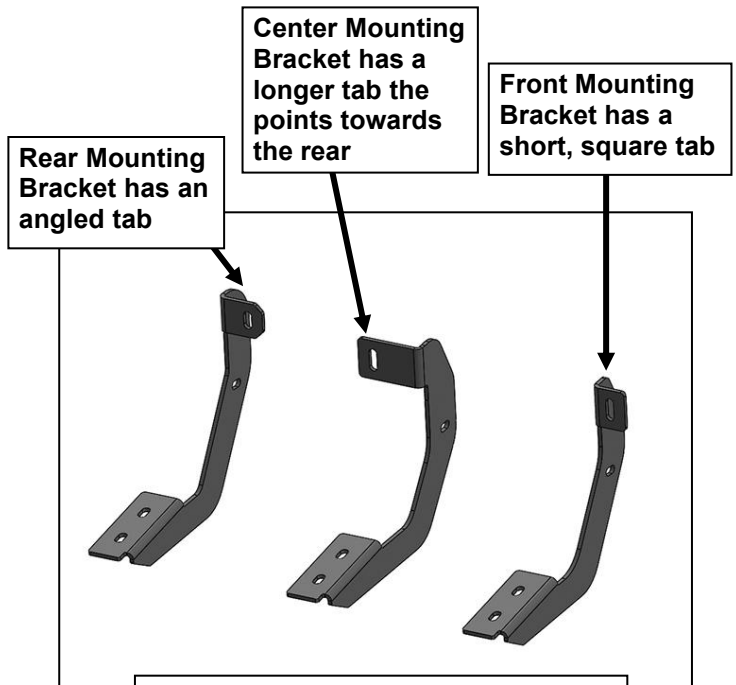
6. Attach the flat outer end of the Support Bracket to the front of the Mounting Bracket with (1) 8mm x 30mm Hex Bolt, (2) 8mm Flat Washers, (1) 8mm Lock Washer and (1) 8mm Hex Nut, **(Figures 6 & 7)**. Do not tighten hardware.
7. Move along the body panel to the center mounting location, **(Figure 8)**. Remove the rubber plug from the inner body panel. Insert (1) 8mm Bolt Plate with Plastic Retainer into the hole in the body panel. Select the Passenger/Right Center Mounting Bracket. Repeat **Steps 3 & 4** to attach the Bracket to the Bolt Plate, **(Figures 9 & 11)**. Do not tighten hardware.
8. Select the Passenger/Right Center Support Bracket. Hold the Bracket up in position to determine correct mounting location. Insert (1) 10mm J-Bolt, if necessary, use a 7/16" drill bit (not included) to open up the small hole in the bottom of the body panel reinforcement, **(Figure 8)**. Select (1) 10mm Plastic Retainer. Thread the Plastic Retainer onto the J-Bolt to hold it in place.
9. Attach the Passenger/Right Center Support Bracket to the J-Bolt with (1) 2mm Spacer, (1) 10mm Flat Washer, (1) 10mm Lock Washer and (1) 10mm Hex Nut, **(Figures 10 & 12)**. Attach the Support Bracket to the front of the Center Mounting Bracket with (1) 8mm x 30mm Hex Bolt, (2) 8mm Flat Washers, (1) 8mm Lock Washer and (1) 8mm Hex Nut, **(Figures 10 & 12)**. Do not tighten hardware.
10. Move to the rear mounting location, **(Figure 13)**. Remove the plug from the inner body panel. Select the Passenger/Right Rear Mounting Bracket. Repeat **Steps 3 & 4** to attach the Bracket to the Bolt Plate in the body panel, **(Figure 14)**.
11. Select (1) 8mm Bolt Plate. Select the Passenger/Right Rear Support Bracket. Repeat **Steps 5 & 6** to attach the Support Bracket to the frame and the Mounting Bracket, **(Figures 15 & 16)**. Do not tighten hardware.
12. Unwrap the Passenger/Right S6 Running Board. Select (3) 8mm Double Bolt Plates, **(Figure 17)**. Insert the Bolt Plates into the channel in the bottom of the Running Board.
13. Place the Running Board on top of the (3) Mounting Brackets. Lift the Running Board up and guide the studs down through the Brackets. **IMPORTANT:** Do not slide the Running Board on the Brackets, (front to back or rotate), or the finish on the Running Board may be damaged.
14. Attach the Running Board to the Brackets with (6) 8mm Flat Washers and (6) 8mm Nylon Lock Nuts, **(Figure 18)**. Do not tighten hardware.
15. Level and adjust the Running Board and tighten all hardware at this time.
16. Repeat **Steps 2—15** to install the Driver/Left Running Board.
17. Do periodic inspections to the installation to make sure that all hardware is secure and tight.

To protect your investment, Do not use any type of polish or wax that may contain abrasives that could damage the finish. Mild soap may be used also to clean the Running Boards.

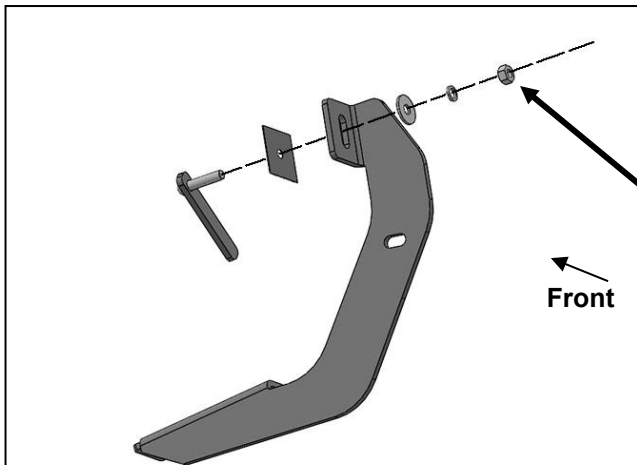
Passenger/Right Side Installation Pictured



(Fig 1) Passenger/Right front mounting location

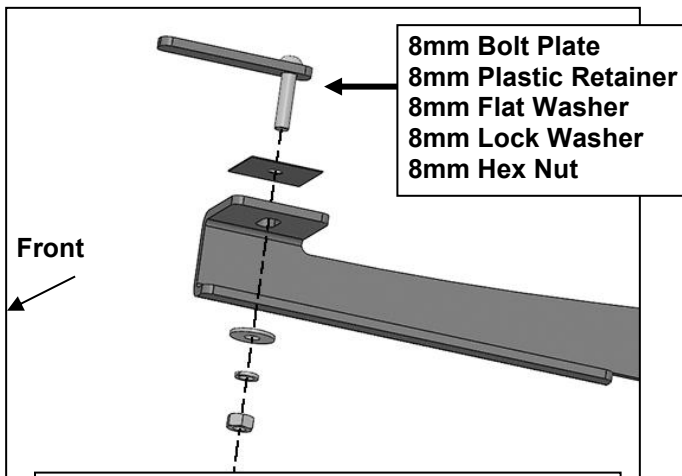


(Fig 2) Mounting Brackets are unique

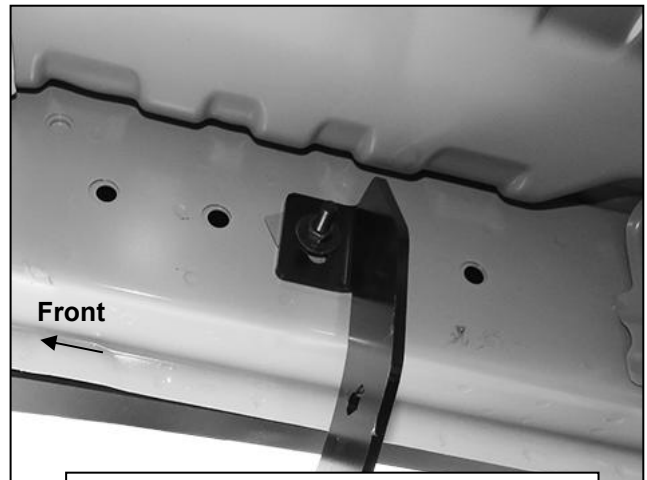


(Fig 3) Attach Passenger/Right Front Mounting Bracket to Bolt Plate in body panel

- 8mm Bolt Plate
- 8mm Plastic Retainer
- 8mm Flat Washer
- 8mm Lock Washer
- 8mm Hex Nut

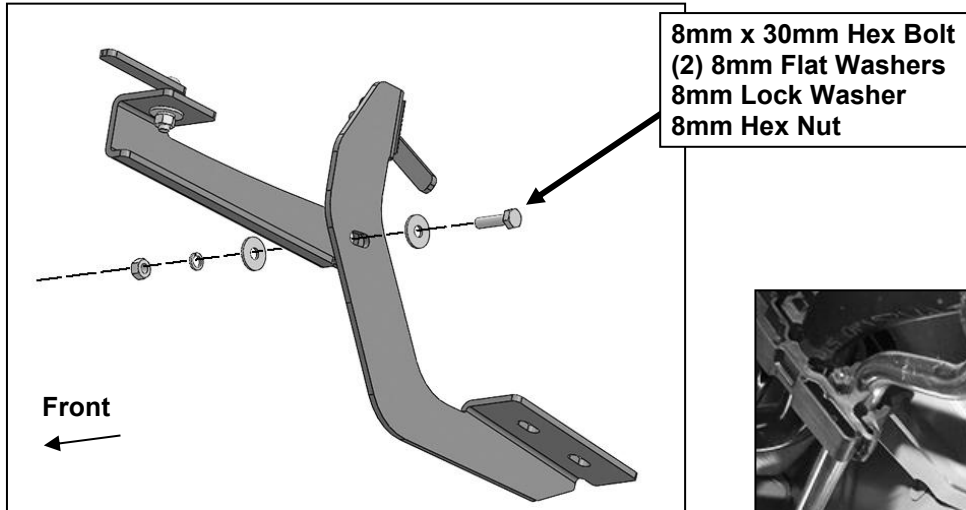


(Fig 5) Attach inner end of Passenger/Right Front Support Bracket to Bolt Plate in frame

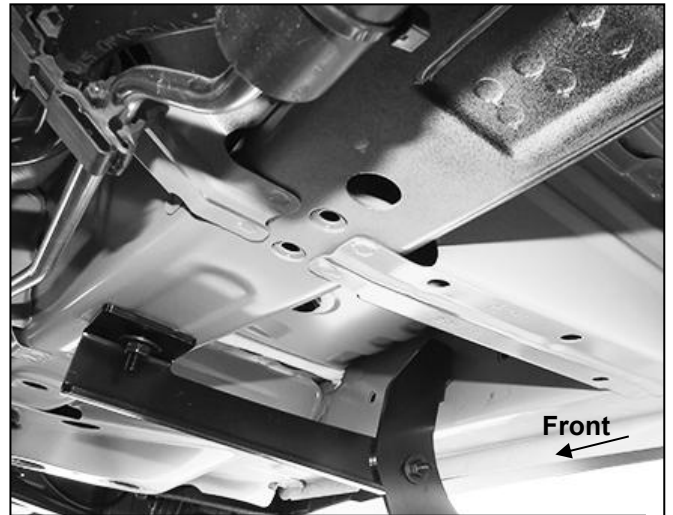


(Fig 4) Passenger/Right Front Mounting Bracket attached to inner body panel

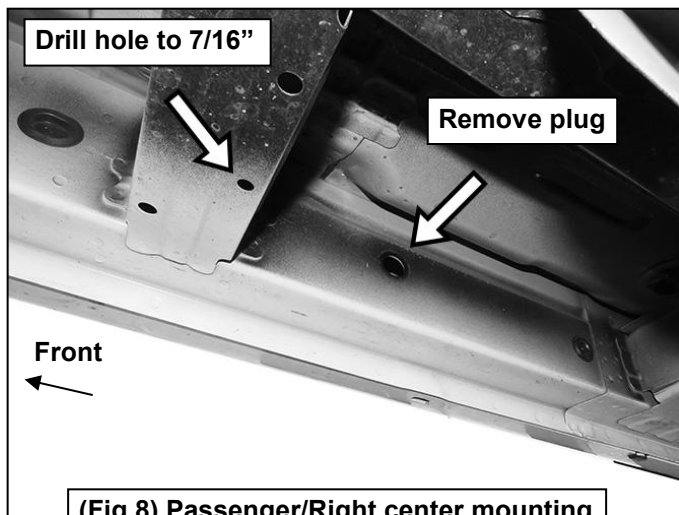
Passenger/Right Side Installation Pictured



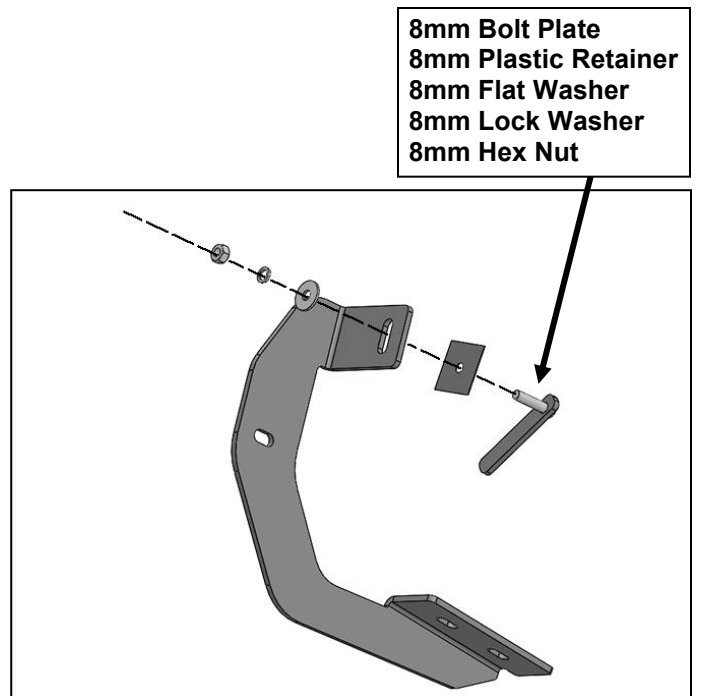
(Fig 6) Attach Passenger/Right Front Support Bracket to Mounting Bracket



(Fig 7) Passenger/Right Front Brackets attached

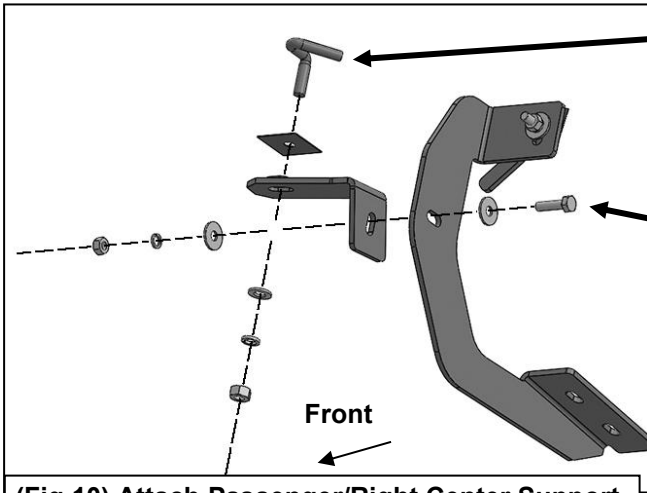


(Fig 8) Passenger/Right center mounting location. If necessary, drill out small hole to 7/16" to fit J-Bolt



(Fig 9) Attach Passenger/Right Center Mounting Bracket to Bolt Plate in body panel

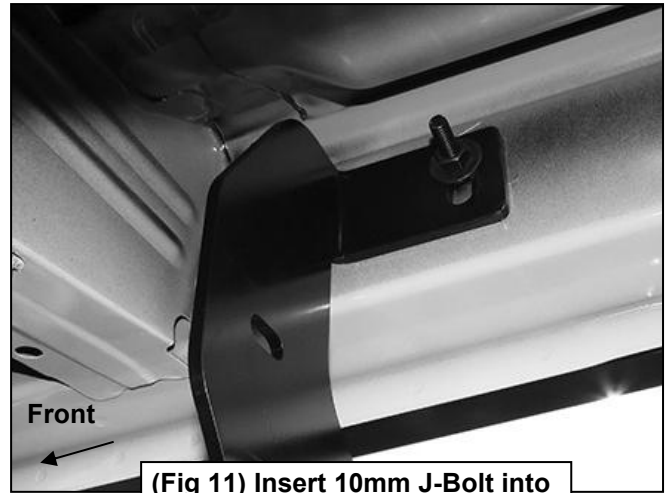
Passenger/Right Side Installation Pictured



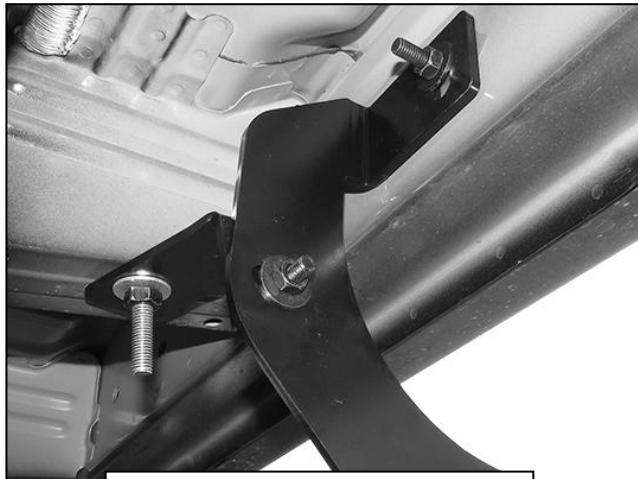
- 10mm J-Bolt
- 10mm Plastic Retainer
- 2mm Spacer
- 10mm Flat Washer
- 10mm Lock Washer
- 10mm Hex Nut

- 8mm x 30mm Hex Bolt
- (2) 8mm Flat Washers
- 8mm Lock Washer
- 8mm Hex Nut

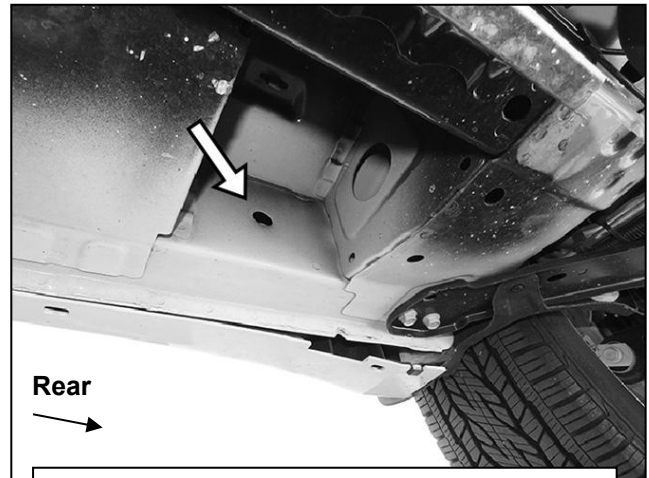
(Fig 10) Attach Passenger/Right Center Support Bracket to Mounting Bracket and J-Bolt



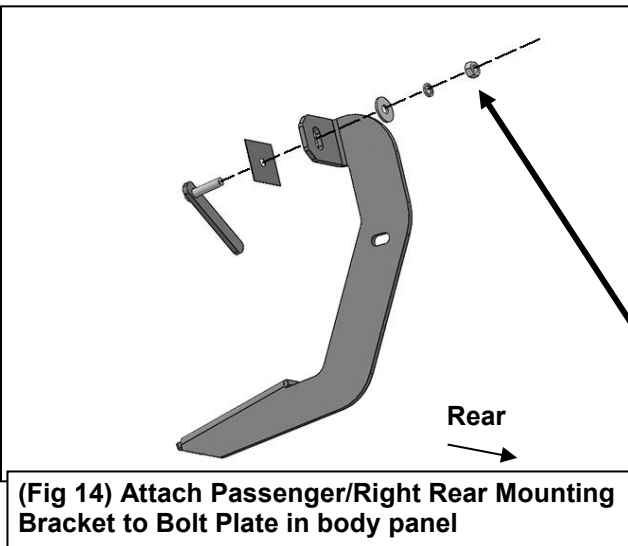
(Fig 11) Insert 10mm J-Bolt into the hole in bottom of support



(Fig 12) Passenger/Right Center Support Bracket attached



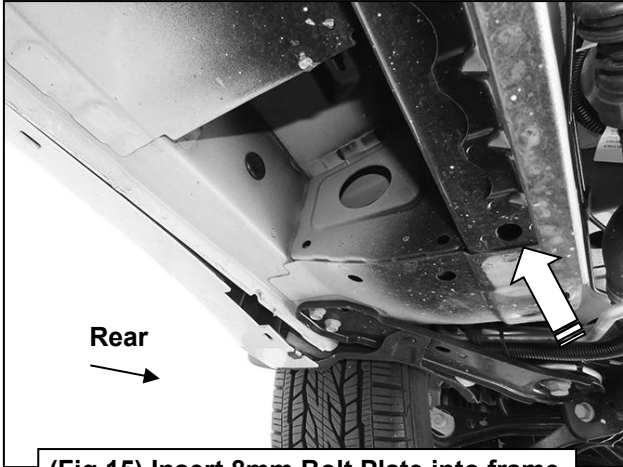
(Fig 13) Remove plug from Passenger/Right rear mounting location



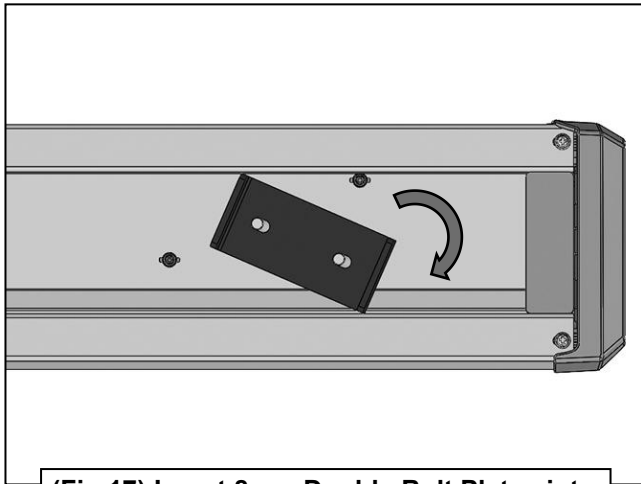
(Fig 14) Attach Passenger/Right Rear Mounting Bracket to Bolt Plate in body panel

- 8mm Bolt Plate
- 8mm Plastic Retainer
- 8mm Flat Washer
- 8mm Lock Washer
- 8mm Hex Nut

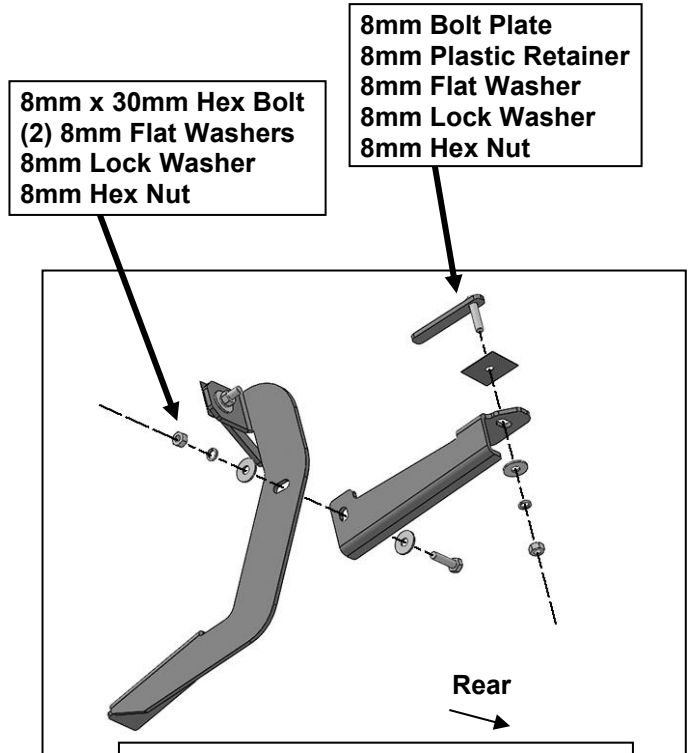
Passenger/Right Side Installation Pictured



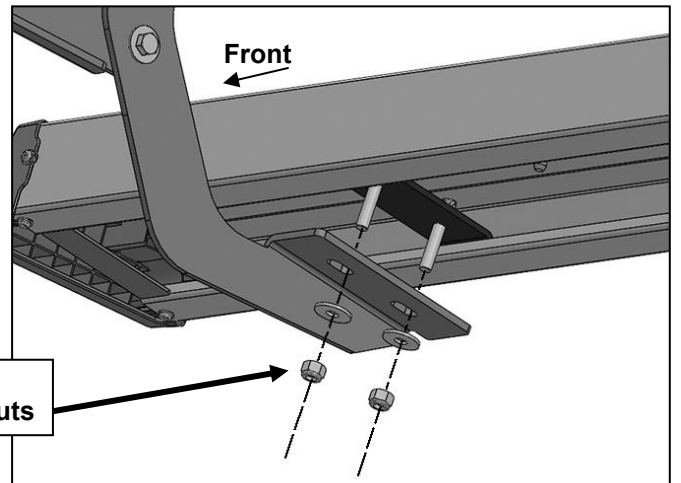
(Fig 15) Insert 8mm Bolt Plate into frame



(Fig 17) Insert 8mm Double Bolt Plates into tracks on the bottom of the Running Board



(Fig 16) Attach Passenger/Right Rear Support Bracket to bolt plate in frame



(2) 8mm Flat Washers
(2) 8mm Nylon Lock Nuts

(Fig 18) Passenger/Right front installation