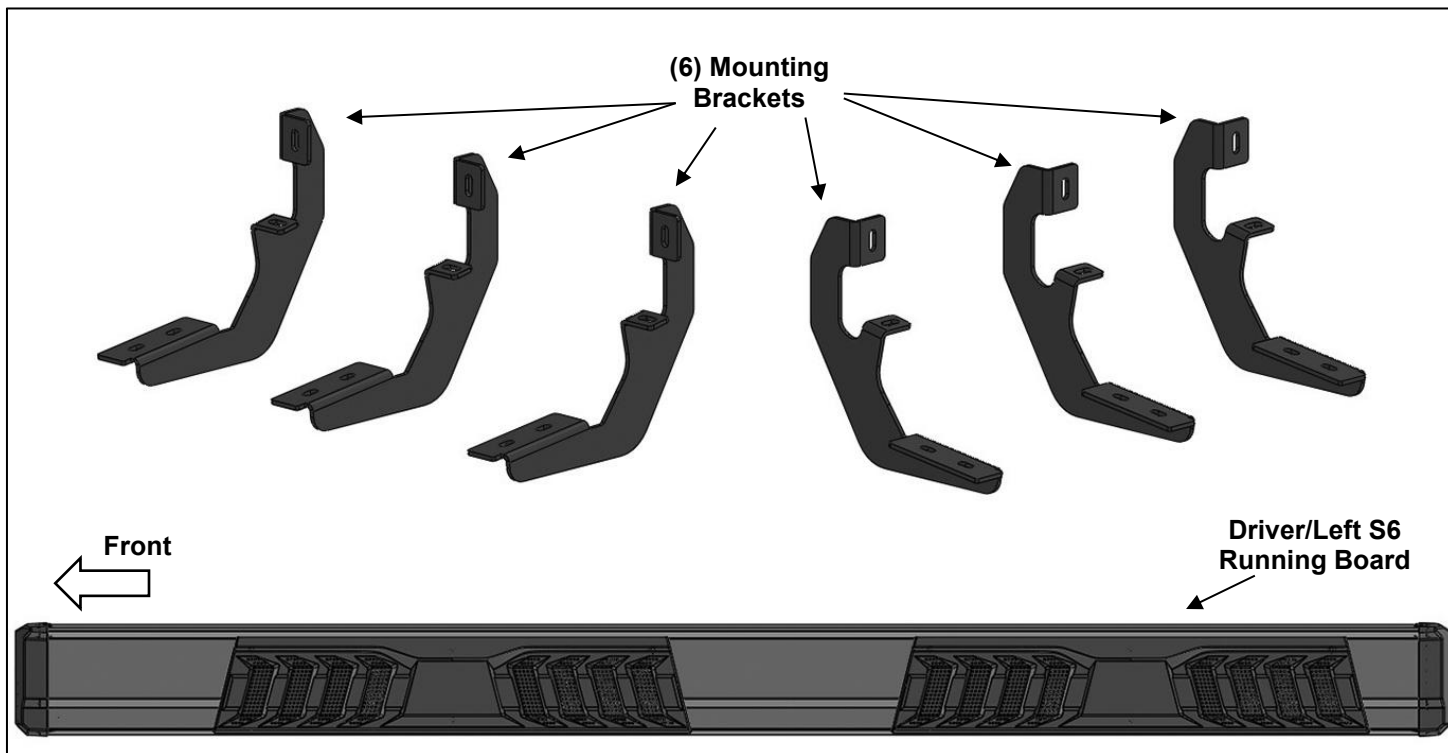


PARTS LIST:

1	Driver/Left S6 Running Board	12	8mm x 30mm Hex Bolts
1	Passenger/Right S6 Running Board	24	8mm x 24mm OD x 2mm Flat Washers
6	Mounting Brackets	12	8mm Lock Washers
6	8mm x 35mm Double Bolt Plates	12	8mm Nylon Lock Nuts



PROCEDURE:

REMOVE CONTENTS FROM BOX. VERIFY ALL PARTS ARE PRESENT. READ INSTRUCTIONS CAREFULLY BEFORE STARTING INSTALLATION. ASSISTANCE IS RECOMMENDED.

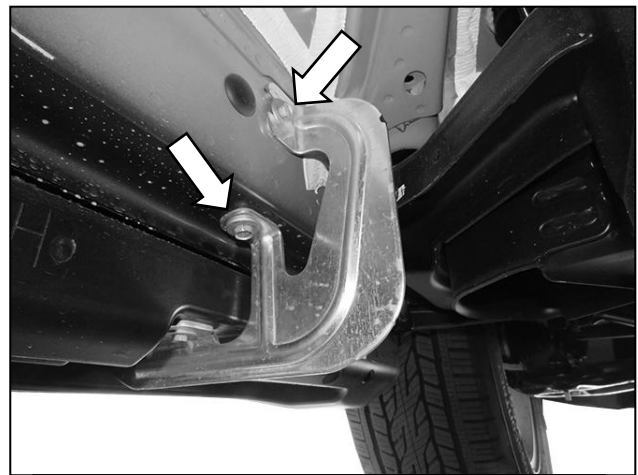
1. Start the installation under the Driver/Left side of the vehicle. Locate and remove all hardware attaching the running board and factory brackets to the rocker panel. **(Figures 1 & 2).**
2. Select (1) Mounting Bracket. Attach the Mounting Bracket to the factory threaded holes with (2) 8mm Hex Bolts, (2) 8mm Lock Washers and (2) 8mm Flat Washers, **(Figure 3).** Do not tighten hardware.
3. Move along the body to the next mounting location. Repeat **Steps 1—3** to attach (1) Mounting Bracket to the center and rear mounting locations.
4. Select the Driver/Left Running Board. Select (3) Double Bolt Plates. Insert the Bolt Plates into the channel in the bottom of the Running Board closest to the Brackets, **(Figure 4).** Lift the Running Board up and guide the studs through the Brackets. **IMPORTANT:** Do not slide, (front to back), the Running Board on the Brackets or damage to the finish may result.
5. Place the Running Board onto the Mounting Brackets. Attach the Running Board to the Mounting Brackets with (6) 8mm Flat Washers and (6) 8mm Nylon Lock Nuts, **(Figure 5).** Do not tighten hardware.
6. Level and adjust the Running Board and fully tighten all hardware.
7. Repeat **Steps 1—6** to attach the Passenger/Right Running Board.
8. Do periodic inspections to the installation to make sure that all hardware is secure and tight.

To protect your investment: Do not use any type of polish or wax that may contain abrasives that could damage the finish. Mild soap may be used also to clean Running Board.

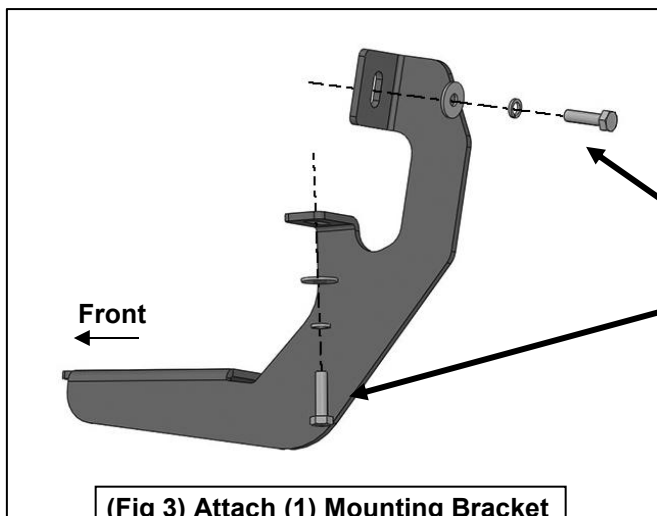
Driver/Left side Installation Pictured



(Fig 1) Remove the bolts attaching the factory running board to the floor panel



(Fig 2) Remove the bolts attaching the running board brackets to the rocker panel

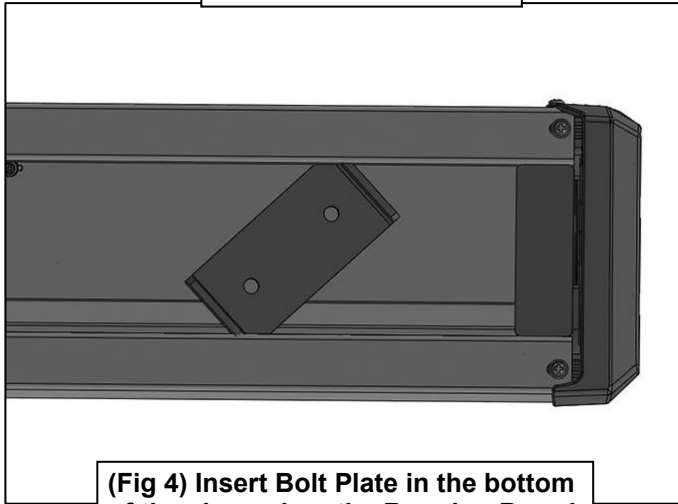


- (2) 8mm Hex Bolts
- (2) 8mm Lock Washers
- (2) 8mm Flat Washers

(Fig 3) Attach (1) Mounting Bracket to the Driver/Left front location

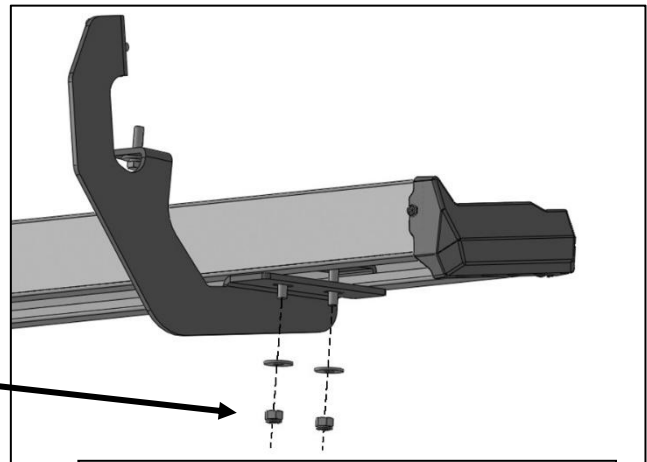
Driver/Left side Installation Pictured

8mm Double Bolt Plate



(Fig 4) Insert Bolt Plate in the bottom of the channel on the Running Board

(2) 8mm Flat Washers
(2) 8mm Nylon Lock Nuts



(Fig 5) Attach the Driver/Left S6 Running Board to the (3) Mounting Brackets