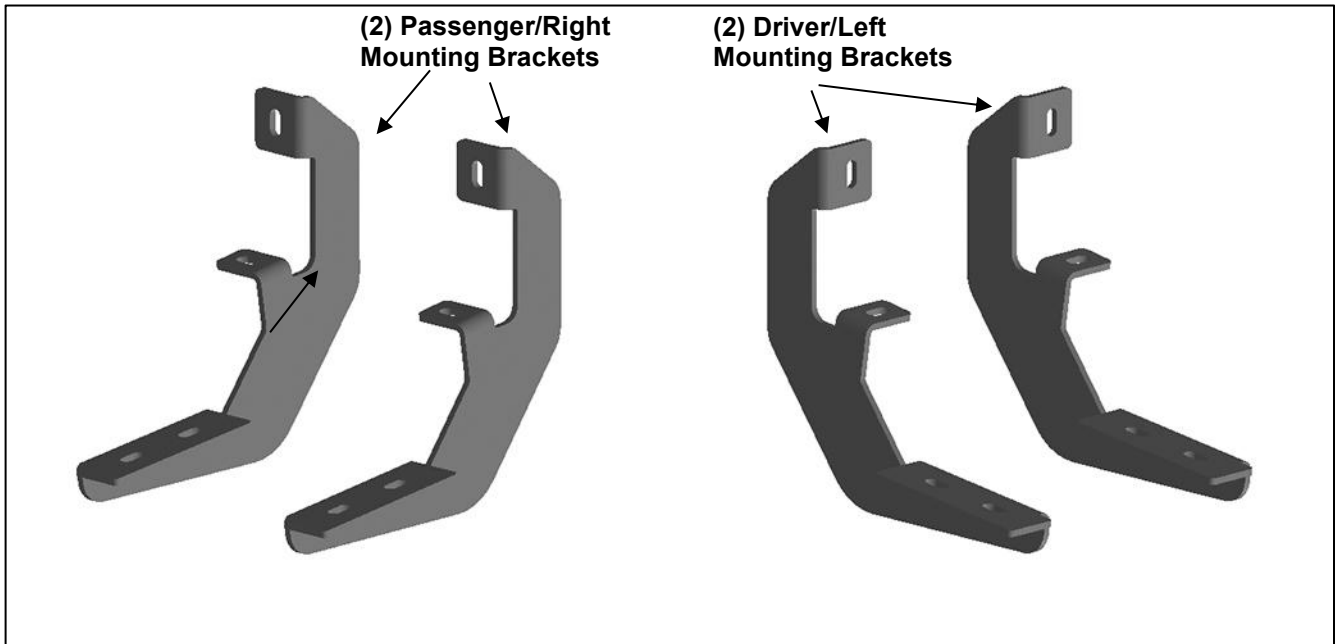


**PARTS LIST:**

2	S6 Running Boards	8	8mm x 30mm Hex Bolts
2	Driver/left side Mounting Brackets	8	8mm Lock Washers
2	Passenger/right side Mounting Brackets	16	8mm x 24mm OD x 2mm Flat Washers
4	8mm x 35mm Double Bolt Plates	8	8mm Nylon Lock Nuts



**PROCEDURE:**

**REMOVE CONTENTS FROM BOX. VERIFY ALL PARTS ARE PRESENT. READ INSTRUCTIONS CAREFULLY BEFORE STARTING INSTALLATION. ASSISTANCE IS RECOMMENDED.**

1. Start the installation under the Passenger/Right side of the vehicle. Locate the plastic plugs along the bottom edge of the body, **(Figure 1)**. Mounting Brackets will attach to the thread mounting holes at the front and rear of the cab. Remove the plastic plugs from the front mounting location. Directly above each threaded hole insert is a top mounting location on the side of the body panel. Hold a Bracket up in place to help determine the correct mounting holes to use along the body. **NOTE:** Thread an 8mm Hex Bolt into the threaded holes to clear paint as required.
2. Select (1) Passenger/Right Mounting Bracket. Attach the Mounting Bracket to the factory threaded holes with (2) 8mm Hex Bolts, (2) 8mm Lock Washers and (2) 8mm Flat Washers, **(Figure 2)**. Do not tighten hardware.
3. Move along the body to the next mounting location. Repeat **Steps 1 & 2** to attach the remaining (1) Passenger/Right Mounting Bracket to the (1) remaining location.
4. Select a Running Board. Select (2) Double Bolt Plates. Insert the Bolt Plates into the channel in the bottom of the Running Board closest to the Brackets, **(Figure 3)**. Lift the Running Board up and guide the studs through the Brackets.
5. Attach the Running Board to the Mounting Brackets with (4) 8mm Flat Washers and (4) 8mm Nylon Lock Nuts, **(Figure 4)**. Do not tighten hardware.
6. Level and adjust the S6 Running Board and fully tighten all hardware.
7. Repeat **Steps 1—6** to attach the Driver/Left S6 Running Board.
8. Do periodic inspections to the installation to make sure that all hardware is secure and tight.

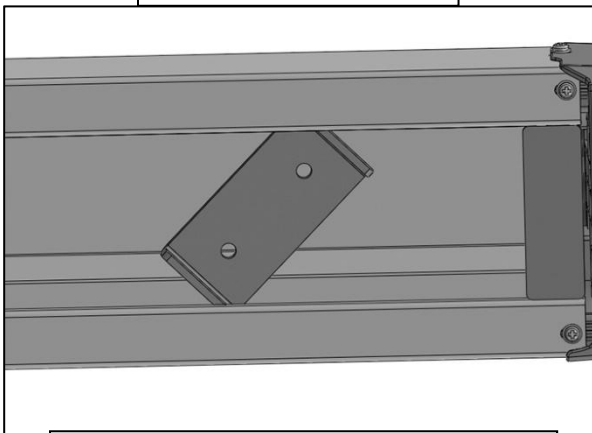
**To protect your investment,** Do not use any type of polish or wax that may contain abrasives that could damage the finish. Mild soap may be used also to clean Running Boards.

### Passenger/Right side Installation Pictured



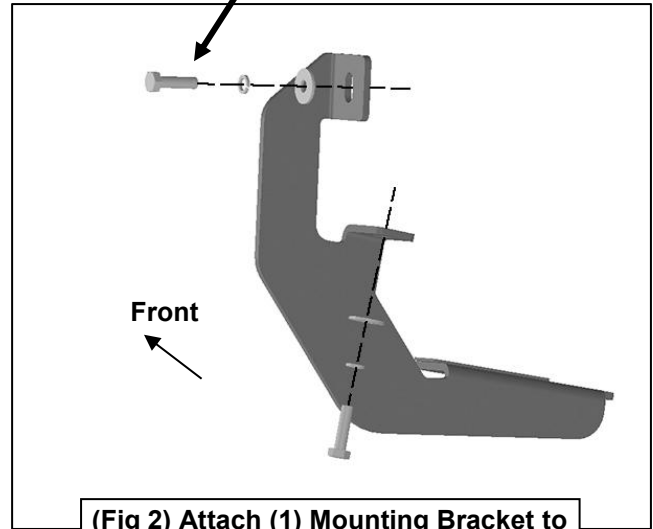
(Fig 1) Remove plastic plugs (arrows) to uncover threaded holes in floor

8mm Double Bolt Plate



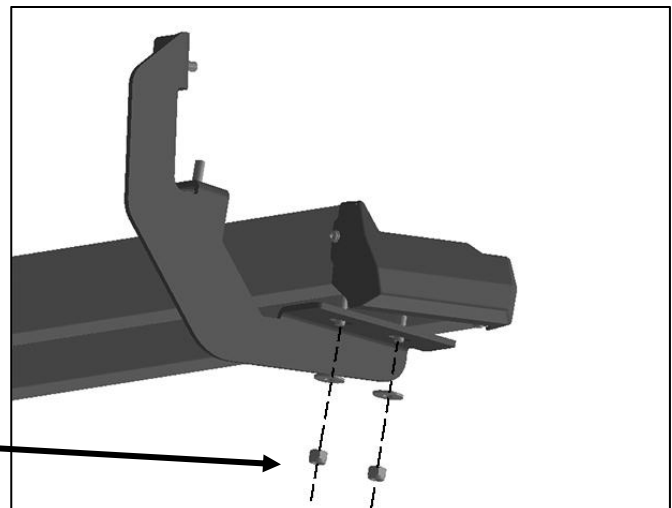
(Fig 3) Insert Bolt Plate in the bottom of the channel on the Running Board

- (2) 8mm Hex Bolts
- (2) 8mm Lock Washers
- (2) 8mm Flat Washers



(Fig 2) Attach (1) Mounting Bracket to the Passenger/Right front location

- (2) 8mm Flat Washers
- (2) 8mm Nylon Lock Nuts



(Fig 4) Attach the Passenger/Right S6 Running Board to the Mounting Brackets