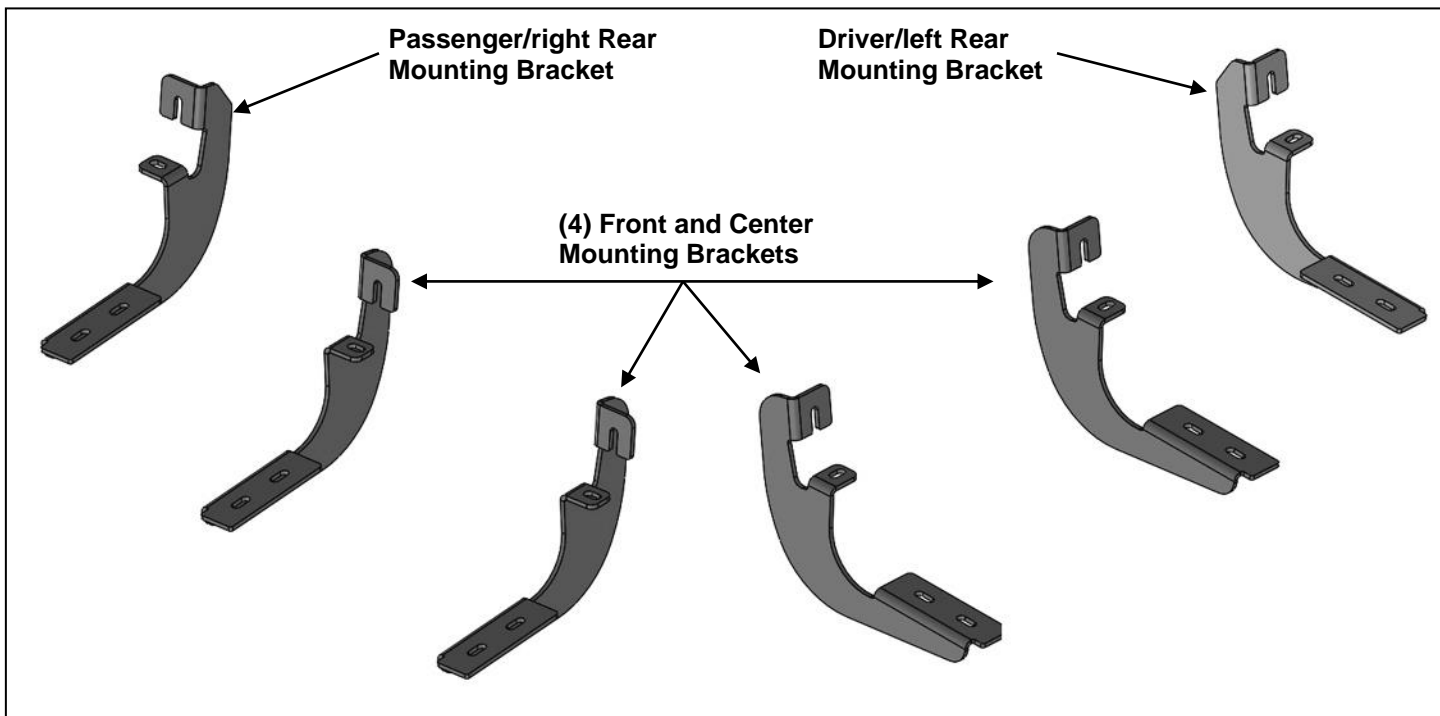


**PARTS LIST:**

1	69" Driver/left side Running Board	12	8-1.25mm x 25mm Hex Bolts
1	69" Passenger/right side Running Board	12	8mm "U" Clips
4	Front and Center Mounting Brackets	24	8mm x 24mm x 2mm Flat Washers
1	Driver/left side Rear Mounting Bracket	12	8mm Lock Washers
1	Passenger/right side Rear Mounting Bracket	12	8-1.25mm Nylon Lock Nuts
6	8-1.25mm x 35mm Double Bolt Plates		



**PROCEDURE:**

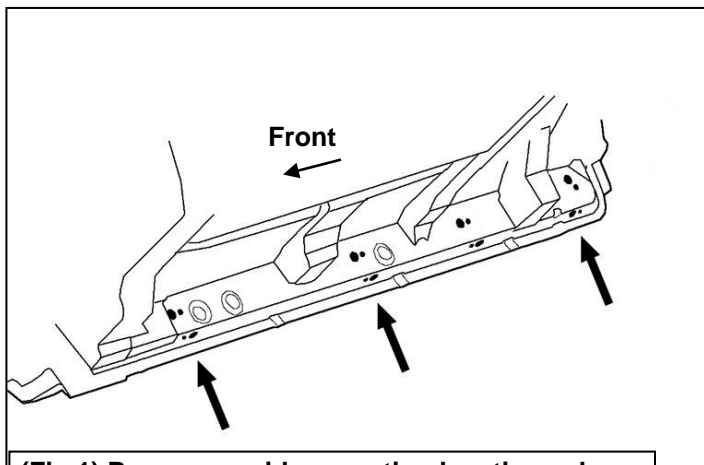
**REMOVE CONTENTS FROM BOX. VERIFY ALL PARTS ARE PRESENT. READ INSTRUCTIONS CAREFULLY BEFORE STARTING INSTALLATION. ASSISTANCE IS RECOMMENDED.**

1. Start the installation under the passenger side of the vehicle. Locate the front mounting location along the bottom and inner side of the body panel, **(Figures 1 & 2)**. **NOTE:** It may help to hold a Bracket in place to help determine the mounting holes to use along the bottom and inner side of the body.
2. Remove rubber plugs from the front location, **(Figure 2)**. Select (2) 8mm Clip Nuts. Slide each Clip Nut into the large hole and over the smaller hole next to it. Line up threaded nut on the Clip Nut with smaller hole in body panel, **(Figure 3)**.
3. Select (1) Front/Center Mounting Bracket, **(Figure 4)**. Attach the Bracket to the (2) Clip Nuts with (2) 8mm Hex Bolts, (2) 8mm Lock Washers and (2) 8mm Flat Washers, **(Figures 4 & 5)**. Snug but do not fully tighten the hardware.
4. Move to the next mounting location along the body, **(Figures 1 & 6)**. Repeat **Steps 1—3** to install (1) Front/Center Mounting Bracket in the center location, **(Figure 7)**.
5. Next, locate the rear mounting location toward the back of the cab, **(Figures 1 & 8)**. Repeat **Steps 1—3** to install the passenger side Rear Mounting Bracket in the rear location, **(Figure 9)**. Use the illustration above to help determine the correct Bracket.
6. Once all (3) Brackets have been fully installed, select the Passenger/right side Running Board. **NOTE:** The front stepping pad is farther away from the front end of the Passenger/right side Running Board. Select (3) 8mm Double Bolt Plates. Insert the Bolt Plates into the channel on the bottom of the Running Board closest to the Brackets, **(Figure 10)**.
7. With assistance, carefully position the Running Board onto the (3) Mounting Brackets. Attach the Running Board to the Mounting Brackets using (6) 8mm Flat Washers and (6) 8mm Nylon Lock Nuts, **(Figures 11 & 12)**. Do not tighten hardware.

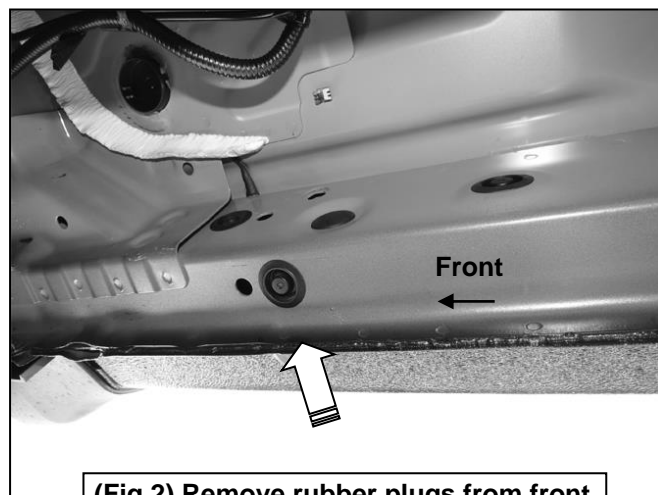
8. Slide the Running Board in or out as desired. **IMPORTANT:** Do not allow the front of the Running Board to come in contact with front splash guards if equipped. Level and adjust the Running Board as necessary and fully tighten all hardware.
9. Repeat **Steps 1—8** for driver side Running Board installation.
10. Do periodic inspections to the installation to make sure that all hardware is secure and tight.

**To protect your investment**, wax this product after installing. Regular waxing is recommended to add a protective layer over the finish. Do not use any type of polish or wax that may contain abrasives that could damage the finish. Mild soap may be used to clean the Running Board.

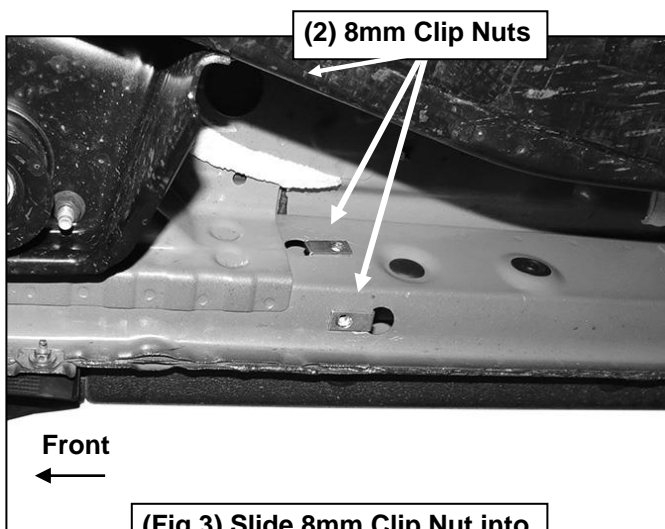
### Passenger/right Side Installation Pictured



(Fig 1) Passenger side mounting locations along bottom and back of body panel illustrated

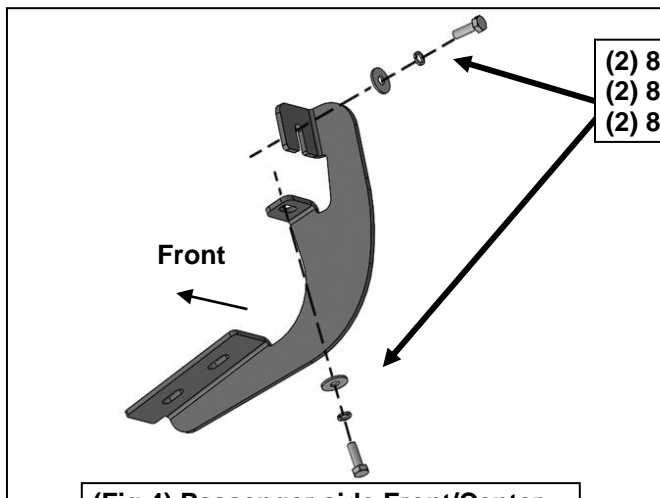


(Fig 2) Remove rubber plugs from front mounting location



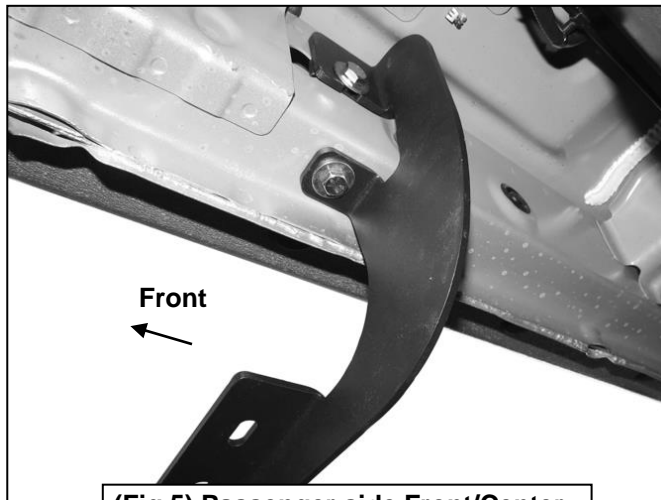
(Fig 3) Slide 8mm Clip Nut into large hole and over small hole

### Passenger/right Side Installation Pictured

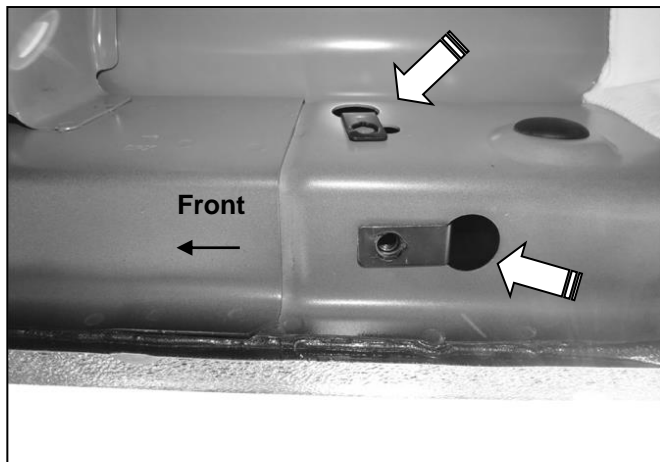


- (2) 8mm Hex Bolts
- (2) 8mm Lock Washers
- (2) 8mm Flat Washers

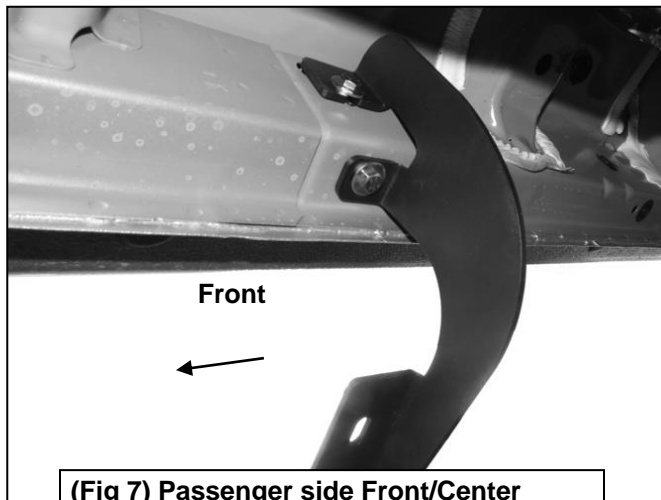
(Fig 4) Passenger side Front/Center Mounting Bracket illustrated



(Fig 5) Passenger side Front/Center Mounting Bracket installed



(Fig 6) Passenger side center mounting location

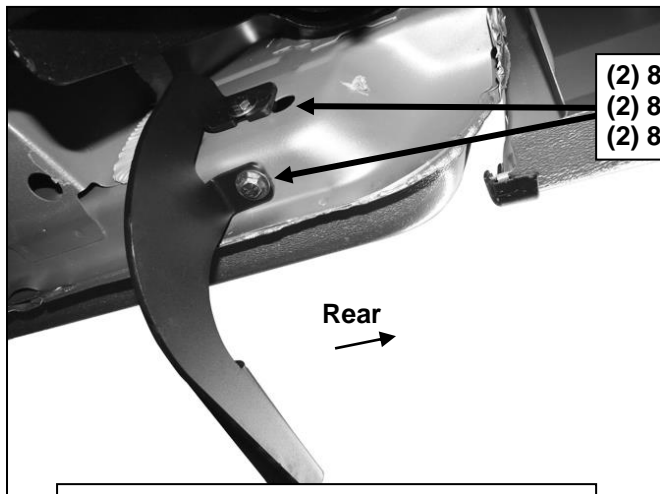


(Fig 7) Passenger side Front/Center Mounting Bracket installed in the center



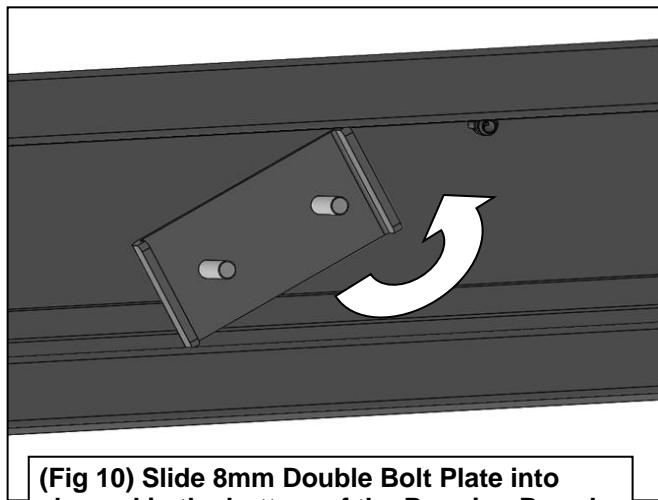
(Fig 8) Passenger side rear mounting location

### Passenger/right Side Installation Pictured

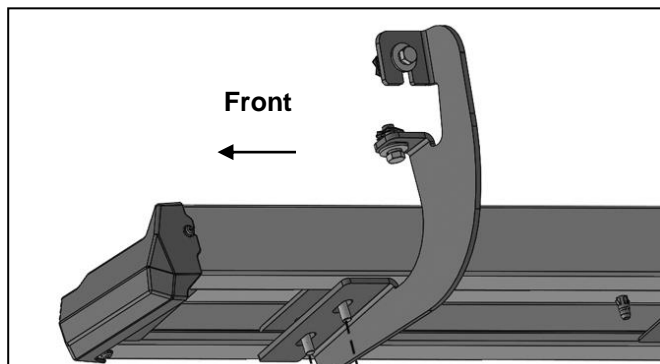


- (2) 8mm Hex Bolts
- (2) 8mm Lock Washers
- (2) 8mm Flat Washers

(Fig 9) Passenger side Mounting Bracket installed in the rear



(Fig 10) Slide 8mm Double Bolt Plate into channel in the bottom of the Running Board



- (2) 8mm Flat Washers
- (2) 8mm Nylon Lock Nuts

(Fig 11) Passenger side front Mounting Bracket attached to Running Board



(Fig 12) Passenger side front Mounting Bracket attached to Running Board



Complete Installation