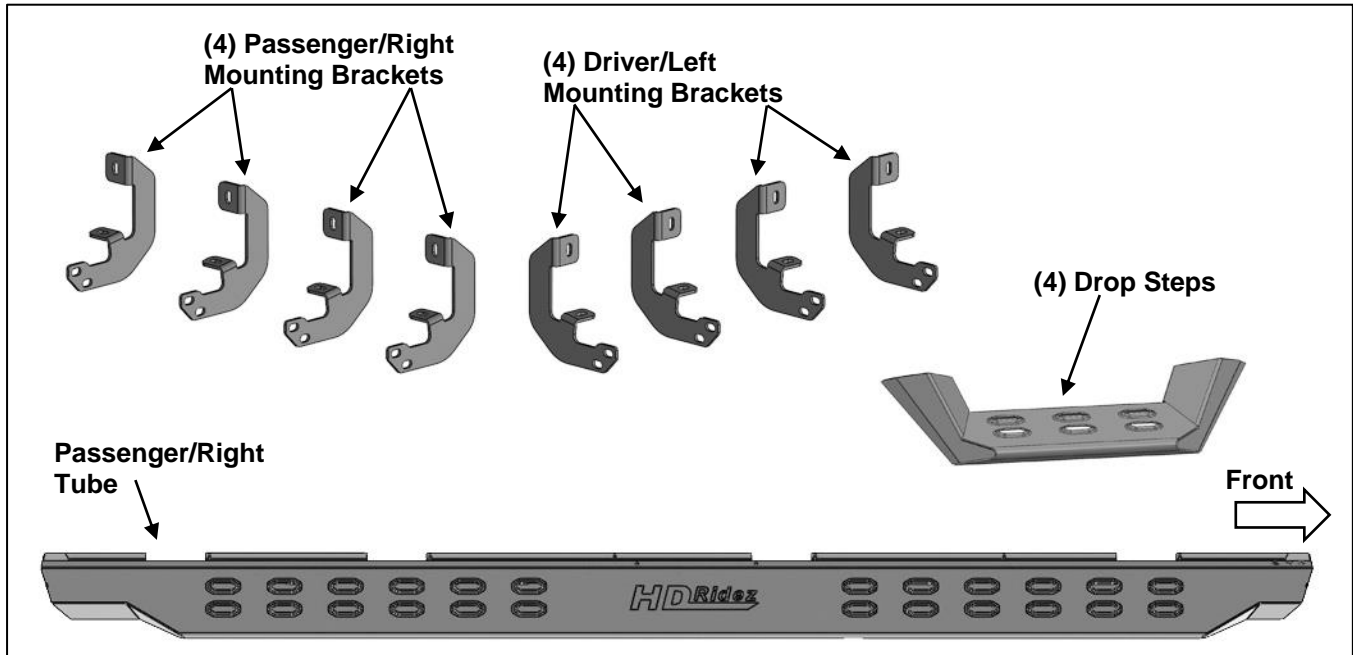


RS6 OVERLAND SLIDER DROP STEPS
2019-23 1500 CHEVY SILVERADO/GMC SIERRA DOUBLE CAB
INCLUDES DIESEL MODELS W/DEF, 2022 SILVERADO 1500 LTD AND 2022 SIERRA 1500 LIMITED
EXCLUDES 19-21 SILVERADO 1500 LD AND 19-21 SIERRA 1500 LIMITED
2020-23 SILVERADO/SIERRA 2500/3500 DOUBLE CAB (INCLUDES DIESEL MODELS W/DEF)

PARTS LIST:

1	Driver/Left Tube	16	10mm Nylon Lock Nuts
1	Passenger/Right Tube	8	8mm x 25mm Double Bolt Plates
4	Drop Steps	16	8mm x 30mm Hex Bolts
4	Driver/Left Mounting Brackets	32	8mm x 22mm OD x 2mm Flat Washers
4	Passenger/Right Mounting Brackets	16	8mm Lock Washers
16	10mm x 30mm Hex Bolts	16	8mm Nylon Lock Nuts
32	10mm x 20mm OD x 2mm Flat Washers		



PROCEDURE: REMOVE CONTENTS FROM BOX. VERIFY ALL PARTS ARE PRESENT. READ INSTRUCTIONS CAREFULLY BEFORE STARTING INSTALLATION. ASSISTANCE IS RECOMMENDED.

1. Start the installation under the Passenger/Right side of the vehicle. Locate the 4 plugs along the bottom edge of the body. Mounting Brackets will attach to all threaded mounting holes, **(Figure 1)**. Remove the plastic plugs from each mounting location. Directly above each threaded hole is a top mounting location on the side of the body panel. Hold a Bracket up in place to help determine the mounting holes to use along the body. **NOTE:** Thread an 8mm Hex Bolt into the threaded holes to clear paint as required.
2. Select (1) Passenger/Right Mounting Bracket. Attach the Mounting Bracket to the factory threaded holes with (2) 8mm Hex Bolts, (2) 8mm Lock Washers and (2) 8mm Flat Washers, **(Figure 2)**. Do not tighten hardware.
3. Move along the body to the next mounting location. Repeat **Steps 1 & 2** to attach the remaining (3) Passenger/Right Mounting Bracket to the (3) remaining locations.
4. Select the Passenger/Right Tube. Insert (2) 8mm Triangle Double Bolt Plates into the front (2) sets of (2) holes, **(Figure 3)**. Attach (1) Drop Step to the (2) Double Bolt Plates with (4) 8mm x 22mm Flat Washers and (4) 8mm Nylon Lock Nuts, **(Figure 4)**. Do not tighten hardware.
5. With assistance, line up the mounting tabs in the Passenger/Right Tube to the rear faces of the Mounting Brackets. Secure the Tube to the Mounting Brackets with (8) 10mm Hex Bolts, (16) 10mm x 20mm Flat Washers and (8) 10mm Nylon Lock Nuts, **(Figure 5)**. Do not tighten hardware.
6. Level and adjust the Overland Step, then tighten all hardware.
7. Repeat **Steps 1—6** to attach the Driver/Left Overland Step.
8. Do periodic inspections to the installation to make sure that all hardware is secure and tight.

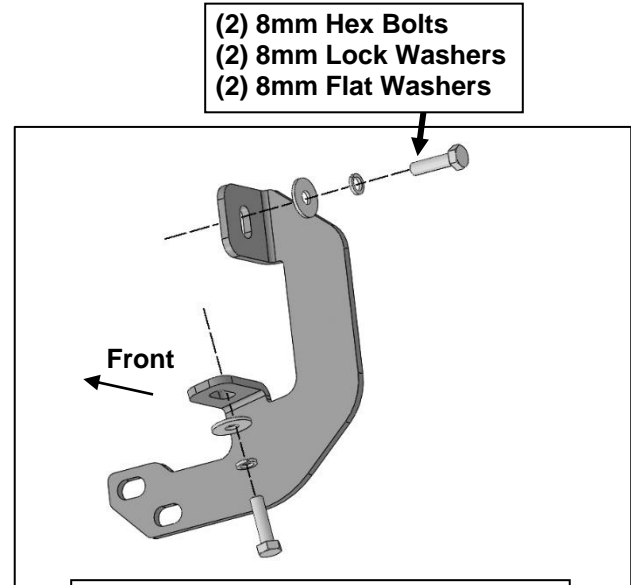
RS6 OVERLAND SLIDER DROP STEPS
 2019-23 1500 CHEVY SILVERADO/GMC SIERRA DOUBLE CAB
 INCLUDES DIESEL MODELS W/DEF, 2022 SILVERADO 1500 LTD AND 2022 SIERRA 1500 LIMITED
 EXCLUDES 19-21 SILVERADO 1500 LD AND 19-21 SIERRA 1500 LIMITED
 2020-23 SILVERADO/SIERRA 2500/3500 DOUBLE CAB (INCLUDES DIESEL MODELS W/DEF)

To protect your investment, Do not use any type of polish or wax that may contain abrasives that could damage the finish. Mild soap may be used also to clean Overland Steps.

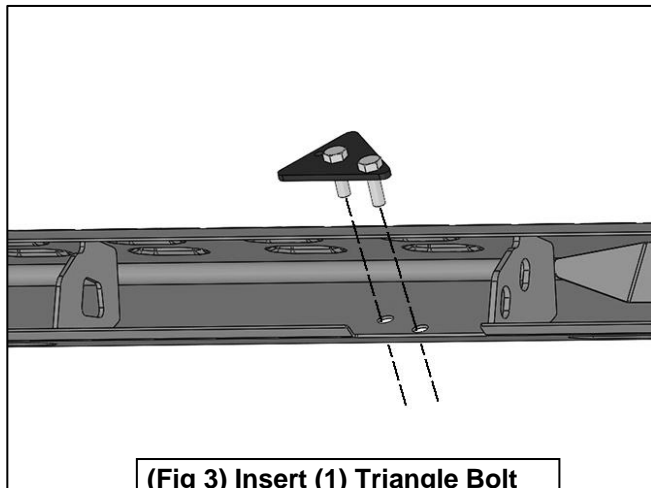
Passenger/Right side Installation Pictured



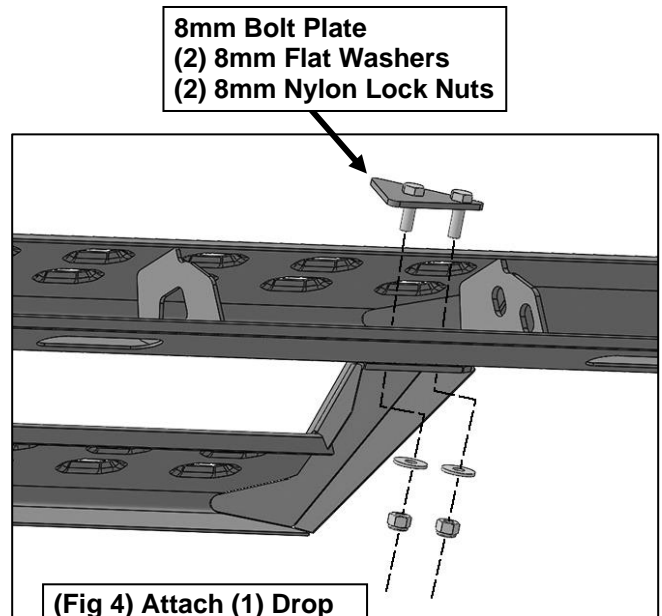
(Fig 1) Remove plastic plugs (arrows) to uncover threaded holes in floor



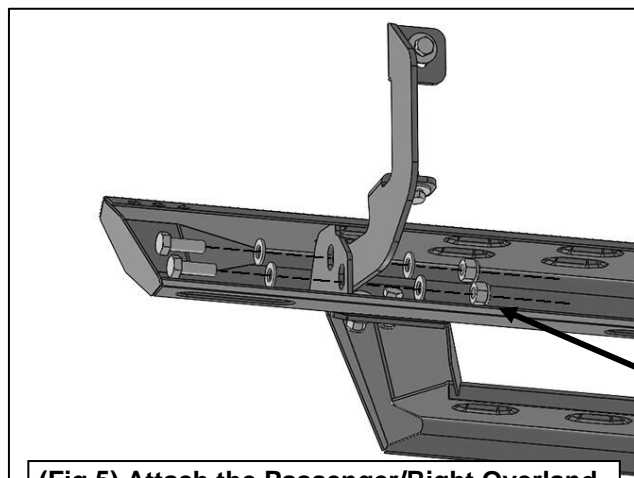
(Fig 2) Attach (1) Mounting Bracket to the Passenger/Right front location



(Fig 3) Insert (1) Triangle Bolt Plate into the holes in the Tube



(Fig 4) Attach (1) Drop Step to (2) Bolt Plates



(Fig 5) Attach the Passenger/Right Overland Step to the (4) Mounting Brackets