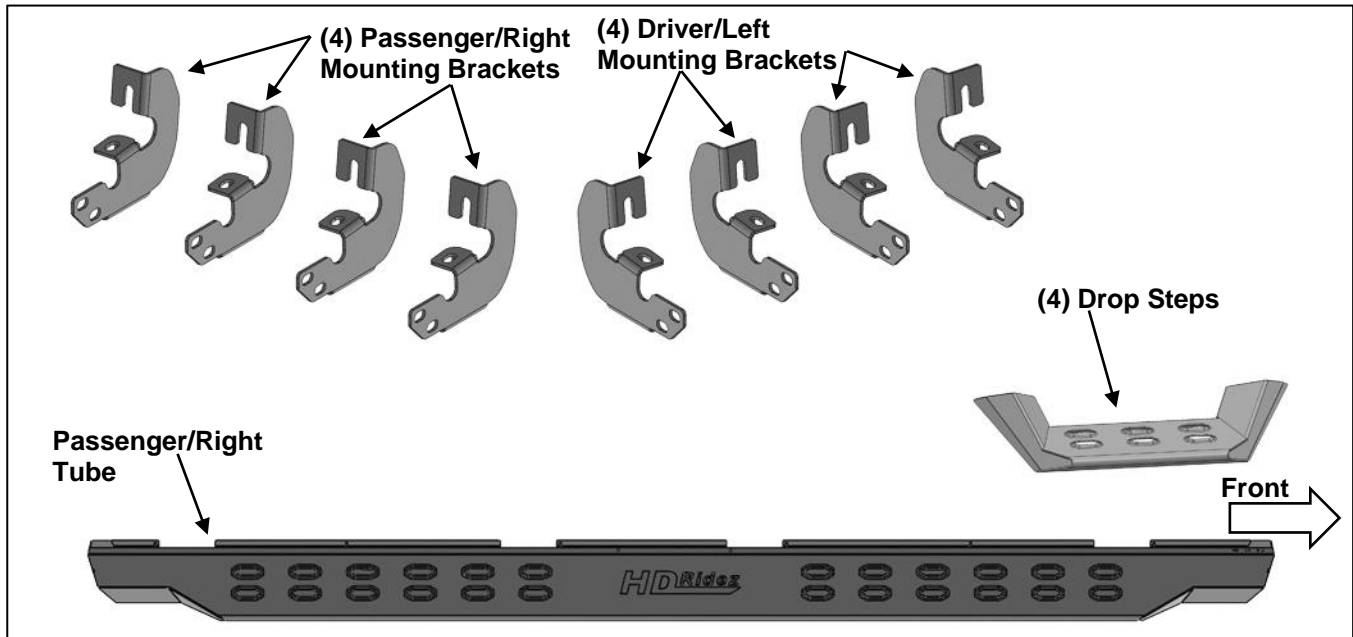


PARTS LIST:

1	Driver/Left Tube	8	8mm Double Bolt Plates
1	Passenger/Right Tube	16	8mm x 25mm Hex Bolts
4	Drop Steps	16	8mm x 24mm OD x 2mm Flat Washers
4	Driver/Left Mounting Brackets	16	8mm x 22mm OD x 2mm Flat Washers
4	Passenger/Right Mounting Brackets	16	8mm Lock Washers
16	10mm x 30mm Hex Bolts	16	8mm Nylon Lock Nuts
32	10mm x 20mm OD x 2mm Flat Washers	16	8mm Clip Nuts
16	10mm Nylon Lock Nuts		



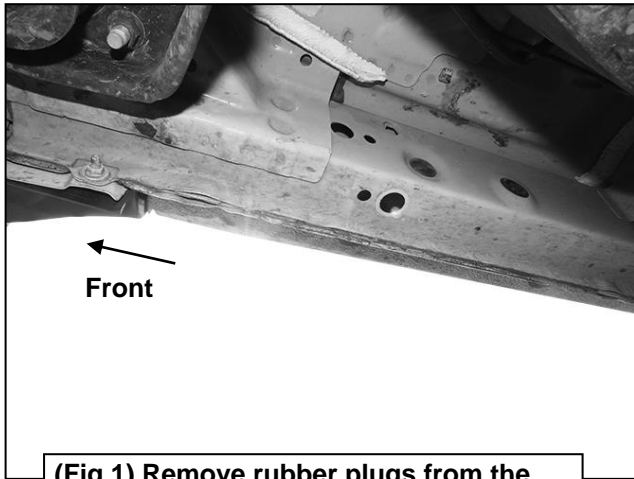
PROCEDURE:

REMOVE CONTENTS FROM BOX. VERIFY ALL PARTS ARE PRESENT. READ INSTRUCTIONS CAREFULLY BEFORE STARTING INSTALLATION. ASSISTANCE IS RECOMMENDED.

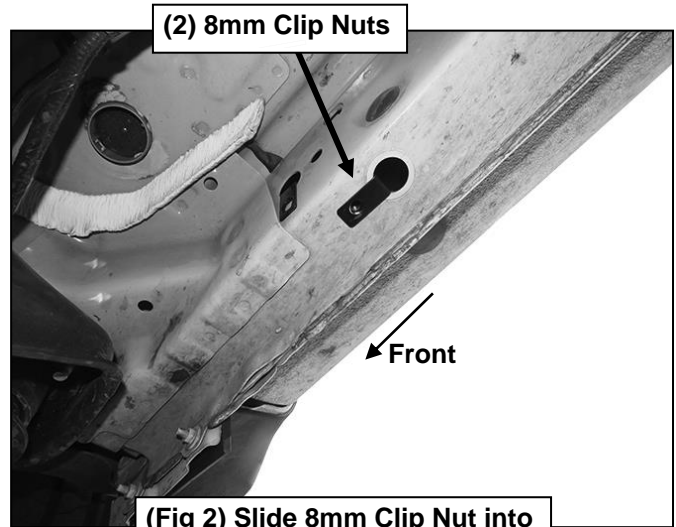
1. Start the installation under the Passenger/Right side of the vehicle. Locate the front mounting location along the bottom and inner side of the body panel, **(Figure 1)**. Installation will use the 1st, 2nd, 3rd and 4th mounting locations. **NOTE:** It may help to hold a Bracket up in place to help determine the mounting holes to use along the bottom and inner side of the body.
2. Remove rubber plugs from the front location. Select (2) 8mm Clip Nuts. Slide each Clip Nut into the large hole and over the smaller hole next to it. Line up threaded nut on the Clip Nut with smaller hole in body panel, **(Figure 2)**.
3. Select (1) Passenger/Right Mounting Bracket. Attach the Mounting Bracket to the (2) Clip Nuts in the vehicle with (2) 8mm Hex Bolts, (2) 8mm Lock Washers and (2) 8mm Flat Washers, **(Figure 3)**. Do not tighten hardware.
4. Repeat **Steps 1—3** to attach (2) Passenger/Right Mounting Brackets to the 2nd, 3rd and rear locations, **(Figures 3—5)**. Do not tighten hardware.
5. Select the Passenger/Right Tube. Insert (2) 8mm Double Bolt Plates into the front (2) sets of (2) holes, **(Figure 6)**. Attach (1) Drop Step to the (2) Double Bolt Plates with (4) 8mm x 22mm Flat Washers and (4) 8mm Nylon Lock Nuts, **(Figure 7)**. Do not tighten hardware.
6. With assistance, line up the mounting tabs in the Passenger/Right Tube to the rear faces of the Mounting Brackets. Secure the Tube to the Mounting Brackets with (8) 10mm Hex Bolts, (16) 10mm x 20mm Flat Washers and (8) 10mm Nylon Lock Nuts, **(Figure 8)**. Do not tighten hardware.
7. Level and adjust the Overland Step, then tighten all hardware.
8. Repeat **Steps 1—7** to attach the Driver/Left Overland Step.
9. Do periodic inspections to the installation to make sure that all hardware is secure and tight.

To protect your investment, Do not use any type of polish or wax that may contain abrasives that could damage the finish. Mild soap may be used to clean the Overland Sliders.

Passenger/Right Side Installation Pictured

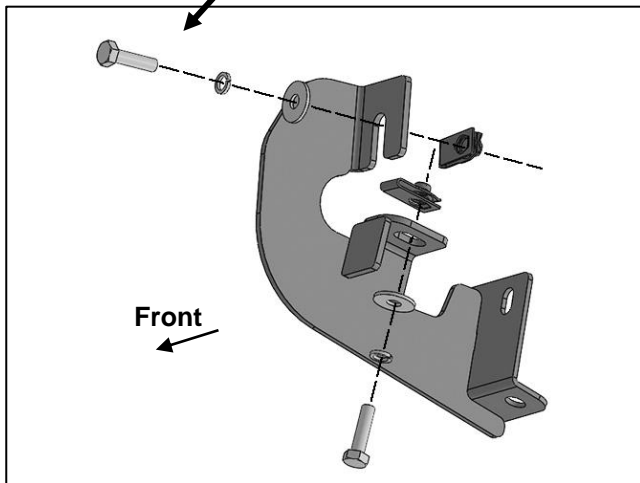


(Fig 1) Remove rubber plugs from the Passenger/Right front mounting location

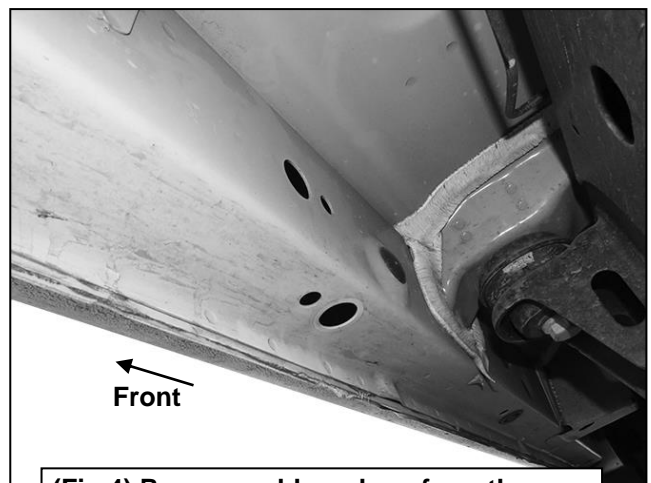


(Fig 2) Slide 8mm Clip Nut into large hole and over small hole

- (2) 8mm Hex Bolts
- (2) 8mm Lock Washers
- (2) 8mm Flat Washers
- (2) 8mm Clip Nuts



(Fig 3) Attach (1) Passenger/Right Mounting Bracket to the Clip Nuts



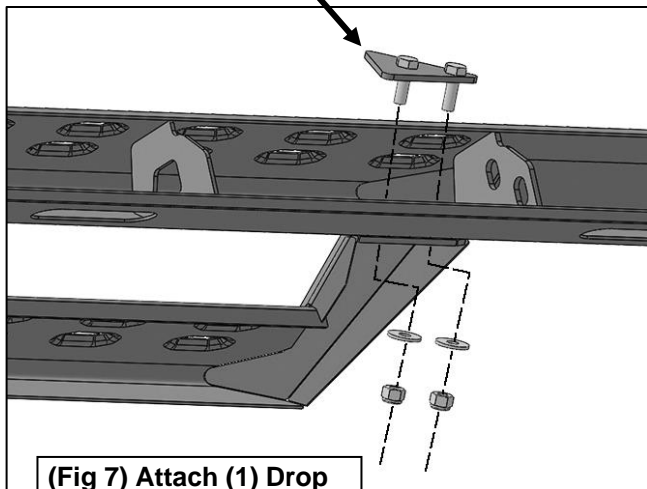
(Fig 4) Remove rubber plugs from the Passenger/Right center mounting location

Passenger/Right Side Installation Pictured

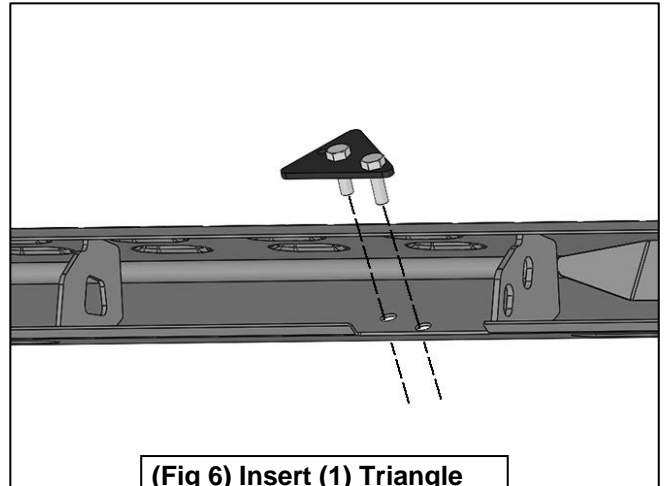


(Fig 5) Remove rubber plugs from the Passenger/Right rear mounting location

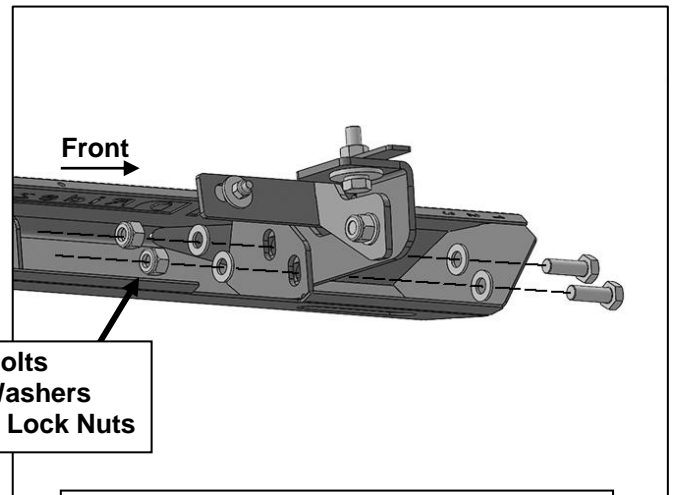
- 8mm Bolt Plate
- (2) 8mm Flat Washers
- (2) 8mm Nylon Lock Nuts



(Fig 7) Attach (1) Drop Step to (2) Bolt Plates



(Fig 6) Insert (1) Triangle Bolt Plate into the holes in



- (2) 10mm Hex Bolts
- (4) 10mm Flat Washers
- (2) 10mm Nylon Lock Nuts

(Fig 8) Attach the Passenger/Right Running Board the (4) Mounting Brackets