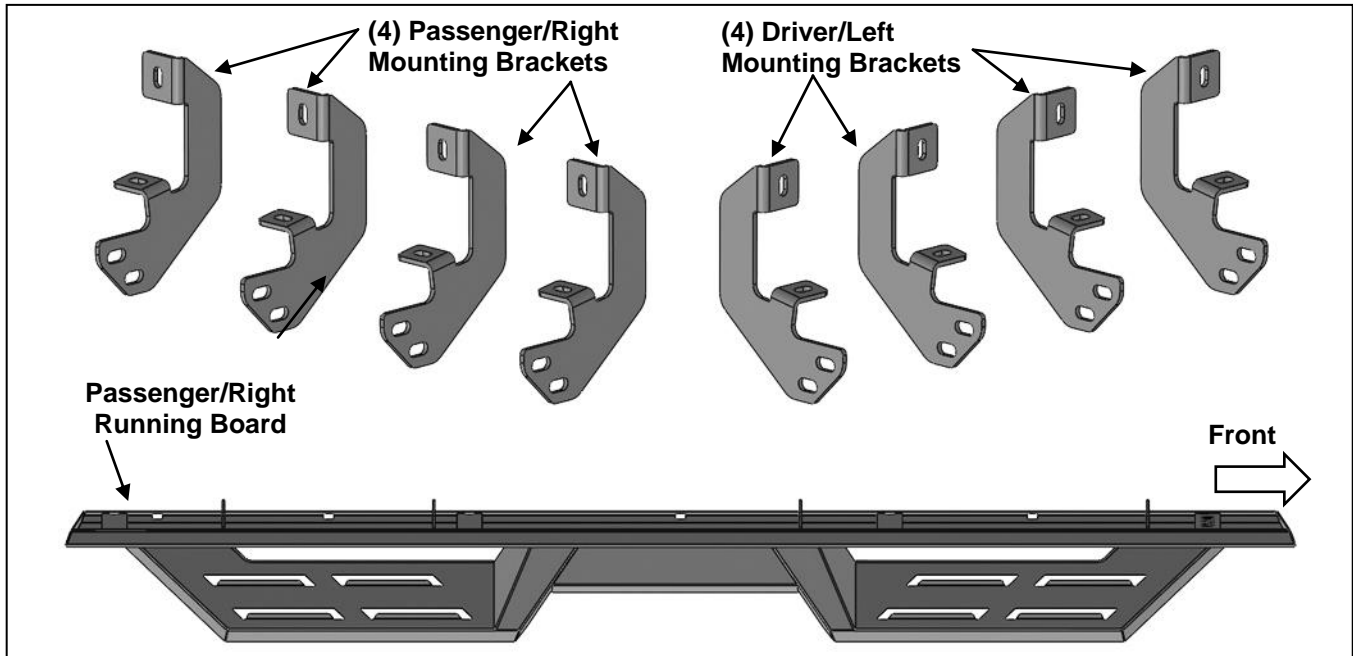


PARTS LIST:

1	Driver/Left DS4 Running Board	32	10mm x 20mm OD x 2mm Flat Washers
1	Passenger/Right DS4 Running Board	16	10mm Nylon Lock Nuts
4	Driver/Left Mounting Brackets	16	8mm x 30mm Hex Bolts
4	Passenger/Right Mounting Brackets	16	8mm Lock Washers
16	10mm x 30mm Hex Bolts	16	8mm x 24mm OD x 2mm Flat Washers



PROCEDURE:

REMOVE CONTENTS FROM BOX. VERIFY ALL PARTS ARE PRESENT. READ INSTRUCTIONS CAREFULLY BEFORE STARTING INSTALLATION. ASSISTANCE IS RECOMMENDED.

1. Start the installation under the Passenger/Right side of the vehicle. Locate the 4 plugs along the bottom edge of the body. Mounting Brackets will attach to all threaded mounting holes, **(Figure 1)**. Remove the plastic plugs from each mounting location. Directly above each threaded hole is a top mounting location on the side of the body panel. Hold a Bracket up in place to help determine the mounting holes to use along the body. **NOTE:** Thread an 8mm Hex Bolt into the threaded holes to clear paint as required.
2. Select (1) Passenger/Right Mounting Bracket. Attach the Mounting Bracket to the factory threaded holes with (2) 8mm Hex Bolts, (2) 8mm Lock Washers and (2) 8mm Flat Washers, **(Figure 2)**. Do not tighten hardware.
3. Move along the body to the next mounting location. Repeat **Steps 1 & 2** to attach the remaining (3) Passenger/Right Mounting Bracket to the (3) remaining locations.
4. Select the Passenger/Right DS4 Running Board. Attach the Running Board to the rear faces of the Mounting Brackets with (8) 10mm Hex Nuts, (16) 10mm Flat Washers and (8) 10mm Nylon Lock Nuts, **(Figure 3)**. Do not tighten hardware.
5. Level and adjust the DS4 Running Board and fully tighten all hardware.
6. Repeat **Steps 1—5** to attach the Driver/Left DS4 Running Board.
7. Do periodic inspections to the installation to make sure that all hardware is secure and tight.

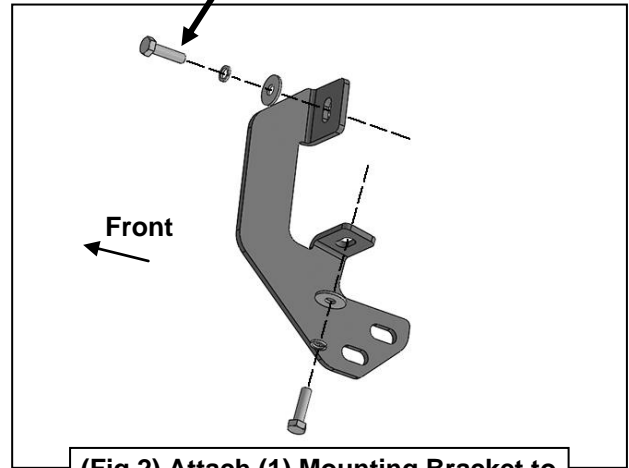
To protect your investment, Do not use any type of polish or wax that may contain abrasives that could damage the finish. Mild soap may be used also to clean Running Boards.

Passenger/Right side Installation Pictured

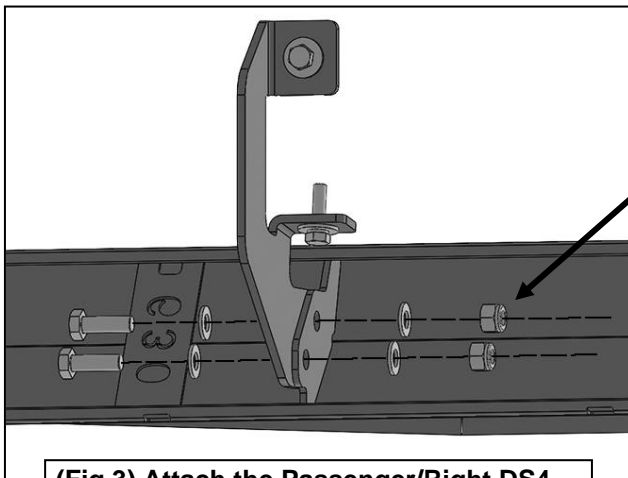


(Fig 1) Remove plastic plugs (arrows) to uncover threaded holes in floor

- (2) 8mm Hex Bolts
- (2) 8mm Lock Washers
- (2) 8mm Flat Washers



(Fig 2) Attach (1) Mounting Bracket to the Passenger/Right front location



- (2) 10mm Hex Bolts
- (4) 10mm Flat Washers
- (2) 10mm Nylon Lock Nuts

(Fig 3) Attach the Passenger/Right DS4 Running Board to the Mounting Brackets