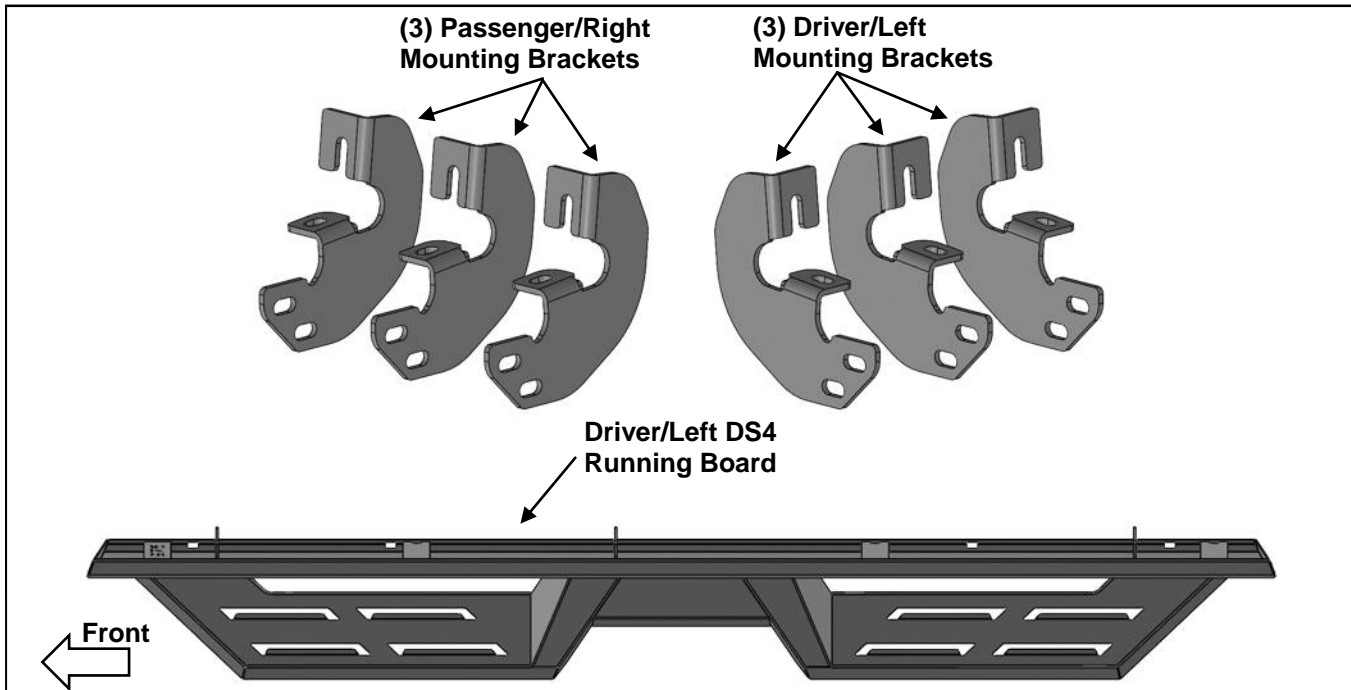


DS4 RUNNING BOARDS
2015-21 CHEVY COLORADO/GMC CANYON EXT. CAB

PARTS LIST:

1	Driver/Left DS4 Running Board	12	10mm Nylon Lock Nuts
1	Passenger/Right DS4 Running Board	12	8mm x 30mm Hex Bolts
3	Driver/Left Mounting Brackets	12	8mm Lock Washers
3	Passenger/Right Mounting Brackets	12	8mm x 24mm OD x 2mm Flat Washers
12	10mm x 30mm Hex Bolts	12	8mm Clip Nuts
24	10mm x 20mm OD x 2mm Flat Washers		



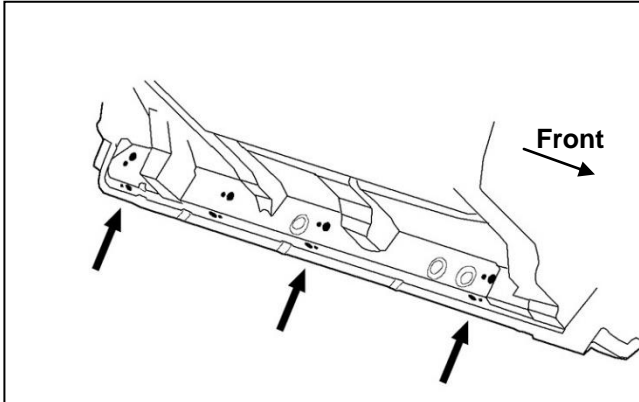
PROCEDURE:

REMOVE CONTENTS FROM BOX. VERIFY ALL PARTS ARE PRESENT. READ INSTRUCTIONS CAREFULLY BEFORE STARTING INSTALLATION. ASSISTANCE IS RECOMMENDED.

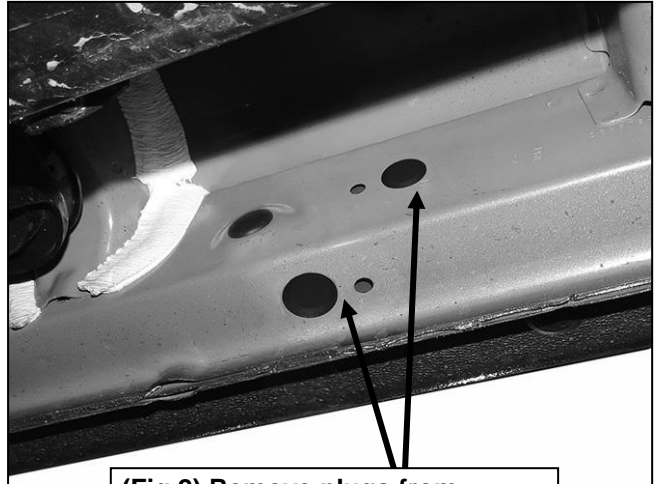
1. Start the installation under the Driver/Left side of the vehicle. Locate the 4 factory running board mounting locations along the bottom and inner side of the body, **(Figure 1)**. Mounting Brackets will attach to the 1st, 2nd and 4th mounting locations. **NOTE:** Hold a Bracket up in place to help determine the mounting holes to use along the bottom and inner side of the body.
2. Remove rubber plugs as necessary from the (2) front mounting holes, **(Figure 2)**. Select (1) 8mm Clip Nut. Slide the Clip Nut into the large hole and over the smaller hole next to it in the side of the body panel. Line up threaded nut on the Clip Nut with smaller hole in body panel, **(Figure 3)**. Repeat to install a 2nd Clip Nut in the remaining front mounting hole in the bottom of the body panel.
3. Select (1) Driver/Left Mounting Bracket. Attach the Bracket to the (2) Clip Nuts with (2) 8mm Hex Bolts, (2) 8mm Lock Washers and (2) 8mm Flat Washers, **(Figure 4)**. Do not tighten the hardware.
4. Repeat **Steps 1—3** to attach the remaining (2) Driver/Left Mounting Brackets to the 2nd and rear mounting locations, **(Figure 1)**.
5. Select the Driver/Left DS4 Running Board. Attach the Running Board to the rear faces of the Mounting Brackets with (6) 10mm Hex Bolts, (12) 10mm Flat Washers and (6) 10mm Nylon Lock Nuts, **(Figure 5)**. Do not tighten hardware.
6. Level and adjust the DS4 Running Board and tighten all hardware.
7. Repeat **Steps 1—6** to attach the Passenger/Right DS4 Running Board.
8. Do periodic inspections to the installation to make sure that all hardware is secure and tight.

To protect your investment, Do not use any type of polish or wax that may contain abrasives that could damage the finish. Mild soap may be used also to clean the Running Boards.

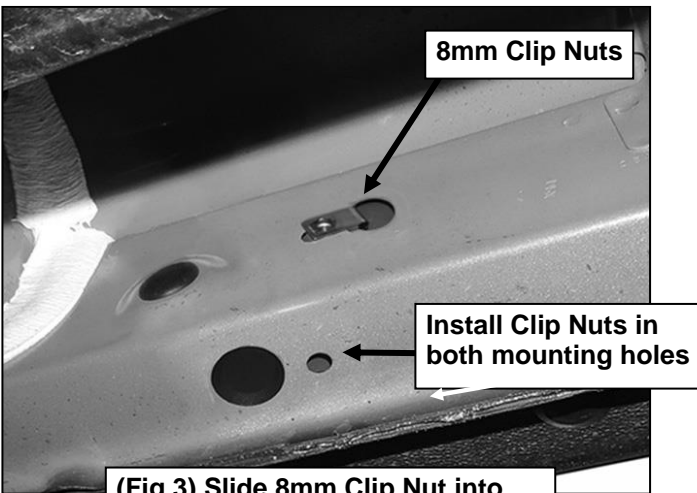
DS4 RUNNING BOARDS
2015-21 CHEVY COLORADO/GMC CANYON EXT. CAB
Driver/Left Side Installation Pictured



(Fig 1) Driver/Left side mounting locations along bottom and back of body panel illustrated

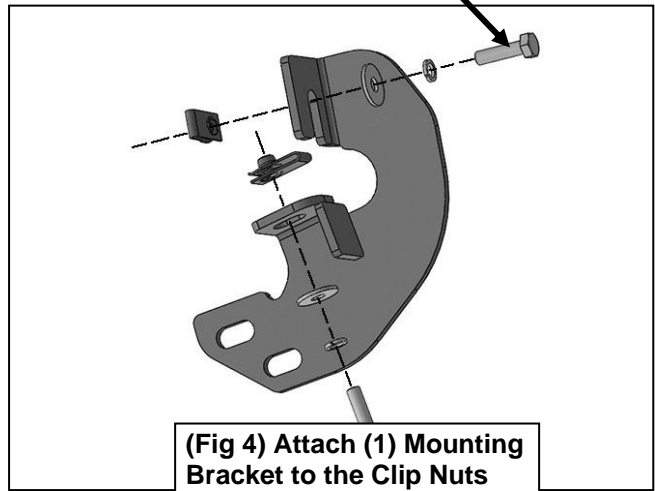


(Fig 2) Remove plugs from mounting locations as necessary

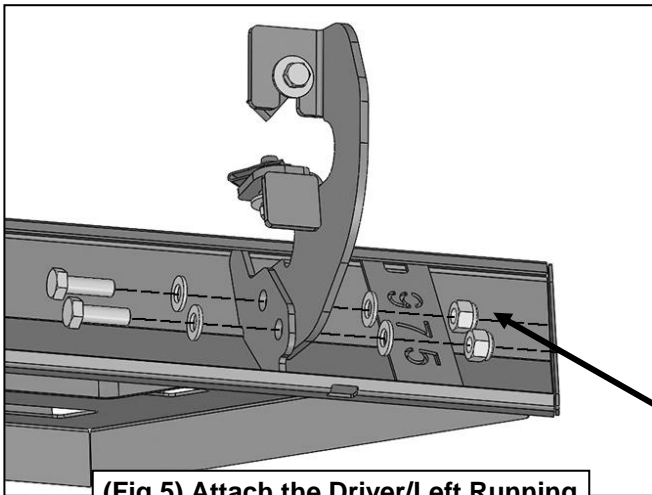


(Fig 3) Slide 8mm Clip Nut into large hole and over small hole

- (2) 8mm x 25mm Hex Bolts
- (2) 8mm Lock Washers
- (2) 8mm Flat Washers
- (2) 8mm Clip Nuts



(Fig 4) Attach (1) Mounting Bracket to the Clip Nuts



(Fig 5) Attach the Driver/Left Running Board to the Mounting Brackets

- (2) 10mm Hex Bolts
- (4) 10mm Flat Washers
- (2) 10mm Nylon Lock Nuts