

iBoard®



Scan for
Installation Video

iBoard® by APS

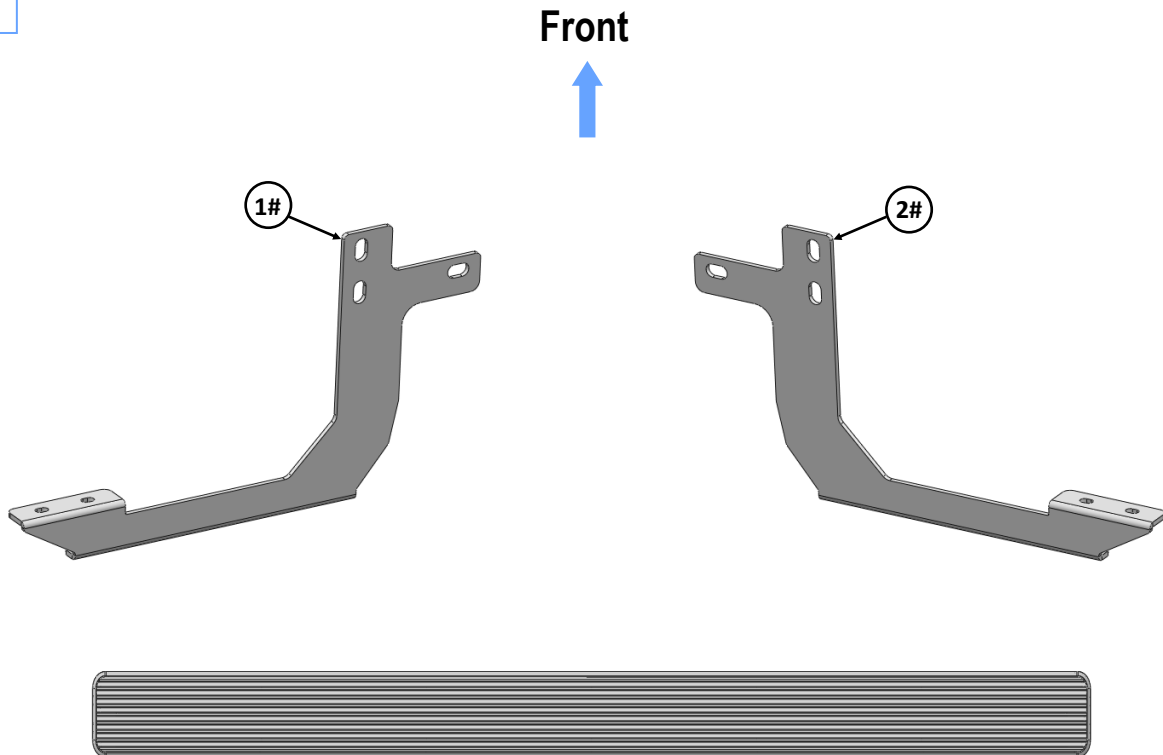
PART#: IB-K406C&H

READ INSTRUCTIONS CAREFULLY BEFORE STARTING INSTALLATION. REMOVE CONTENTS FROM BOX AND VERIFY ALL PARTS ARE PRESENT. ASSISTANCE IS RECOMMENDED.

*BODY FRAME MOUNT
*NO DRILLING REQUIRED

Fastener Size	Tightening Torque (ft-lbs)	Required
6mm	6-7	X
8mm	16-18	√
10mm	31-32	X
12mm	56-58	√
14mm	92-94	X

PART LIST




Customer Support: info@iboardauto.com




Mounting Bracket List					
Item	QTY	Description	Item	QTY	Description
1#	1	Driver Side Mounting Bracket	2#	1	Passenger Side Mounting Bracket


Hardware Package A (For Bracket Installation)					
Item	QTY	Description	Item	QTY	Description
1#	6	M12X1.75-100mm Hex Bolts	3#	6	M12 Nylon Lock Nuts
2#	12	M12 Large Flat Washers			



1 #

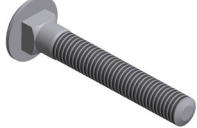


2 #




3 #


Hardware Package B (For Stainless Steel Step Bar Installation)					
Item	QTY	Description	Item	QTY	Description
1#	4	M8X1.25-35mm Carriage Bolts	3#	4	M8 Nylon Lock Nuts
2#	4	M8 Large Flat Washers	4#	2	Sliders (Packed with Mounting Brackets)



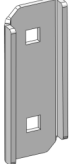
1 #



2 #



3 #



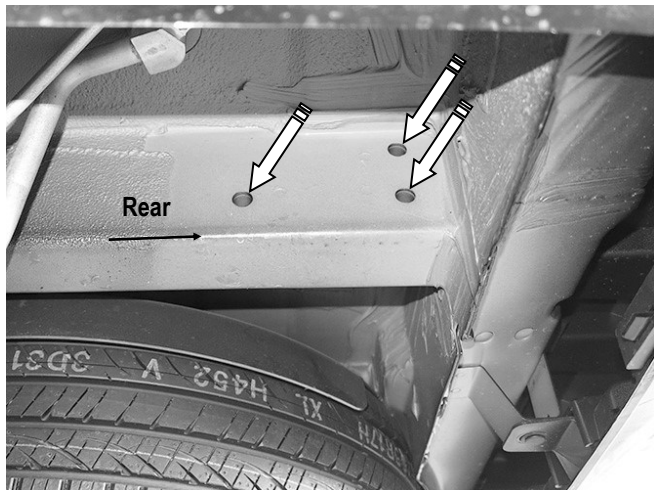
4 #



WARNING: ALLOW TIME FOR THE MUFFLER TO COOL COMPLETELY BEFORE INSTALLING MOUNTING BRACKETS.

STEP 1

Start the installation under the driver side, rear of the vehicle, (Fig 1). Locate the (3) mounting holes in the frame.



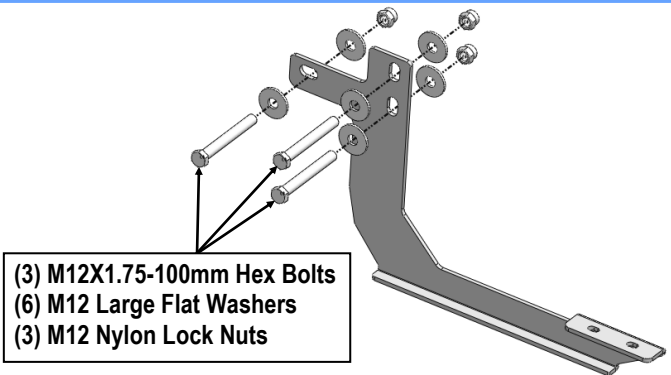
(Fig 1) Driver Side Mounting Location

STEP 2

Select the Driver Side Mounting Bracket. Attach the Bracket to the outside of the frame with the included (3) M12X1.75-100mm Hex Bolts, (6) M12 Large Flat Washers and (3) M12 Nylon Lock Nuts, (Figs 2 & 3). Do not fully tighten hardware at this time.

STEP 3

Repeat **Steps 1-2** to install the passenger side Mounting Bracket.



(Fig 2) Driver Side Mounting Bracket Installation



(Fig 3) Driver Side Mounting Bracket Installed

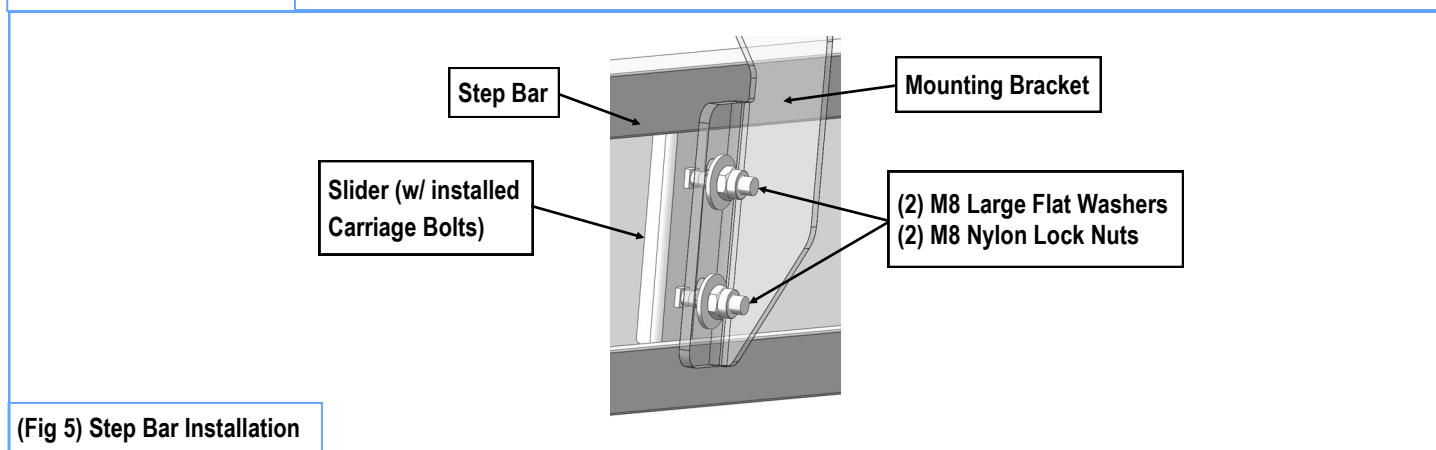
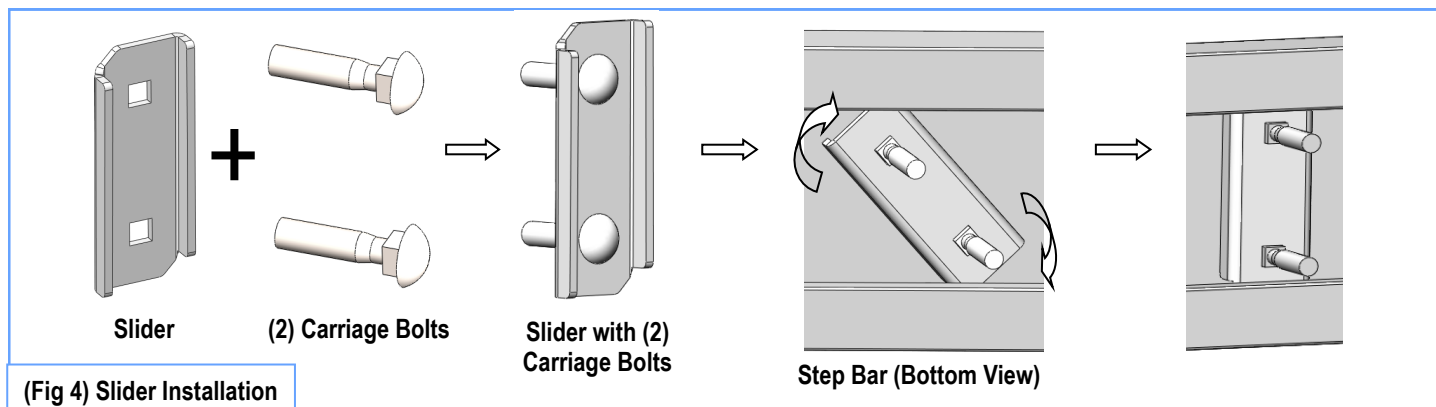
STEP 4

Once all (2) mounting brackets are installed, then proceed to the Step Bar installation. (Figs 4&5)

- (1) Select (1) Slider and (2) M8X1.25-35mm Carriage Bolts;
- (2) Install (2) M8X1.25-35mm Carriage Bolts in (1) Slider.
- (3) Slide the Slider (with carriage bolts) to the **Step Bar**.
- (4) Repeat to install the other (1) slider to the step bar.
- (5) Attach the Step Bar (with the Sliders) onto the installed mounting brackets. Position the Sliders to the installed brackets. Secure the Step Bar to the installed Brackets by using (4) M8 Large Flat Washers and (4) M8 Nylon Lock Nuts and (2) Sliders, (Fig 5). Do not fully tighten hardware at this time.

Note: The Sliders are packed with Mounting Brackets.

Level and adjust the Step Bar and fully tighten all hardware.
The installation is completed!!!



Attention

Do periodic inspections to the installation to make sure that all hardware is secure and tight.
In order to protect your bars/boards, please use mild soap/non-abrasive products for cleaning only.