



Installation Instructions for IB-ZK406

iBoard™ by APS Auto Parts Specialist Inc.

Application: For 2016-2018 MERCEDES-BENZ METRIS CARGO VAN

Estimated Time: 1 to 2 hours

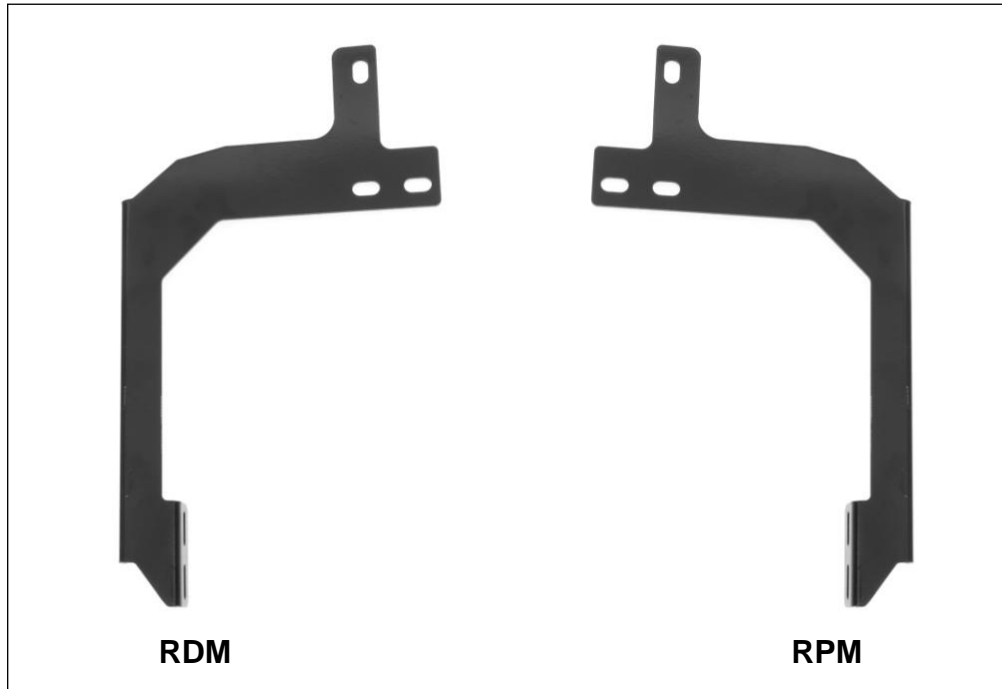
Submit before and after photos to iboardauto.com for a chance to win prizes!



Disclaimer: Instructions intended for persons aged 18+ please do not attempt without adult supervision. Instructions are not intended to replace professional installation. Damage from improper installation, misuse or modification to the product voids the manufacturer's warranty.

PARTS LIST:

Item	QTY	Description	Item	QTY	Description
#01	1	Rear Step	#06	6	M12x1.75 Nylon Lock Nuts
#02	1	Driver/left Frame Mounting Bracket(RDM)	#07	4	M6X1.0 Nylon Lock Nuts
#03	1	Passenger/right Frame Mounting Bracket(RPM)	#08	4	M6X1.0 - 20mm T-Bolts
#04	6	M12 x1.75 - 90mm Hex Bolts	#09	4	M6 Flat Washers
#05	12	M12 Flat Washers			



PROCEDURE:

REMOVE CONTENTS FROM BOX. VERIFY ALL PARTS ARE PRESENT. READ INSTRUCTIONS CAREFULLY BEFORE STARTING INSTALLATION. ASSISTANCE IS RECOMMENDED. LET EXHAUST COOL COMPLETELY BEFORE INSTALLATION.

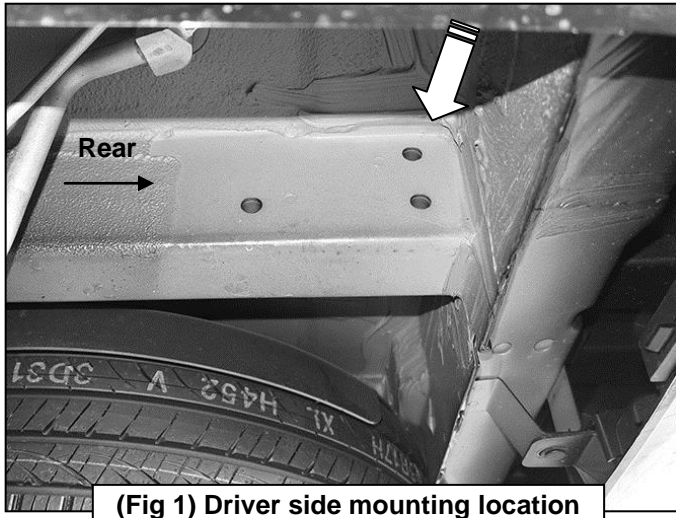
1. Start the installation under the driver side, rear of the vehicle, **(Figure 1)**. Locate the (3) mounting holes in the frame.
2. Select the driver/left Frame Bracket. Attach the Bracket to the outside of the frame with the included (3) M12 Hex Bolts, (6) M12 Flat Washers and (3) M12 Nylon Lock Nuts, **(Figures 2 & 3)**. Do not fully tighten hardware at this time.
3. Repeat **Steps 1 & 2** to install the passenger side Frame Bracket.
4. Select the Rear Step. Slip (2)M6 T-bolts into each bottom channel **(Figure 4)**. Carefully position the Rear Step onto the (1) Mounting Brackets. **IMPORTANT:** Do not slide, (front to back), the Rear Step on the Brackets or damage to the finish may result. Attach the Rear Step to Mounting Brackets with (2)M6 T-bolts, (2)M6 flat washers and (2)M6 nylon lock nuts **(Figure 5)**. Do not tighten at this time.
5. Align and adjust the Rear Step as necessary and fully tighten all hardware. **NOTE: Torque all M6 nylon lock nuts to 7 lb-ft.**
6. Do periodic inspections of the installation to make sure that all hardware is secure and tight.

To protect your investment, wax this product after installing. Regular waxing is recommended to add a protective layer over the finish. Do not use any type of polish or wax that may contain abrasives that could damage the finish.

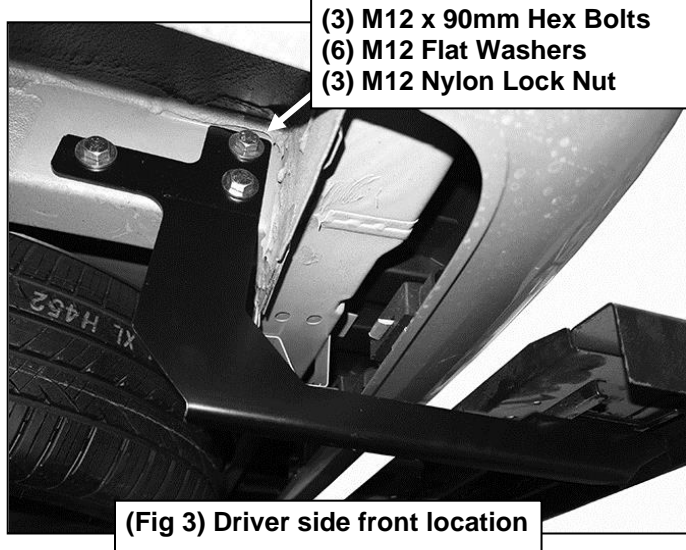
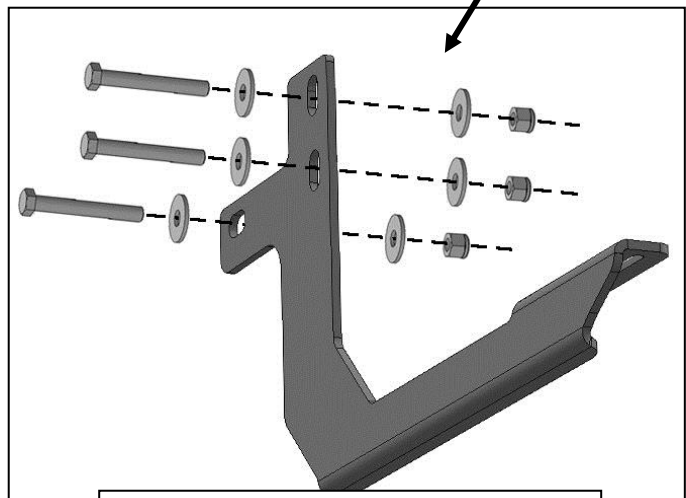
For Polished Finishes: Aluminum polish may be used to polish small scratches and scuffs on the finish. Mild soap may be used also to clean the Rear Step.

For Black Finishes: Mild soap may be used to clean the Rear Step.

Driver/left Side Installation Pictured



- (3) M12 x 90mm Hex Bolts
- (6) M12 Flat Washers
- (3) M12 Nylon Lock Nut



- (3) M12 x 90mm Hex Bolts
- (6) M12 Flat Washers
- (3) M12 Nylon Lock Nut

