

# iBoard®

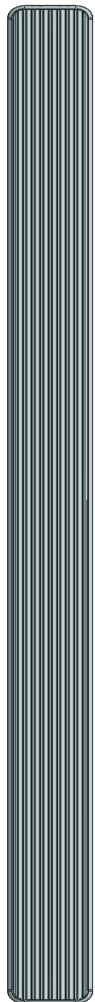
## iBoard® by APS

PART#: IB-351

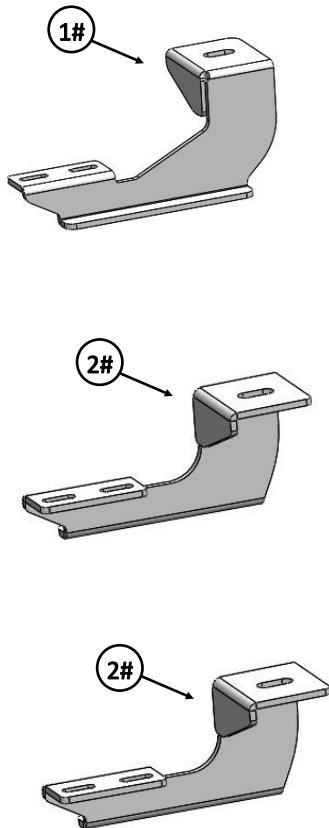
READ INSTRUCTIONS CAREFULLY BEFORE STARTING INSTALLATION. REMOVE CONTENTS FROM BOX AND VERIFY ALL PARTS ARE PRESENT. ASSISTANCE IS RECOMMENDED.

\*ROCKER PANEL MOUNT  
\*NO DRILLING REQUIRED / CUTTING MAY BE REQUIRED

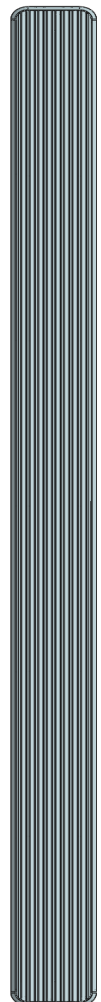
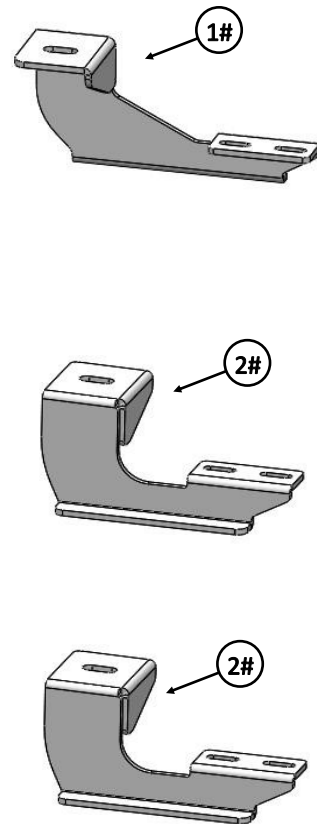
Fastener Size	Tightening Torque (ft-lbs)	Required
6mm	6-7	√
8mm	16-18	X
10mm	31-32	√
12mm	56-58	X
14mm	92-94	X



Driver Side Step Bar



Front  
↑

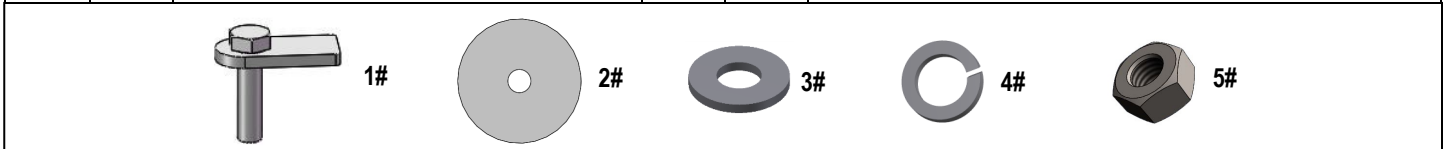


Passenger Side Step Bar

# iBoard®

Mounting Bracket List					
Item	QTY	Description	Item	QTY	Description
1#	2	Driver & Passenger Front Mounting Brackets	2#	4	Mounting Brackets

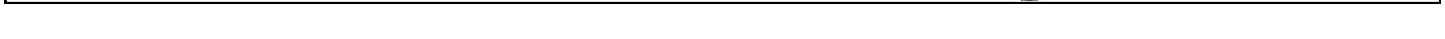
Hardware Package A (For Bracket Installation)					
Item	QTY	Description	Item	QTY	Description
1#	6	M10 Bolt Plates	4#	6	M10 Lock Washers
2#	6	M10 Plastic Washers	5#	6	M10 Hex Nuts
3#	6	M10 Large Flat Washers			



Hardware Package B (For Aluminum Step Bar Installation Only, Not Supply to SS. Step Bar)					
Item	QTY	Description	Item	QTY	Description
1#	12	M6X1-20mm Square Head Bolts	3#	12	M6 Nylon Lock Nuts
2#	12	M6 Large Flat Washers			



Hardware Package C (For Stainless Steel Step Bar Installation Only, Not Supply to Aluminum Step Bar)					
Item	QTY	Description	Item	QTY	Description
1#	12	M6X1-20mm Hex Bolts	3#	12	M6 Flat Washers
2#	12	M6 Lock Washers			



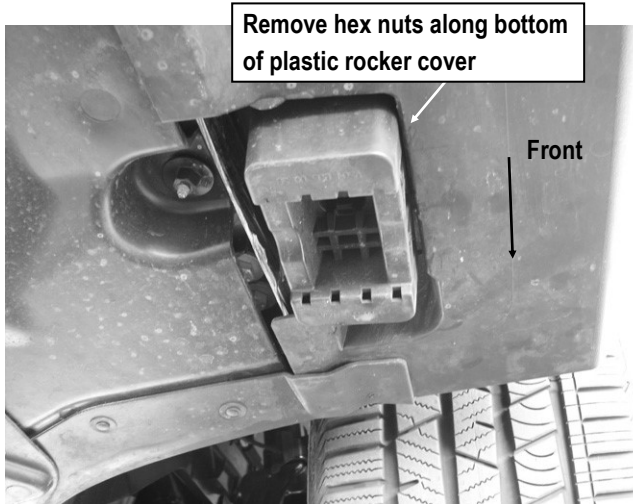
# iBoard®

## STEP 1

Start installation from the passenger side of the vehicle. Removing the factory hex nuts securing the bottom of the plastic rocker cover to the bottom of the vehicle, (Figs 2 & 3). **VERY IMPORTANT:** Installation can be done without removing the plastic rocker cover but it may be easier to cut with the cover removed.

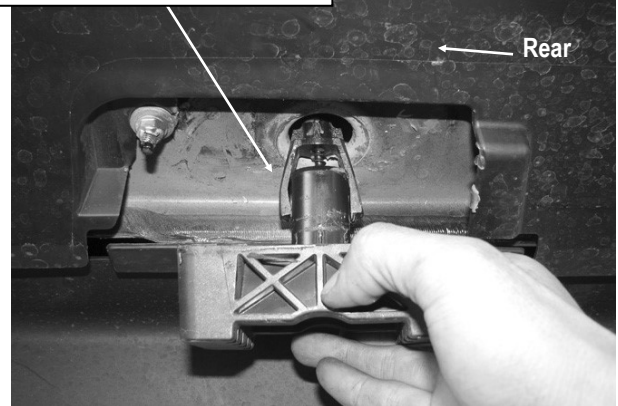
## STEP 2

Start from the passenger side front mounting location, (Fig 1). Loosen the screw in the center of the plastic plug in the floor panel and remove the plug, (Figs 2 & 3). **IMPORTANT:** The plastic plug is made up of (2) pieces. You must remove both the outer plug and the inner clip, (Fig 3).



(Fig 1) Passenger Side Front Mounting Location Pictured

Remove hex nuts along bottom of plastic rocker cover



(Fig 2) Remove Plastic Plug



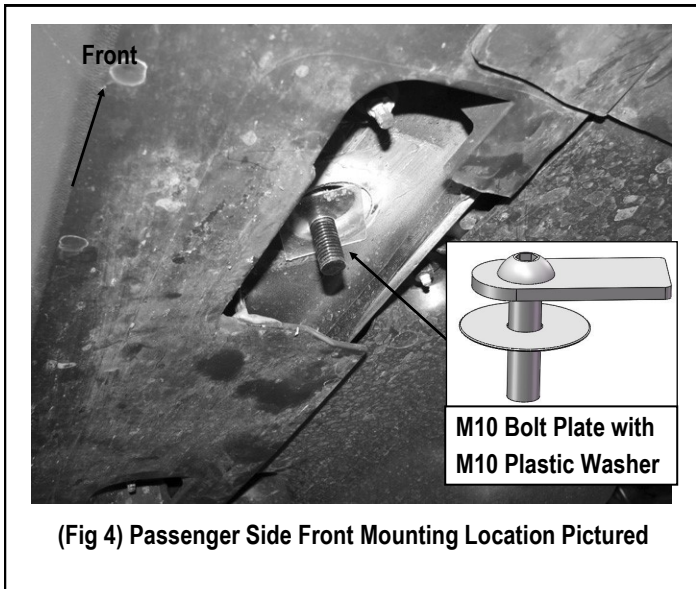
(Fig 3) Passenger Side Front Mounting Location Pictured

## STEP 3

Select (1) M10 Bolt Plate and (1) M10 Plastic Washer, (Fig 4). Thread the M10 Plastic Washer part way onto the Bolt Plate. Insert the Bolt Plate into the hole in the floor panel, (Fig 4). Thread the Plastic Washer down until it is tight against the floor panel.

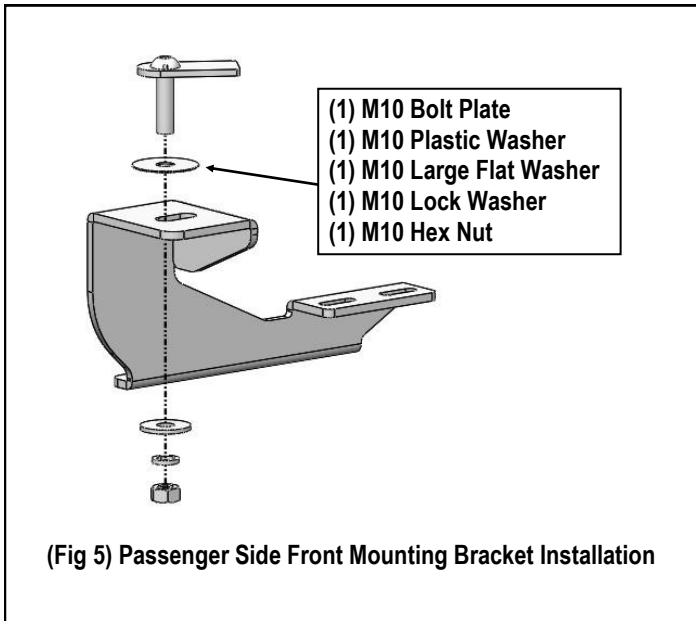
**IMPORTANT:** The Plastic Washer is designed to prevent the Bolt Plate from pushing up into the body panel and to aid in installing the Bracket.

# iBoard®



## STEP 4

Next, select the Driver Front Mounting Bracket. Attach the Bracket to the installed Bolt Plate with (1) M10 Large Flat Washer, (1) M10 Lock Washer and (1) M10 Hex Nut, (Fig 5). Do not fully tighten at this time.



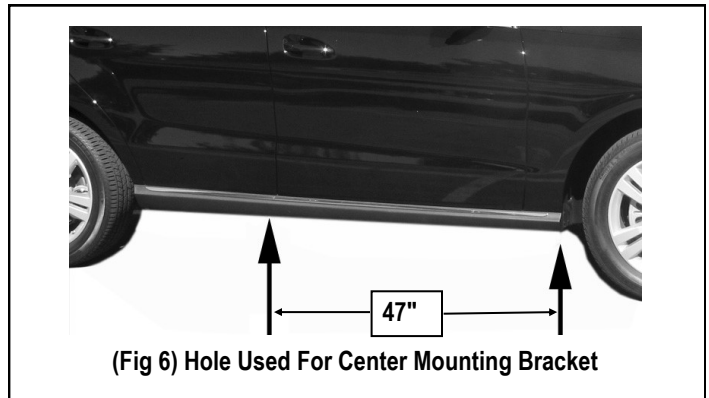
## STEP 5

With the rocker cover loose, pull the cover away from the bottom of the body to locate the factory hole in the floor panel.

**IMPORTANT:** Correct factory hole is approximately 47" back from the front wheel opening, (Fig 6).

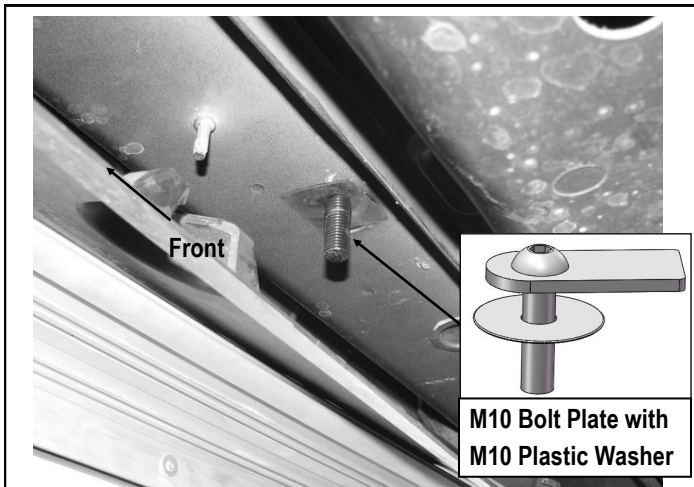
Remove the plug from the hole, (Fig 7), and insert (1) M10 Bolt Plate with (1) M10 Plastic Washer as previously described in Step 2, (Fig 8).

Mark the location of the Bolt Plate, (or factory hole for Bolt Plate), onto the cover, (see white X-Fig 9A). Select (1) Mounting Bracket. Hold the Bracket in place with the slot in the Bracket lined up over the mark for the Bolt Plate. Mark the outline of the Bracket onto the plastic cover, (Fig 9B). Cut the cover only as necessary to clear the Bracket. **NOTE:** It may be necessary to trim the cover to allow for in and out movement during Bracket adjustment. Repeat Step 4 for the Mounting Bracket installation. Do not fully tighten at this time.

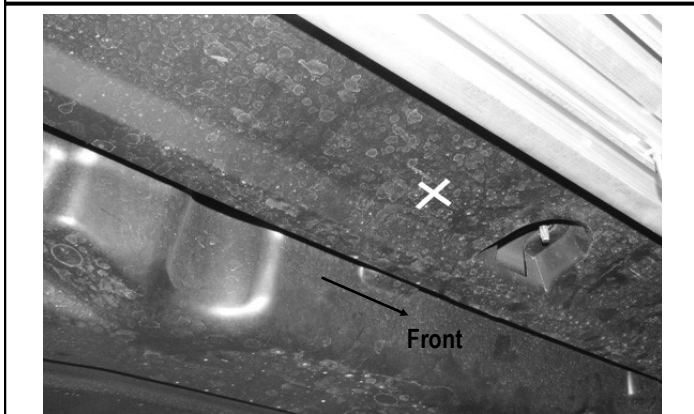




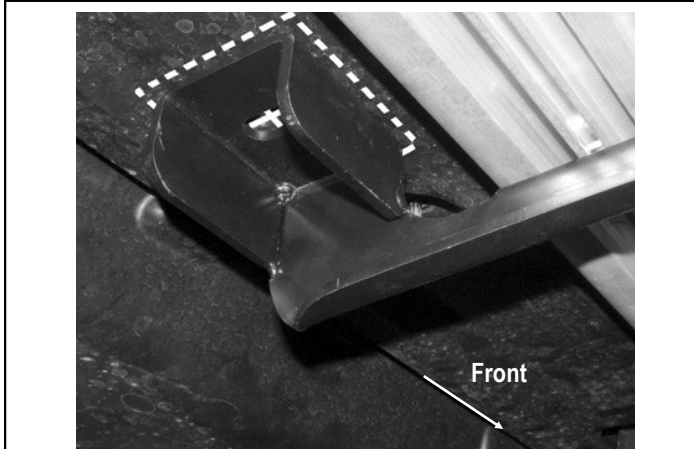
# iBoard®



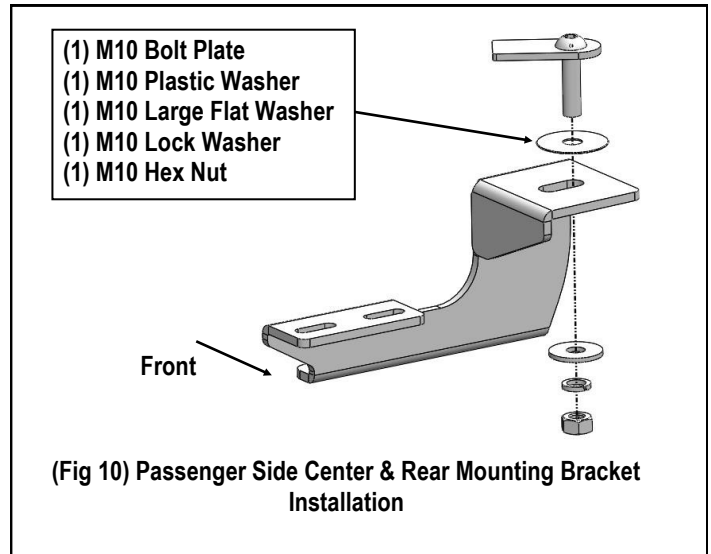
(Fig 8) Passenger Side Center Mounting Location Pictured



(Fig 9A) Mark The Location Of The Bolt Plate ( White X)



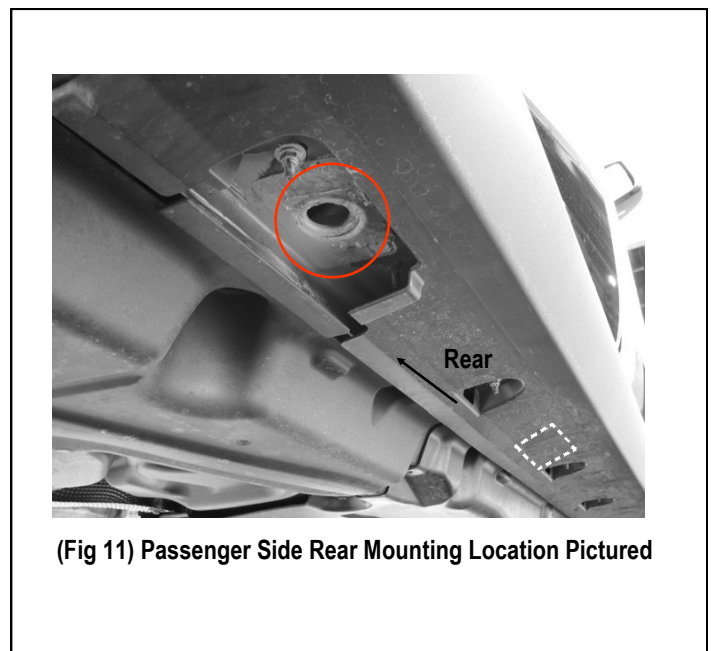
(Fig 9B) Hold the Bracket in place with the slot in the Bracket (Picture For Reference Only)



(Fig 10) Passenger Side Center & Rear Mounting Bracket Installation

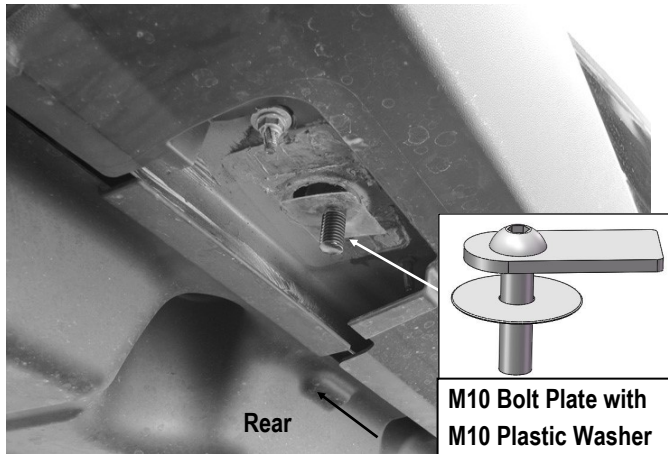
## STEP 6

Move to the rear of the vehicle. Remove the plastic plug directly in front of the rear tire as described in **Step 2, (Fig 11)**. Repeat **Steps 2 – 4** for passenger side rear Mounting Bracket installation, (Figs 12 & 10).



(Fig 11) Passenger Side Rear Mounting Location Pictured

# iBoard®



(Fig 12) Passenger Side Rear Mounting Location Pictured

## STEP 7

Once all (3) mounting brackets are installed, then proceed to the Step Bar installation. According to the style of Step Bar proceed to the correct installation STEPS.

**Note:** Aluminum Step Bar refer to STEP 8; Stainless Steel Step Bar skip to STEP 9.

## STEP 8

### Aluminum Step Bar Installation:

Select a **Aluminum Step Bar**. Slip (3) M6x1-20mm Square Head Bolts into each bottom channel (Fig 13). Carefully position the Step Bar onto the (3) Mounting Brackets.

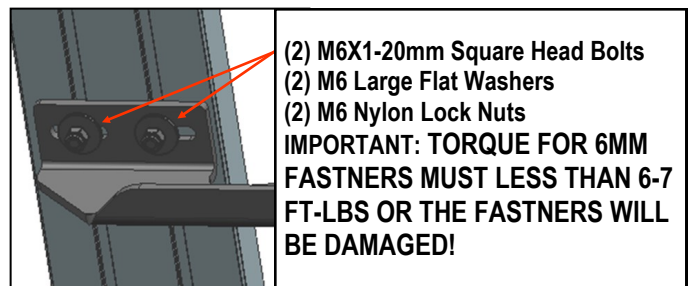
**IMPORTANT:** Do not slide the Step Bar on the Brackets or the bottom surface of the board will be damaged. Attach the Step Bar to each Mounting Brackets with (2) M6x1-20mm Square Head Bolts, (2) M6 Large Flat Washers and (2) M6 Nylon Lock Nuts, (Fig 14). Do not fully tighten at this time.

Level and adjust the Step Bar and fully tighten all hardware.

Repeat **Steps 1-8** for the other side Step Bar installation. **The installation is completed!!!**



(Fig 13) Slip M6X1-20mm Square Head Bolts Into The Bottom Channels



(Fig 14) Step Bar Installed Onto Mounting Bracket

## STEP 9

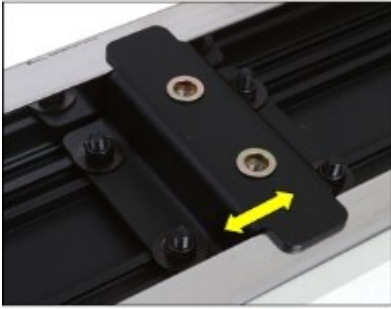
### Stainless Steel Step Bar Installation:

Select a **Stainless Steel Step Bar** (with the U-Sliders installed on the Bar). Loose the U-Sliders, reposition the U-Sliders onto the board according to the (3) Installed Mounting Brackets location, (Fig 15). Re-secure the U-Sliders on the Step Bar. Attach the Step Bar to the installed Mounting Brackets with (6) M6X1-20mm Hex Bolts, (6) M6 Large Flat Washers & (6) M6 Lock Washers, (Fig 16). Do not fully tighten hardware at this time.

Level and adjust the Step Bar and fully tighten all hardware.

Repeat **Steps 1-7 and 9** for the other side Step Bar installation. **The installation is completed!!!**

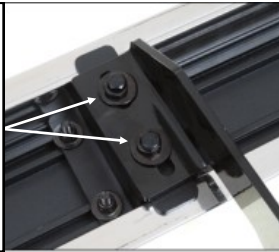
# iBoard®



(Fig 15) Slide & line up the U-Slider with the installed mounting brackets along bottom channel

- (2) M6X1-20mm Hex Bolts
- (2) M6 Large Flat Washers
- (2) M6 Lock Washers

**IMPORTANT: TORQUE FOR 6MM FASTNERS MUST LESS THAN 6-7 FT-LBS OR THE FASTNERS WILL BE DAMAGED!**



(Fig 16) Step Bar Installed on Bracket Installed

### Attention

Do periodic inspections to the installation to make sure that all hardware is secure and tight.

In order to protect your bars/boards, please use only mild soap/non-abrasive products for cleaning.