

iBoard®

iBoard® by APS

PART#: IB-063A-B

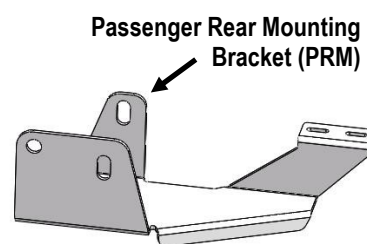
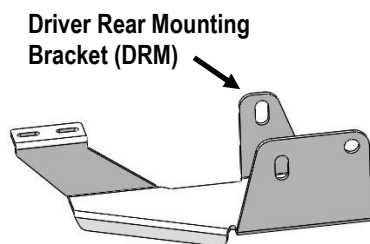
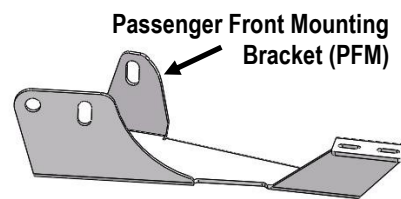
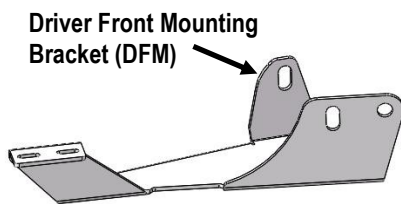
READ INSTRUCTIONS CAREFULLY BEFORE STARTING INSTALLATION. REMOVE CONTENTS FROM BOX AND VERIFY ALL PARTS ARE PRESENT. ASSISTANCE IS RECOMMENDED.

*BODY FRAME MOUNT
*NO DRILLING REQUIRED

Fastener Size	Tightening Torque (ft-lbs)
6mm	6-7
8mm	16-18
10mm	31-32
12mm	56-58
14mm	92-94

PART LIST

Front



Customer Support: info@iboardauto.com

iBoard®



X10
M12X1.75-
45mm Hex Bolt



X2
M12X1.75-
30mm Hex Bolt



X24
M12 Large Flat Washer



X12
M12 Lock Washer



X12
M12 Hex Nut



X8
M6X1-20mm
Square Head Bolt



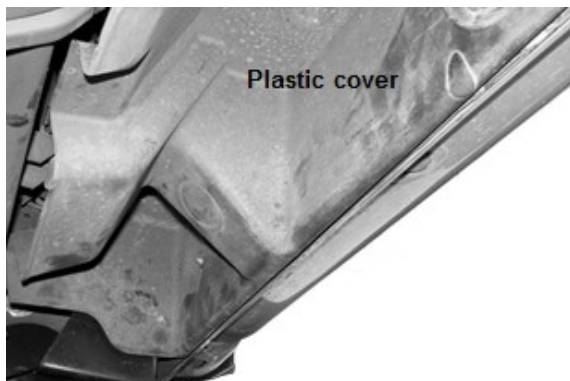
X8
M6 Large Flat
Washer



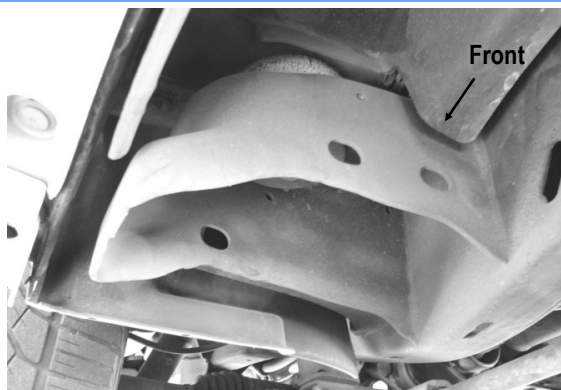
X8
M6 Nylon
Lock Nut

STEP 1

Start installation from the driver side front of the vehicle. Remove the factory hex bolts securing the plastic rocker panel cover on the driver side to the vehicle, (**Figs 1 & 2**). Place the cover on a clean surface.



(Fig 1) Driver Side Front Body Mount

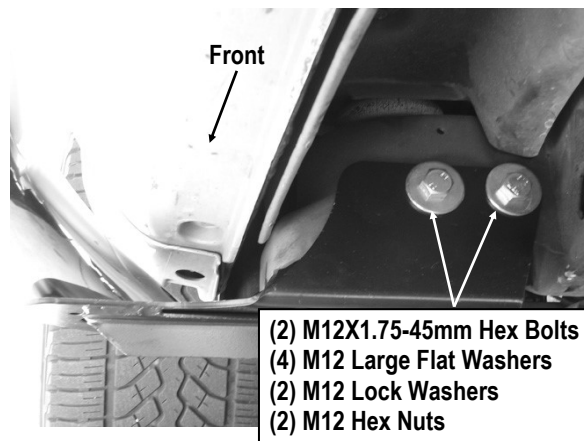


(Fig 2) Driver Side Front Body Mount
(After Plastic Cover Removed)

STEP 2

Position the Driver Front Mounting Bracket up to the underside of the body mount-frame channel. Bolt the Bracket to the back of the frame channel with (2) M12X1.75-45mm Hex Bolts, (4) M12 Large Flat Washers, (2) M12 Lock Washers and (2) M12 Hex Nuts, (**Figs 3 & 4**). Insert (1) M12X1.75-30mm Shorter Hex Bolt with (2) M12 Large Flat Washers, (1) M12 Lock Washer and (1) M12 Hex Nut into the front tab on the Mounting Bracket and into the frame channel. Do not fully tighten hardware at this time.

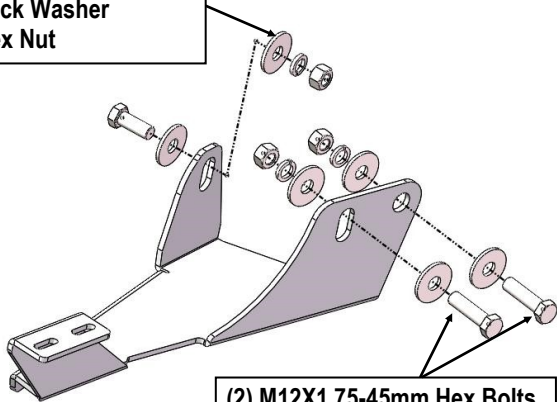
IMPORTANT: Only use the (2) M12X1.75-30mm Hex Bolt (**Shorter**) in the front mounting location for the driver side and passenger side **Front Mounting Brackets**.



(Fig 3) Driver Side Front Mounting Bracket Installed
(After Plastic Cover Removed)

iBoard®

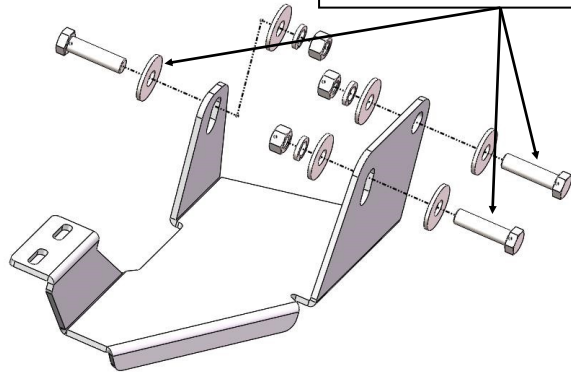
- (1) M12X1.75-30mm Hex Bolt
- (2) M12 Large Flat Washers
- (1) M12 Lock Washer
- (1) M12 Hex Nut



- (2) M12X1.75-45mm Hex Bolts
- (4) M12 Large Flat Washers
- (2) M12 Lock Washers
- (2) M12 Hex Nuts

(Fig 4) Driver Front Mounting Bracket Installation

- (3) M12X1.75-45mm Hex Bolts
- (6) M12 Large Flat Washers
- (3) M12 Lock Washers
- (3) M12 Hex Nuts



(Fig 6) Driver Rear Mounting Bracket Installation

STEP 3

Move to the driver side rear mounting location, (Fig 5). Repeat **Steps 1 & 2** for the Driver Rear Mounting Bracket installation with (3) M12X1.75-45mm Hex Bolts, (6) M12 Large Flat Washers, (3) M12 Lock Washers and (3) M12 Hex Nuts, (Figs 6 & 7). Do not fully tighten hardware at this time.



(Fig 5) Driver Side Rear Body Mount Location (After Plastic Cover Removed)



- (1) M12X1.75-45mm Hex Bolt
- (2) M12 Large Flat Washers
- (1) M12 Lock Washer
- (1) M12 Hex Nut

(Fig 7) Driver Rear Mounting Bracket Installed

STEP 4

Select a Running Board. Slip (2) M6X1-20mm Square Head Bolts into each bottom channel, (Fig 8). Carefully position the Running Board onto the (2) Mounting Brackets.

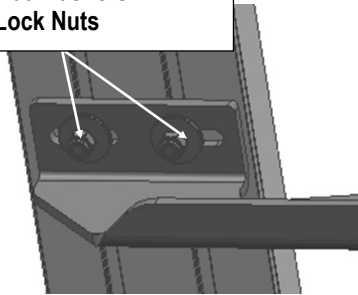
IMPORTANT: Do not slide the Running Board on the Brackets or the bottom surface of the board will be damaged. Attach the Running Board to each Mounting Bracket with (2) M6x1-20mm Square Head Bolts, (2) M6 Large Flat Washers and (2) M6 Nylon Lock Nuts, (Fig 9). Do not fully tighten at this time.

iBoard®



(Fig 8) Slip M6X1-20mm Square Head Bolts Into The Bottom Channels

(2) M6X1-20mm Square Head Bolts
(2) M6 Large Flat Washers
(2) M6 Nylon Lock Nuts



(Fig 9) Running Board Installed Onto the Mounting Bracket

STEP 5

Level and adjust the Running Board and fully tighten all hardware.

STEP 6

Repeat **Steps 1-5** for other side Running Board installation. The installation is completed.

Attention

Do periodic inspections to the installation to make sure that all hardware is secure and tight.

In order to protect your bars/boards, please use only mild soap/non-abrasive products for cleaning.