



iBoard® by APS

PART#: IB-406&416C&H

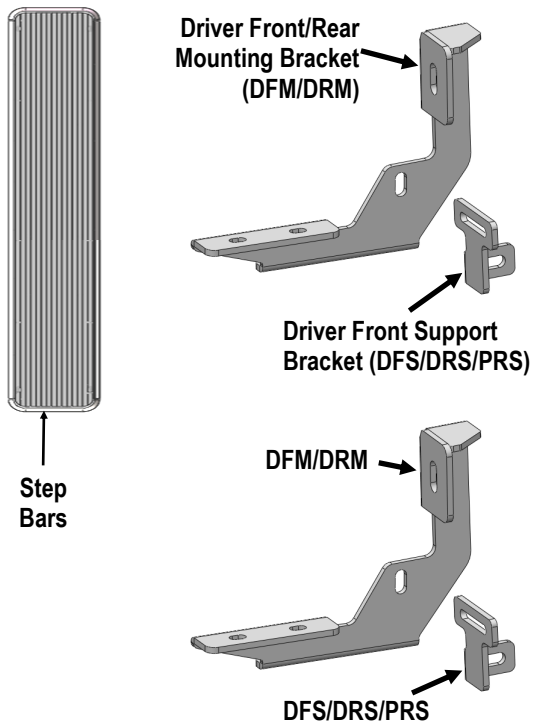
READ INSTRUCTIONS CAREFULLY BEFORE STARTING INSTALLATION. REMOVE CONTENTS FROM BOX AND VERIFY ALL PARTS ARE PRESENT. ASSISTANCE IS RECOMMENDED.

*ROCKER PANEL MOUNT
*DRILLING IS REQUIRED

Fastener Size	Tightening Torque (ft-lbs)	Required
6mm	6-7	√
8mm	16-18	√
10mm	31-32	√
12mm	56-58	X
14mm	92-94	X

PART LIST

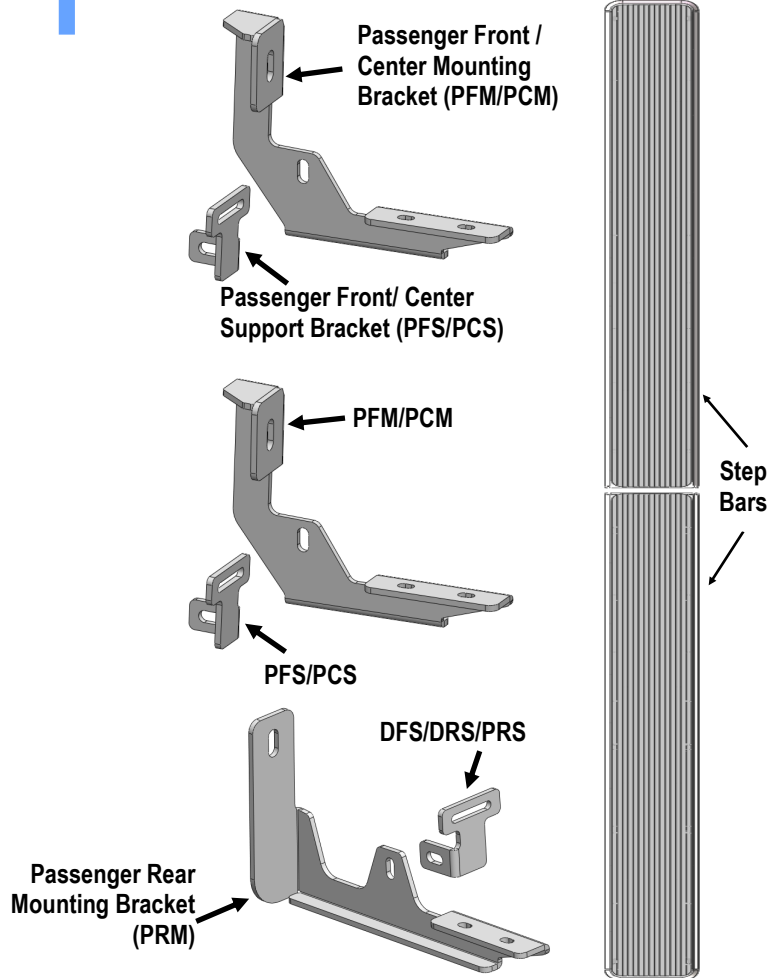
Driver Side Step Bar



Front



Passenger Side Step Bar





Hardware Package A (For Bracket Installation)

Item	QTY	Description	Item	QTY	Description
1#	5	M10 Bolt Plates	8#	5	M8 Lock Washers
2#	5	M10 Plastic Washers	9#	5	M8 Hex Nuts
3#	5	M10 Large Flat Washers	10#	10	M6X1-25mm Hex Bolts
4#	5	M10 Lock Washers	11#	20	M6 Large Flat Washers
5#	5	M10 Hex Nuts	12#	10	M6 Lock Washers
6#	5	M8X1.25-25mm Hex Bolts	13#	10	M6 Hex Nuts
7#	10	M8 Large Flat Washers			

Hardware Package B (For Stainless Steel Step Bar Installation)

Item	QTY	Description	Item	QTY	Description
1#	10	M8X1.25-35mm Carriage Bolts	3#	10	M8 Nylon Lock Nuts
2#	10	M8 Large Flat Washers	4#	5	Sliders (Packed with Step Bars)

Hardware Package C (For Stainless Steel Step Bar Assembly)

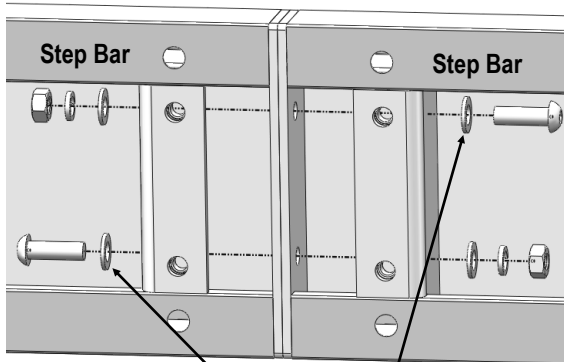
Item	QTY	Description	Item	QTY	Description
1#	4	Plastic Rivets	5#	2	M8 Hex Nuts
2#	6	M8X1.25-25mm Inner Hex Bolts	6#	1	Plastic Cover (Packed with Step Bars)
3#	8	M8 Flat Washers	7#	1	Back Plate (Packed with Step Bars)
4#	6	M8 Lock Washers			



STEP 1

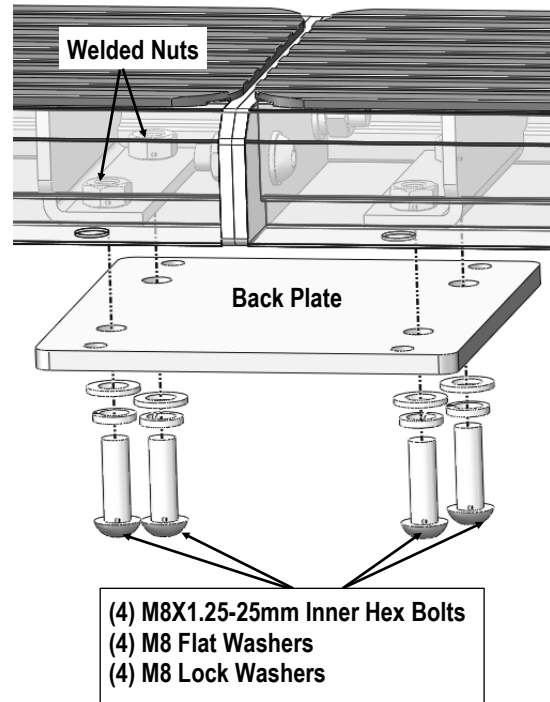
Passenger Side Step Bar Assembly:

1. Select and assemble (2) Step Bars with (2) M8X1.25-25mm Inner Hex Bolts, (4) M8 Flat Washers, (2) M8 Lock Washers and (2) M8 Hex Nuts, (Fig 1). **NOTE: (2) Step Bars are universal.**
2. Attach (1) Back Plate to the bottom of the installed (2) Step Bars with (4) M8X1.25-25mm Inner Hex Bolts, (4) M8 Flat Washers, (4) M8 Lock Washers, (Fig 2).
3. Install (1) Plastic Cover to cover the joint of (2) Step bars with (4) Plastic Rivets, (Fig 3).

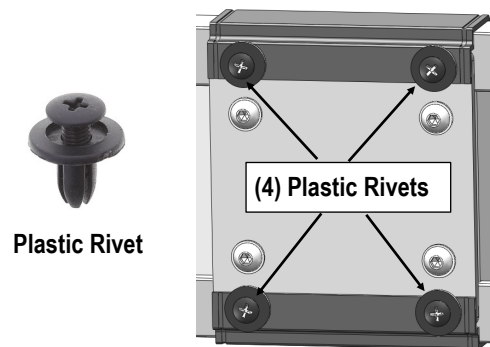


(2) M8X1.25-25mm Inner Hex Bolts
(4) M8 Flat Washers
(2) M8 Lock Washers
(2) M8 Hex Nuts

(Fig 1) Step Bars Assembly



(Fig 2) Back Plate Installation



(Fig 3) Plastic Cover Installation (Bottom View)

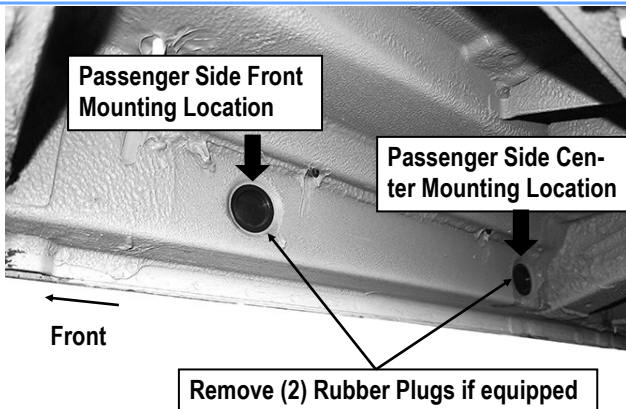
Assembled Passenger Side Step Bar





STEP 2

Starting on the passenger front side of the vehicle, locate the factory holes in the inner body panel closest to the front tire opening, (Fig 4). Remove the rubber plugs if equipped.

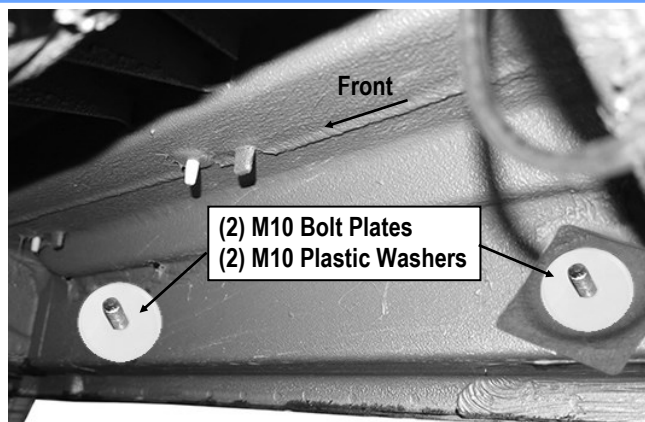


(Fig 4) Passenger Side Front & Center Mounting Locations

STEP 3

Select (2) M10 Bolt Plate and (2) M10 Plastic Washer. Insert the M10 Bolt Plates into the mounting holes and thread (1) M10 Plastic Washer on each Bolt Plate to hold the bolt plates in place, (Fig 5).

IMPORTANT: The Plastic Washer is designed to keep the Bolt Plate from falling into the body panel during bracket installation.



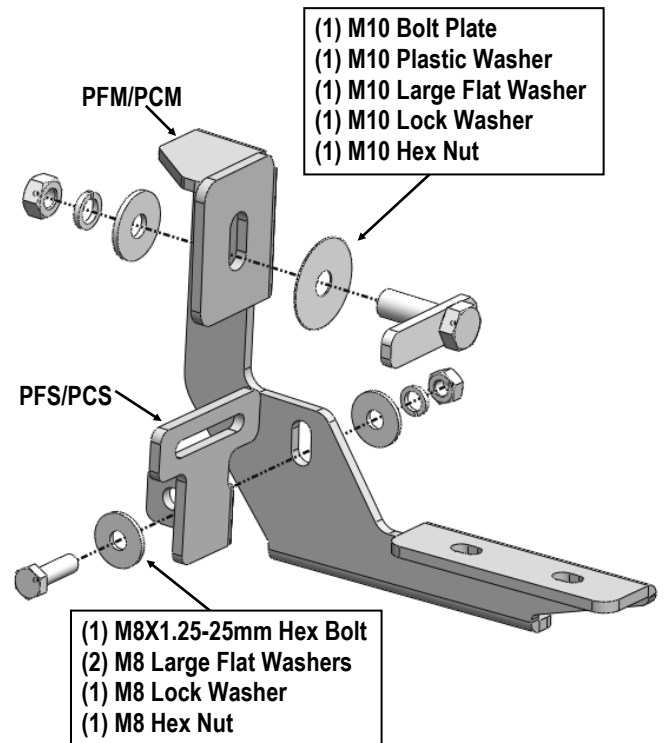
(Fig 5) M10 Bolt Plate Installed
(On Passenger Side Front & Center Mounting Location)

STEP 4

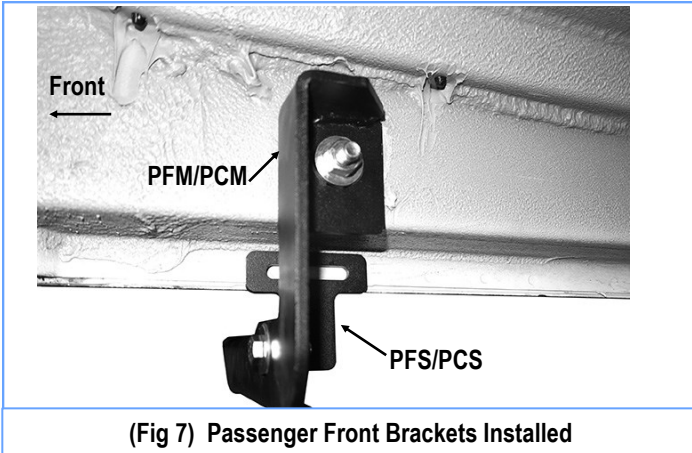
Attach the Passenger Front Mounting Bracket (PFM/PCM) to the installed M10 Bolt Plate with (1) M10 Flat Washer, (1) M10 Lock Washer and (1) M10 Hex Nut, (Fig 6). Do not fully tighten hardware at this time.

STEP 5

Next, select (1) Passenger Front Support Bracket (PFS/PCS). Attach the Support Bracket to the back of the Passenger Front Mounting Bracket (PFM/PCM) with (1) M8X1.25-25mm Hex Bolt, (2) M8 Large Flat Washers, (1) M8 Lock washer and (1) M8 Hex Nuts, (Fig 6). Line up the mounting flange on the Support Bracket with the **back** of the pinch weld, (Fig 7). Do not fully tighten hardware at this time.



(Fig 6) Passenger Front Mounting Bracket (PFM/PCM) and Passenger Front Support Bracket (PFS/PCS) Installation



(Fig 7) Passenger Front Brackets Installed

STEP 6

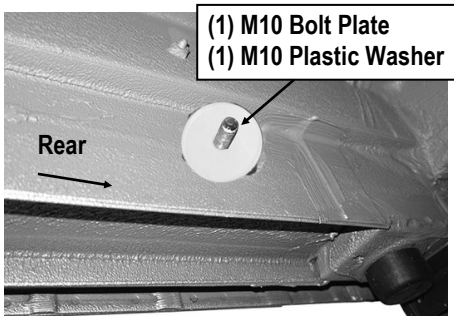
Move to the passenger side center mounting location. Repeat **Steps 2—5** to install the Passenger Center Mounting Bracket (PFM/PCM) and Passenger Center Support Bracket (PFS/PCS).

Note: Passenger Front & Center Mounting Bracket (PFM/PCM) are universal; Passenger Front & Center Support Bracket (PFS/PCS) are universal.

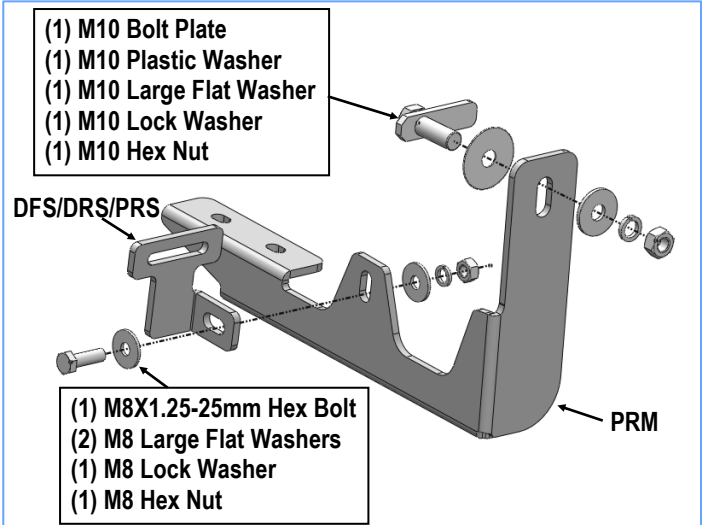
STEP 7

Move to the passenger side rear mounting location, (Fig 8). Repeat **Steps 2—5** to install the Passenger Rear Mounting Bracket (PRM) and Passenger Rear Support Bracket (DFS/DRS/PRS), (Fig 9 & 10).

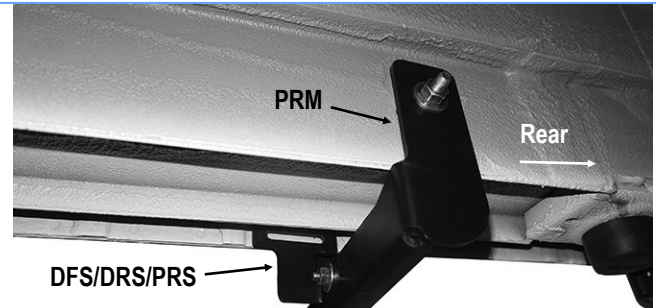
Note: Passenger Rear Support Bracket, Driver Front Support Bracket and Driver Center Support Bracket are universal.



(Fig 8) Passenger Side Rear Mounting Location



(Fig 9) Passenger Rear Mounting Bracket (PRM) and Passenger Rear Support Bracket (DFS/DRS/PRS) Installation



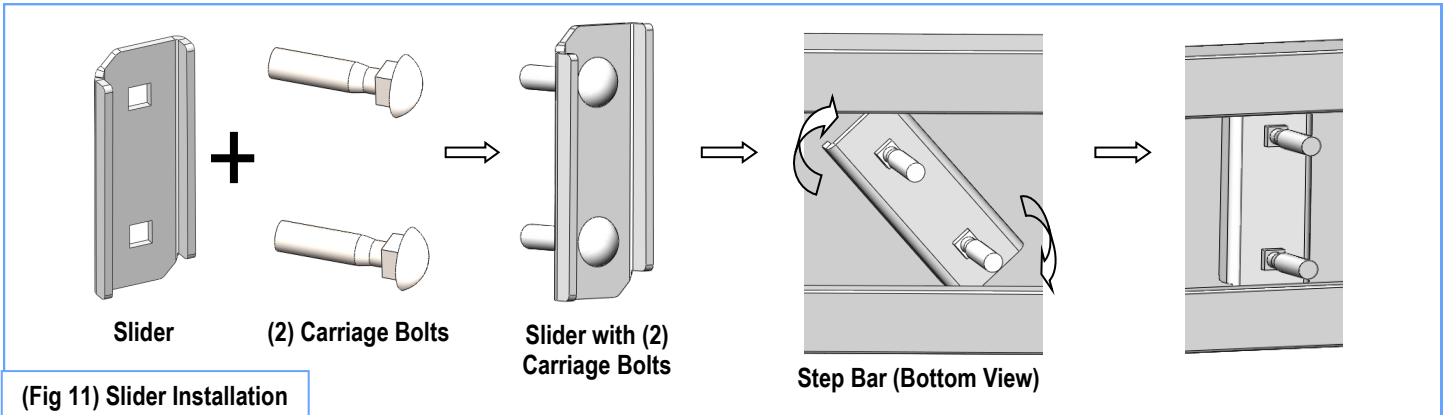
(Fig 10) Passenger Rear Bracket Installed

STEP 8

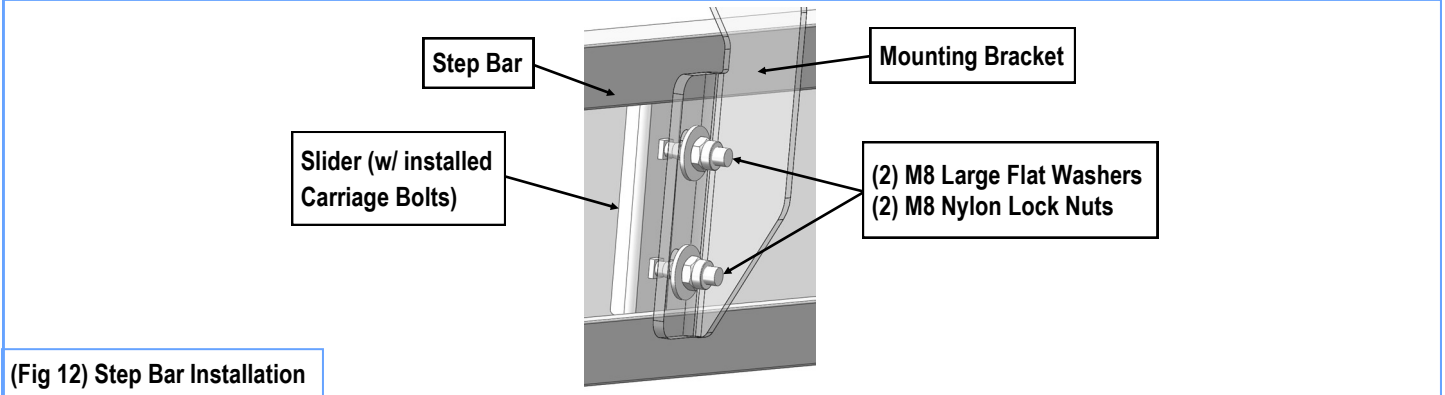
Once all (3) Passenger side mounting brackets are installed, then proceed to the Step Bar installation. (Figs 11 & 12)

- (1) Select (1) Slider and (2) M8X1.25-35mm Carriage Bolts;
- (2) Install (2) M8X1.25-35mm Carriage Bolts in (1) Slider.
- (3) Slide the Slider (with carriage bolts) to the **Step Bar**.
- (4) Repeat to install the other (2) sliders to the step bar.
- (5) Attach the Step Bar (with the Sliders) onto the installed mounting brackets. Position the Sliders to the installed brackets. Secure the Step Bar to the installed Brackets by using (6) M8 Large Flat Washers and (6) M8 Nylon Lock Nuts and (3) Sliders, (Fig 12). Do not fully tighten hardware at this time.

Note: The Sliders are packed with the Step Bars.



(Fig 11) Slider Installation



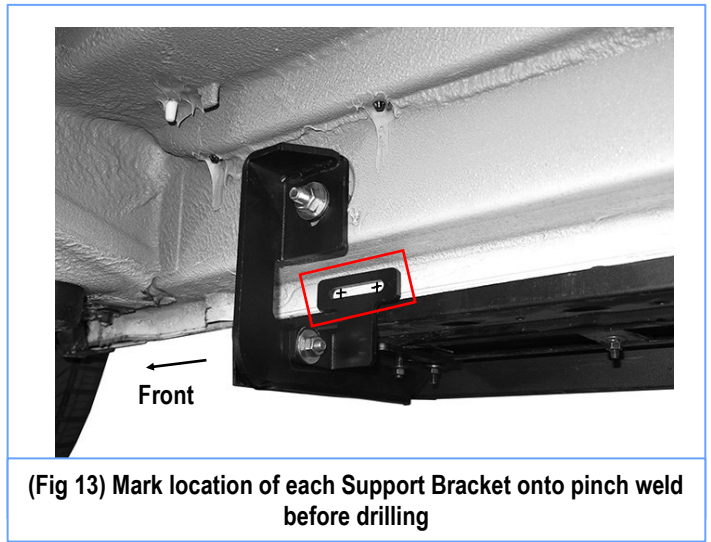
(Fig 12) Step Bar Installation

STEP 9

Make sure the Brackets are level to the vehicle. Line up the slots on each Support Bracket with the back of the pinch weld. Mark the location of the slots onto the pinch weld, (Fig 13).

IMPORTANT: Do not drill too close to the bottom edge of the pinch weld. Adjust Support Brackets and/or Mounting Brackets to move slot in support bracket up away from the bottom edge of the pinch weld.

Once the Step Bar and Brackets are properly adjusted and slot locations marked, remove the Step Bar and Support Brackets. Use a 1/4" drill bit to drill the (2) holes through the pinch weld for each Support Bracket, (Fig 13). **NOTE:** Drill holes toward outer ends of slot. Avoid drilling through welds in pinch weld.

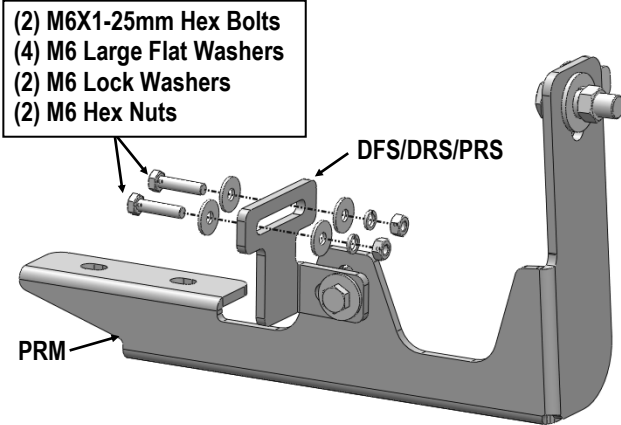


(Fig 13) Mark location of each Support Bracket onto pinch weld before drilling



STEP 10

Attach each Support Bracket to the pinch weld with (2) M6X1-25mm Hex Bolts, (4) M6 Large Flat Washers, (2) M6 Lock Washers and (2) M6 Hex Nuts, (Fig 14). Repeat this Step to attach all (3) Support Brackets. Tighten the hardware attaching the Support Brackets to the vehicle only.

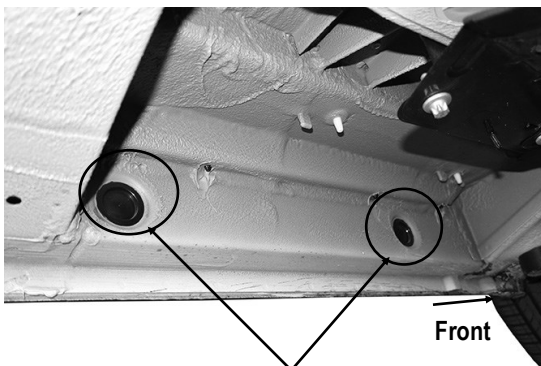


(Fig 14) Attach Support Bracket To Pinch Weld

STEP 11

Move to the Driver side of the vehicle (Fig 15). Repeat Steps 2-5 to install the driver side front and rear Mounting Brackets and Support Brackets, (Fig 16). Do not fully tighten hardware at this time.

Note: Driver Front & Rear Mounting Bracket (DFM/DRM) are universal; Passenger Rear Support Bracket, Driver Front Support Bracket and Driver Center Support Bracket are universal.



(Fig 15) Driver Side Front and Rear Mounting Locations

STEP 12

Repeat Steps 9—10 to drill holes on the pinch weld and install the support brackets, (Fig 15), and install the Driver Side Step Bar (the short one).



(Fig 16) Driver Side Front Bracket Installation

STEP 13

Level and adjust the Step Bar and fully tighten all hardware.

Installation completed.

Attention

Do periodic inspections to the installation to make sure that all hardware is secure and tight.

In order to protect your bars/boards, please use mild soap/non-abrasive products for cleaning only.