



iBoard® by APS

PART#: IB-112C&H

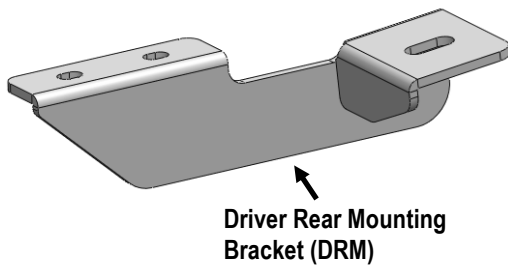
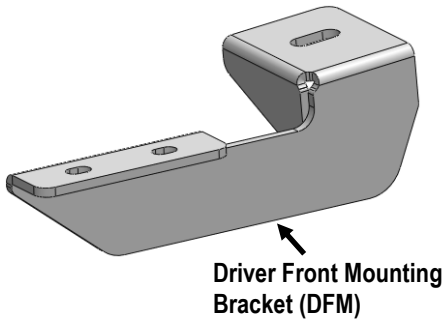
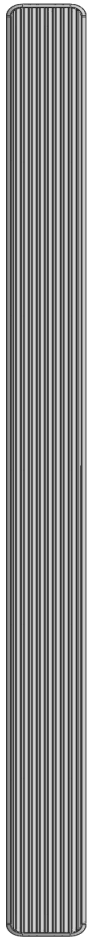
READ INSTRUCTIONS CAREFULLY BEFORE STARTING INSTALLATION. REMOVE CONTENTS FROM BOX AND VERIFY ALL PARTS ARE PRESENT. ASSISTANCE IS RECOMMENDED.

*BODY FRAME MOUNT
*NO DRILLING REQUIRED

Fastener Size	Tightening Torque (ft-lbs)	Required
6mm	6-7	X
8mm	16-18	√
10mm	31-32	√
12mm	56-58	X
14mm	92-94	X

PART LIST

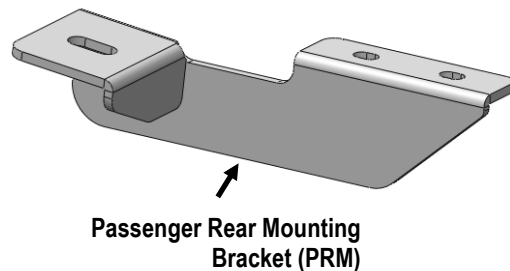
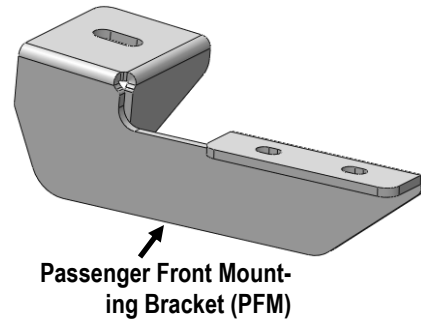
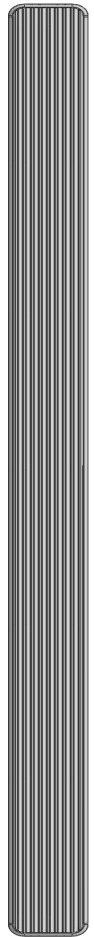
Driver Side Step Bar



Front



Passenger Side Step Bar





Hardware Package A (For Bracket Installation)

Item	QTY	Description	Item	QTY	Description
1#	4	M10X40 Bolt Plates	4#	4	M10 Lock Washers
2#	4	M10 Plastic Washers	5#	4	M10 Hex Nuts
3#	4	M10 Large Flat Washers			



1#



2#



3#



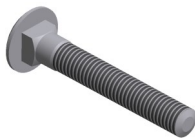
4#



5#

Hardware Package B (For Stainless Steel Step Bar Installation)

Item	QTY	Description	Item	QTY	Description
1#	8	M8X1.25-35mm Carriage Bolts	3#	8	M8 Nylon Lock Nuts
2#	8	M8 Large Flat Washers	4#	4	Sliders (Packed with Step Bars)



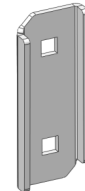
1 #



2 #



3 #



4 #



STEP 1

Start installation from the driver side front of the vehicle. Remove the plastic plug in the center of the jack pad. **NOTE:** Depending on the year and model of vehicle, either unscrew the plug, (Fig 1), or pry the plug out of the center of the jack pad, (Fig 2). Once the plug has been removed, remove the jack pad, (Fig 2).

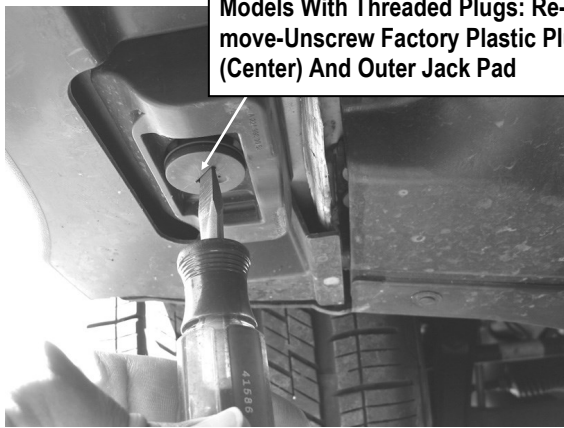


Fig 1



Fig 2

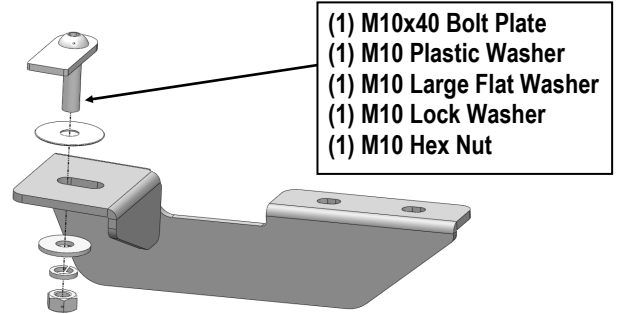
STEP 2

Insert (1) M10x40 Bolt Plate into the factory hole once the jack pad has been removed, (Fig 3).

Select the Driver Front Mounting Bracket (DFM). Bolt the Driver Front Mounting Bracket to the vehicle with (1) M10 Plastic Washer, (1) M10 Large Flat Washer, (1) M10 Lock Washer and (1) M10 Hex Nut, (Fig 4). Do not fully tighten hardware at this time.



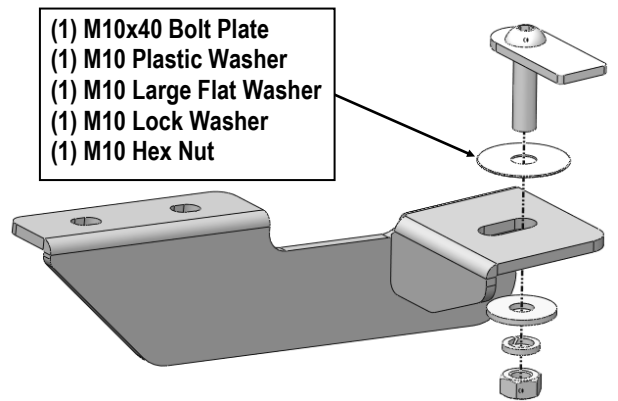
(Fig 3) Driver Side Front Mounting Location



(Fig 4) Driver Front Mounting Bracket Installation

STEP 3

Move to the rear mounting location. Repeat **Steps 1 – 2** for installing Driver Rear Mounting Bracket (DRM), (Fig 5). Do not fully tighten hardware at this time.



(Fig 5) Driver Front Mounting Bracket Installation



STEP 4

Once all (2) Driver side mounting brackets are installed, then proceed to the Step Bar installation. (Figs 6 & 7)

- (1) Select (1) Slider and (2) M8X1.25-35mm Carriage Bolts;
- (2) Install (2) M8X1.25-35mm Carriage Bolts in (1) Slider.
- (3) Slide the Slider (with carriage bolts) to the **Step Bar**.
- (4) Repeat to install the other (1) slider to the step bar.
- (5) Attach the Step Bar (with the Sliders) onto the installed mounting brackets. Position the Sliders to the installed brackets. Secure the Step Bar to the installed Brackets by using (4) M8 Large Flat Washers and (4) M8 Nylon Lock Nuts and (2) Sliders, (Fig 7). Do not fully tighten hardware at this time.

Note: The Sliders are packed with the Step Bars.

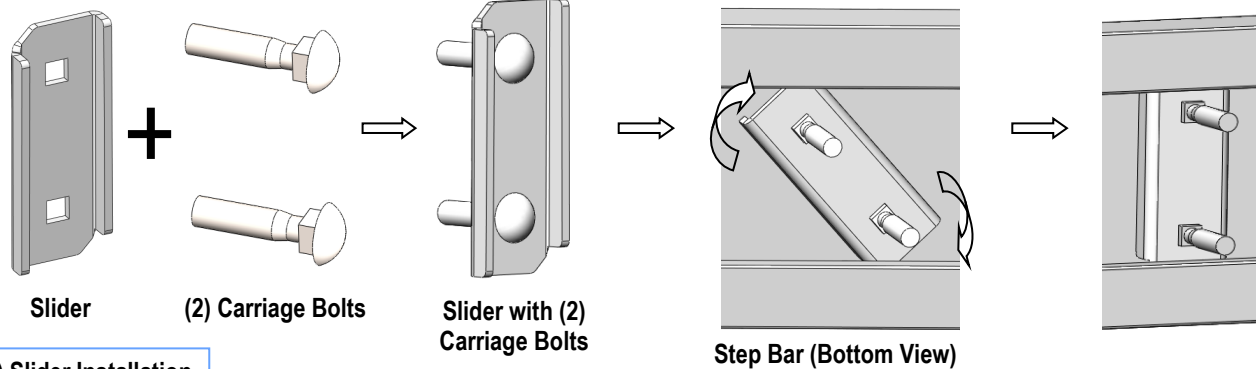
Level and adjust the Step Bar and fully tighten all hardware.

Repeat **Steps 1-4** for the other side Step Bar installation. **The installation is completed!!!**

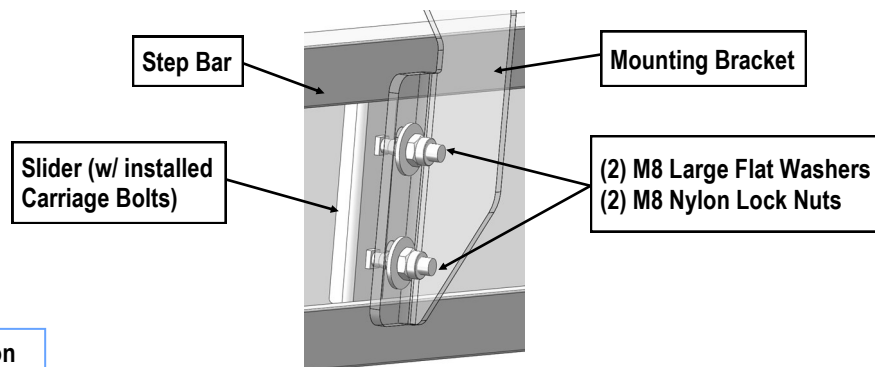
Attention

Do periodic inspections to the installation to make sure that all hardware is secure and tight.

In order to protect your bars/boards, please use mild soap/non-abrasive products for cleaning only.



(Fig 6) Slider Installation



(Fig 7) Step Bar Installation