

# iBoard®

## iBoard® by APS

PART#: IB-112

READ INSTRUCTIONS CAREFULLY BEFORE STARTING INSTALLATION. REMOVE CONTENTS FROM BOX AND VERIFY ALL PARTS ARE PRESENT. ASSISTANCE IS RECOMMENDED.

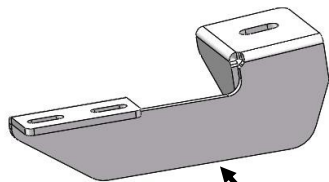
\*BODY FRAME MOUNT  
\*NO DRILLING REQUIRED

Fastener Size	Tightening Torque (ft-lbs)	Required
6mm	6-7	√
8mm	16-18	X
10mm	31-32	√
12mm	56-58	X
14mm	92-94	X

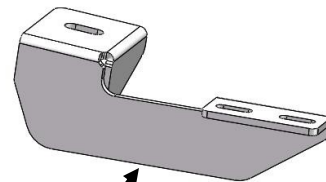
### PART LIST



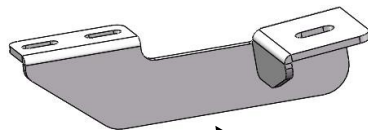
Front  
↑



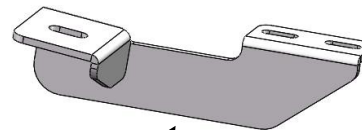
Driver Front Mounting Bracket (DFM)



Passenger Front Mounting Bracket (PFM)



Driver Rear Mounting Bracket (DRM)



Passenger Rear Mounting Bracket (PRM)



Customer Support: [info@iboardauto.com](mailto:info@iboardauto.com)

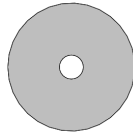
# iBoard®

## Hardware Package A (For Bracket Installation)



X4

M10X40 Bolt Plate



X4

M10 Plastic Washer



X4

M10 Large Flat Washer



X4

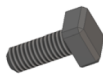
M10 Lock Washer



X4

M10 Hex Nut

## Hardware Package B (For Aluminum Step Bar Installation Only, Not Supply to Stainless Steel Step Bar)



X8

M6X1-20mm Square Head Bolt



X8

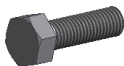
M6 Large Flat Washer



X8

M6 Nylon Lock Nut

## Hardware Package C (For Stainless Steel Step Bar Installation Only, Not Supply to Aluminum Step Bar)



X8

M6X1-20mm Hex Bolt



X8

M6 Lock Washer



X8

M6 Flat Washer

## STEP 1

Start installation from the driver side front of the vehicle. Remove the plastic plug in the center of the jack pad. **NOTE:** Depending on the year and model of vehicle, either unscrew the plug, (Fig 1), or pry the plug out of the center of the jack pad, (Fig 2). Once the plug has been removed, remove the jack pad, (Fig 2).

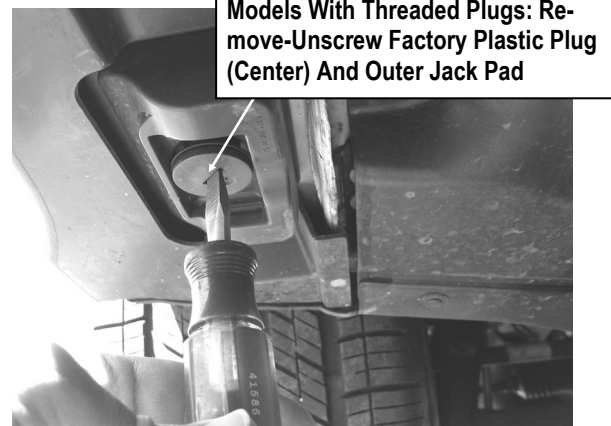


Fig 1

# iBoard®



Or Use A Small Screwdriver To Pry Up The Push In Factory Plastic Plug (Center) And Outer Jack Pad

Fig 2

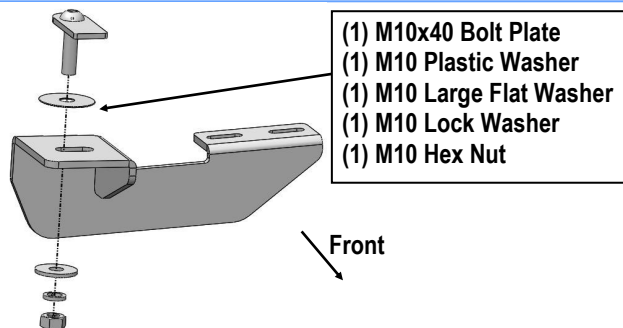
## STEP 2

Insert (1) M10x40 Bolt Plate into the factory hole once the jack pad has been removed, (Fig 3).

Select the Driver Front Mounting Bracket (DFM). Bolt the Driver Front Mounting Bracket to the vehicle with (1) M10 Plastic Washer, (1) M10 Large Flat Washer, (1) M10 Lock Washer and (1) M10 Hex Nut, (Fig 4). Do not fully tighten hardware at this time.



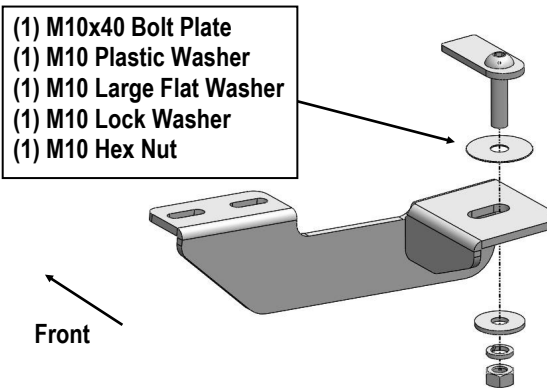
(Fig 3) Driver Side Front Mounting Location



(Fig 4) Driver Front Mounting Bracket Installation

## STEP 3

Move to the rear mounting location. Repeat **Steps 1 – 2** for installing Driver Rear Mounting Bracket (DRM), (Fig 5). Do not fully tighten hardware at this time.



(Fig 5) Driver Front Mounting Bracket Installation

## STEP 4

Once all (2) mounting brackets are installed, then proceed to the Step Bar installation. According to the style of Step Bar proceed to the correct installation STEPS.

**Note:** Aluminum Step Bar refer to STEP 5; Stainless Steel Step Bar skip to STEP 6.

# iBoard®

## STEP 5

### Aluminum Step Bar Installation:

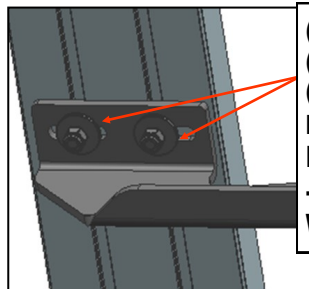
Select a **Aluminum Step Bar**. Slip (2) M6x1-20mm Square Head Bolts into each bottom channel (**Fig 6**). Carefully position the Step Bar onto the (2) Mounting Brackets.

**IMPORTANT:** Do not slide the Step Bar on the Brackets or the bottom surface of the board will be damaged. Attach the Step Bar to each Mounting Brackets with (2) M6x1-20mm Square Head Bolts, (2) M6 Large Flat Washers and (2) M6 Nylon Lock Nuts, (**Fig 7**). Do not fully tighten at this time.

Level and adjust the Step Bar and fully tighten all hardware. Repeat **Steps 1-5** for the other side Step Bar installation. **The installation is completed!!!**



(Fig 6) Slip M6X1-20mm Square Head Bolts Into The Bottom Channels



(2) M6X1-20mm Square Head Bolts  
(2) M6 Large Flat Washers  
(2) M6 Nylon Lock Nuts  
**IMPORTANT: TORQUE FOR 6MM FASTNERS MUST LESS THAN 6-7 FT-LBS OR THE FASTNERS WILL BE DAMAGED!**

(Fig 7) Running Board Installed Onto Mounting Bracket

## STEP 6

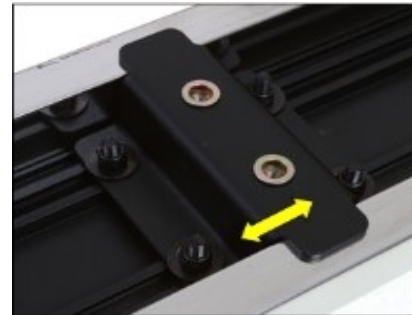
### Stainless Steel Step Bar Installation:

Select a **Stainless Steel Step Bar** (with the U-Sliders installed on the Bar). Loose the U-Sliders, reposition the U-Sliders onto the board according to the (2) Installed Mounting Brackets location, (**Fig 8**). Re-secure the U-Sliders on the Step Bar. Attach the Step Bar to the installed Mounting Brackets with (4) M6X1-20mm Hex Bolts, (4) M6 Large Flat Washers & (4) M6 Lock Washers, (**Fig 9**). Do not fully tighten hardware at this time.

Level and adjust the Step Bar and fully tighten all hardware.

Repeat **Steps 1-4 and 6** for the other side Step Bar installation.

**The installation is completed!!!**



(Fig 8) Slide & line up the U-Slider with the installed mounting brackets along bottom channel

(2) M6X1-20mm Hex Bolts  
(2) M6 Large Flat Washers  
(2) M6 Lock Washers  
**IMPORTANT: TORQUE FOR 6MM FASTNERS MUST LESS THAN 6-7 FT-LBS OR THE FASTNERS WILL BE DAMAGED!**



(Fig 9) Step Bar Installed on Bracket Installed (Example)

### Attention

Do periodic inspections to the installation to make sure that all hardware is secure and tight. In order to protect your bars/boards, please use only mild soap/non-abrasive products for cleaning.