

# iBoard®

## iBoard® by APS

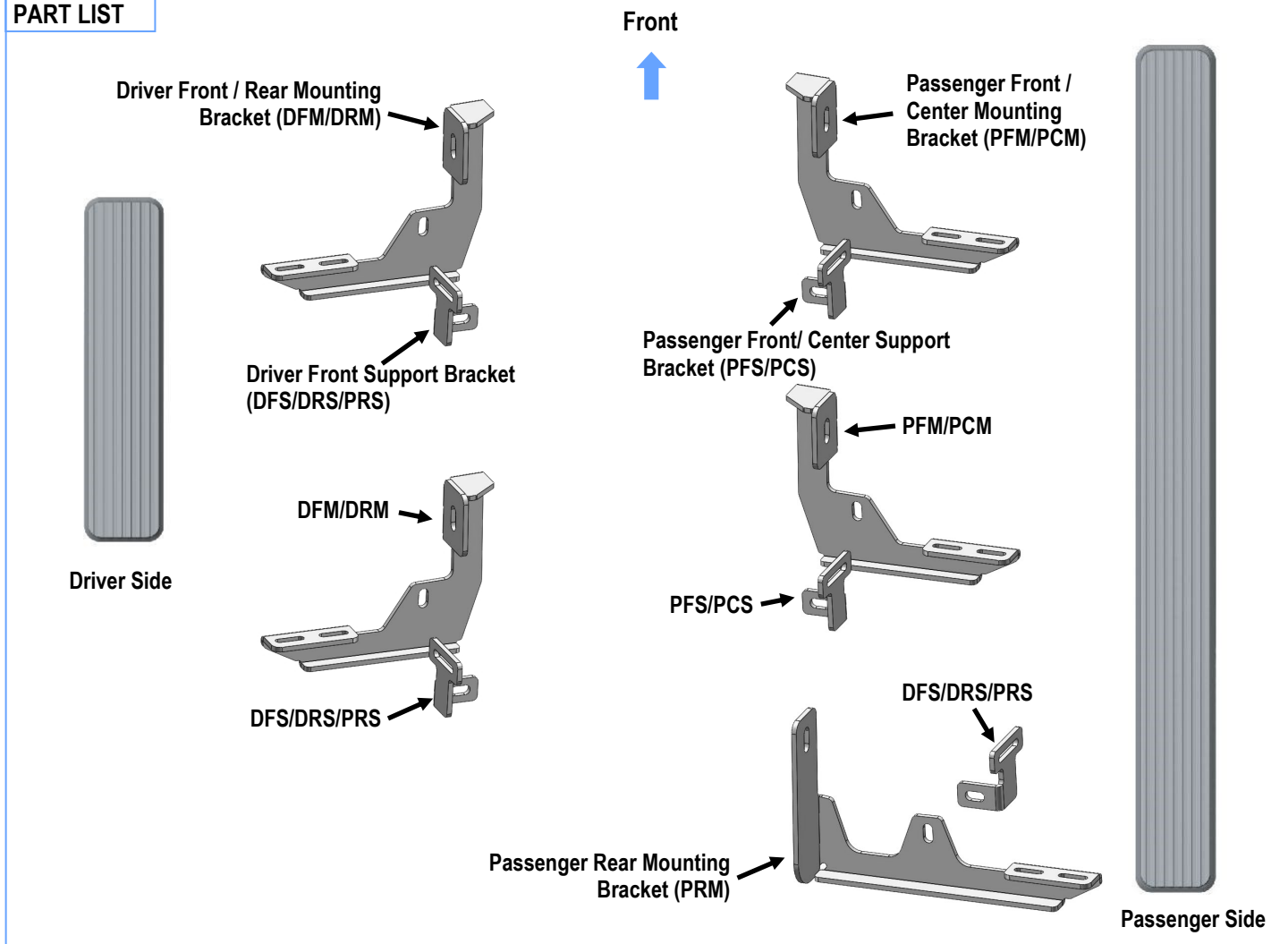
PART#: IB-406&416

READ INSTRUCTIONS CAREFULLY BEFORE STARTING INSTALLATION. REMOVE CONTENTS FROM BOX AND VERIFY ALL PARTS ARE PRESENT. ASSISTANCE IS RECOMMENDED.

\*ROCKER PANEL MOUNT  
\*DRILLING IS REQUIRED

Fastener Size	Tightening Torque (ft-lbs)	Required
6mm	6-7	√
8mm	16-18	√
10mm	31-32	√
12mm	56-58	X
14mm	92-94	X

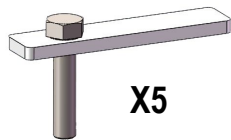
### PART LIST



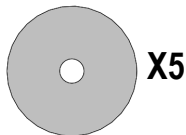
Customer Support: [info@iboardauto.com](mailto:info@iboardauto.com)

# iBoard®

## Hardware Package A (For Bracket Installation)



M10 Bolt Plate



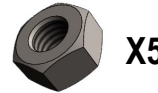
M10 Plastic Washer



M10 Flat Washer



M10 Lock Washer



M10 Hex Nut



M8X1.25-25mm Hex Bolt



M8 Flat Washer



M8 Lock Washer



M8 Hex Nut



M6X1-25mm Hex Bolt



M6 Large Flat Washer



M6 Lock Washer



M6 Hex Nut

## Hardware Package B (For Aluminum Step Bar Installation Only, Not Supply to Stainless Steel Step Bar)



M6X1-20mm Square Head Bolt



M6 Large Flat Washer



M6 Nylon Lock Nut

## Hardware Package C (For Stainless Steel Step Bar Installation Only, Not Supply to Aluminum Step Bar)



M6X1-20mm Hex Bolt



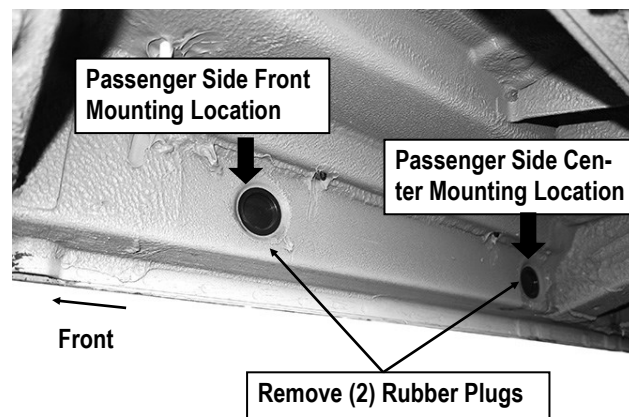
M6 Lock Washer



M6 Flat Washer

## STEP 1

Starting on the passenger front side of the vehicle, locate the factory holes in the inner body panel closest to the front tire opening, (Fig 1). Remove the rubber plugs. **NOTE:** Mounting locations may be covered with heavy undercoating.



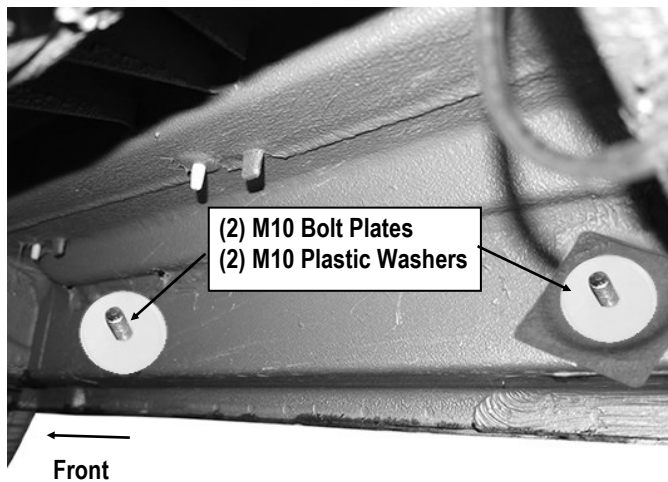
(Fig 1) Passenger Side Front & Center Mounting Locations

# iBoard®

## STEP 2

Select (2) M10 Bolt Plate and (2) M10 Plastic Washer. Insert the M10 Bolt Plates into the mounting holes and thread (1) M10 Plastic Washer on each Bolt Plate to hold the bolt plates in place, **(Fig 2)**.

**IMPORTANT:** The Plastic Washer is designed to prevent the Bolt Plate from falling into the body panel and to aid in Bracket installation.



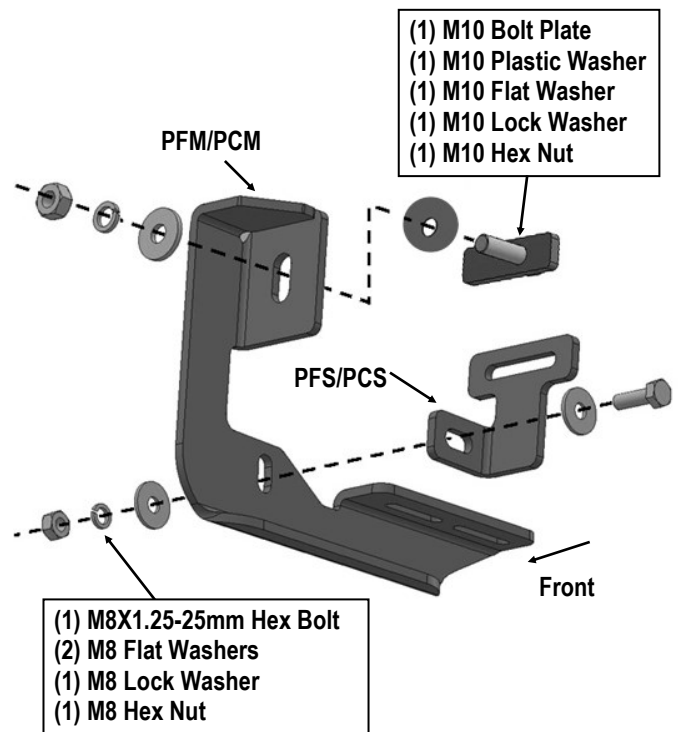
**(Fig 2) M10 Bolt Plate Installed**  
(On Passenger Side Front & Center Mounting Location)

## STEP 3

Attach the Passenger Front Mounting Bracket (**PFM/PCM**) to the installed M10 Bolt Plate with (1) M10 Flat Washer, (1) M10 Lock Washer and (1) M10 Hex Nut, **(Fig 3)**. Do not fully tighten hardware at this time.

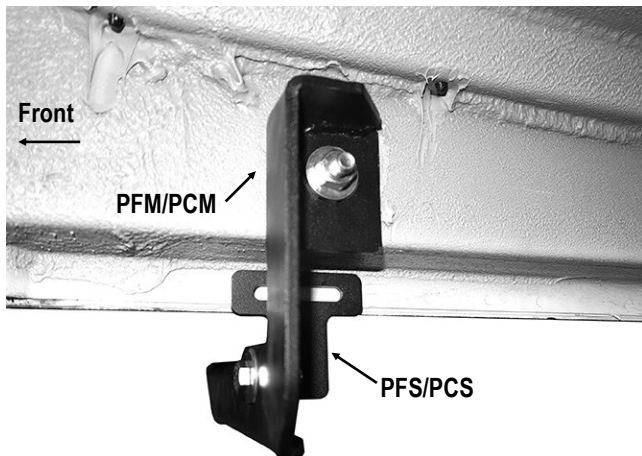
## STEP 4

Next, select (1) Passenger Front Support Bracket (**PFS/PCS**). Attach the Support Bracket to the back of the Passenger Front Mounting Bracket (**PFM/PCM**) with (1) M8X1.25-25mm Hex Bolt, (2) M8 Flat Washers, (1) M8 Lock washer and (1) M8 Hex Nuts, **(Fig 3)**. Line up the mounting flange on the Support Bracket with the **back** of the pinch weld, **(Fig 4)**. Do not fully tighten hardware at this time.



**(Fig 3) Passenger Front Mounting Bracket (PFM/PCM) and Passenger Front Support Bracket (PFS/PCS) Installation**

# iBoard®



(Fig 4) Passenger Front Brackets Installed

## STEP 5

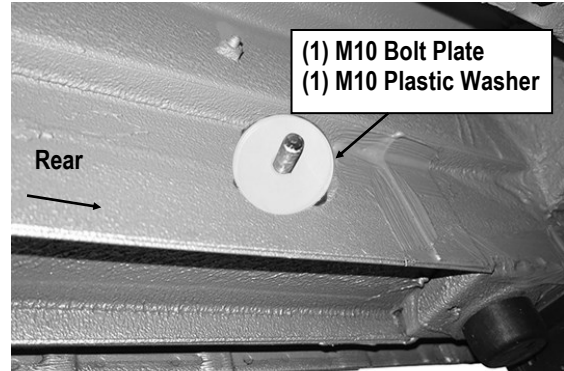
Move to the passenger side center mounting location. Repeat **Steps 1—4** to install the Passenger Center Mounting Bracket (**PFM/PCM**) and Passenger Center Support Bracket (**PFS/PCS**).

**Note:** Passenger Front & Center Mounting Bracket (**PFM/PCM**) are universal; Passenger Front & Center Support Bracket (**PFS/PCS**) are universal.

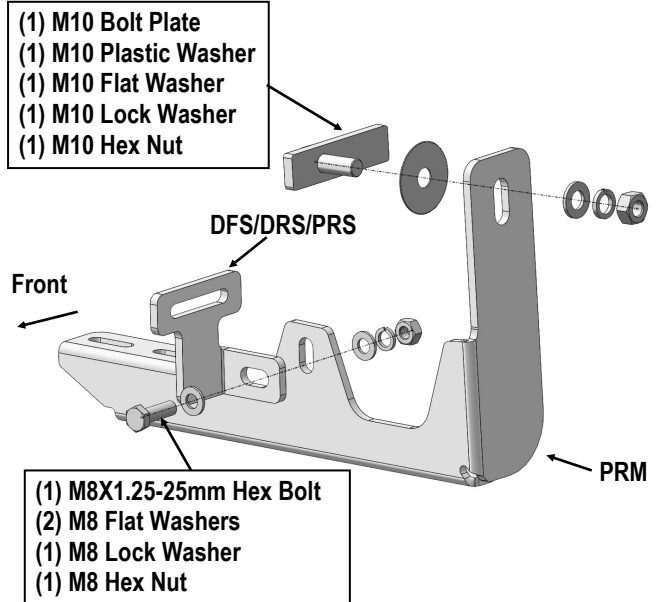
## STEP 6

Move to the passenger side rear mounting location, (**Fig 5**). Repeat **Steps 1—4** to install the Passenger Rear Mounting Bracket (**PRM**) and Passenger Rear Support Bracket (**DFS/DRS/PRS**), (**Fig 6 & 7**).

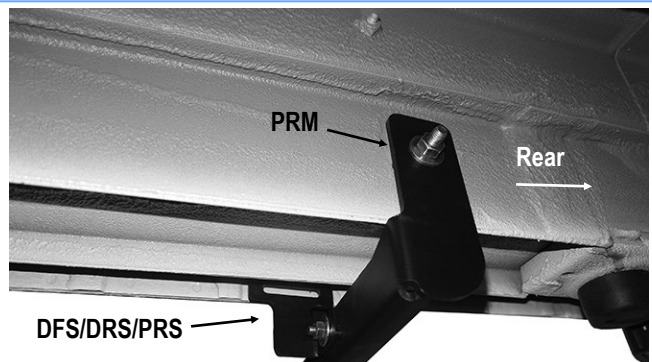
**Note:** Passenger Rear Support Bracket, Driver Front Support Bracket and Driver Center Support Bracket are universal.



(Fig 5) Passenger Side Rear Mounting Location



(Fig 6) Passenger Rear Mounting Bracket (PRM) and Passenger Rear Support Bracket (DFS/DRS/PRS) Installation



(Fig 7) Passenger Rear Bracket Installed

# iBoard®

## STEP 7

Once all (3) mounting brackets are installed, then proceed to the Step Bar installation. According to the style of Step Bar proceed to the correct installation STEPS.

**Note:** Aluminum Step Bar refer to STEP 8; Stainless Steel Step Bar skip to STEP 9.

## STEP 8

### Aluminum Step Bar Installation:

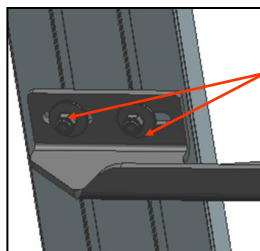
Select a **Aluminum Step Bar**. Slip (3) M6x1-20mm Square Head Bolts into each bottom channel (Fig 8). Carefully position the Step Bar onto the (3) Mounting Brackets.

**IMPORTANT:** Do not slide the Step Bar on the Brackets or the bottom surface of the board will be damaged. Attach the Step Bar to each Mounting Brackets with (2) M6x1-20mm Square Head Bolts, (2) M6 Large Flat Washers and (2) M6 Nylon Lock Nuts, (Fig 9). Do not fully tighten at this time.

Level and adjust the Step Bar and fully tighten all hardware. Repeat **Steps 1-8** for the other side Step Bar installation.



(Fig 8) Slip M6X1-20mm Square Head Bolts Into The Bottom Channels



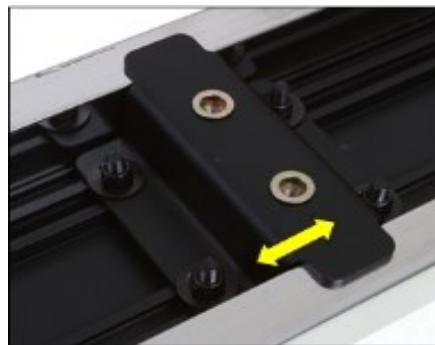
(2) M6X1-20mm Square Head Bolts  
(2) M6 Large Flat Washers  
(2) M6 Nylon Lock Nuts  
**IMPORTANT: TORQUE FOR 6MM FASTNERS MUST LESS THAN 6-7 FT-LBS OR THE FASTNERS WILL BE DAMAGED!**

(Fig 9) Running Board Installed Onto Mounting Bracket

## STEP 9

### Stainless Steel Step Bar Installation:

Select a **Stainless Steel Step Bar** (with the U-Sliders installed on the Bar). Loose the U-Sliders, reposition the U-Sliders onto the board according to the (3) Installed Mounting Brackets location, (Fig 10). Re-secure the U-Sliders on the Step Bar. Attach the Step Bar to the installed Mounting Brackets with (6) M6X1-20mm Hex Bolts, (6) M6 Large Flat Washers & (6) M6 Lock Washers, (Fig 11). Do not fully tighten hardware at this time. Level and adjust the Step Bar and fully tighten all hardware. Repeat **Steps 1-7 and 9** for the other side Step Bar installation.



(Fig 10) Slide & line up the U-Slider with the installed mounting brackets along bottom channel

(2) M6X1-20mm Hex Bolts  
(2) M6 Large Flat Washers  
(2) M6 Lock Washers

**IMPORTANT: TORQUE FOR 6MM FASTNERS MUST LESS THAN 6-7 FT-LBS OR THE FASTNERS WILL BE DAMAGED!**



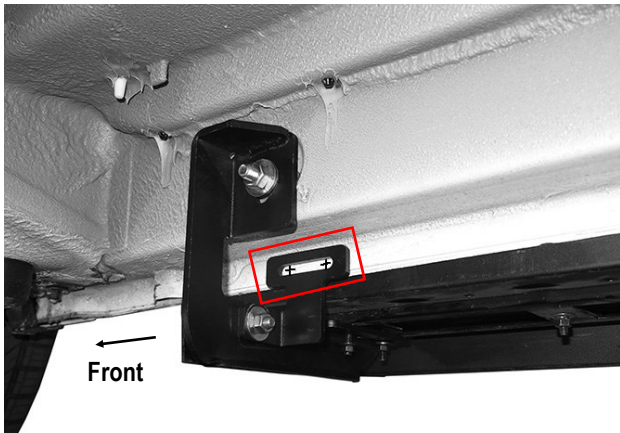
(Fig 11) Step Bar Installed on Bracket Installed (Example)

# iBoard®

## STEP 10

Make sure the Brackets are level to the vehicle. Line up the slots on each Support Bracket with the back of the pinch weld. Mark the location of the slots onto the pinch weld, (Fig 12). **IMPORTANT:** Do not drill too close to the bottom edge of the pinch weld. Adjust Support Brackets and/or Mounting Brackets to move slot in support bracket up away from the bottom edge of the pinch weld.

Once the Running Board and Brackets are properly adjusted and slot locations marked, remove the Running Board and Support Brackets. Use a 1/4" drill bit to drill the (2) holes through the pinch weld for each Support Bracket, (Fig 12). **NOTE:** Drill holes toward outer ends of slot. Avoid drilling through welds in pinch weld.

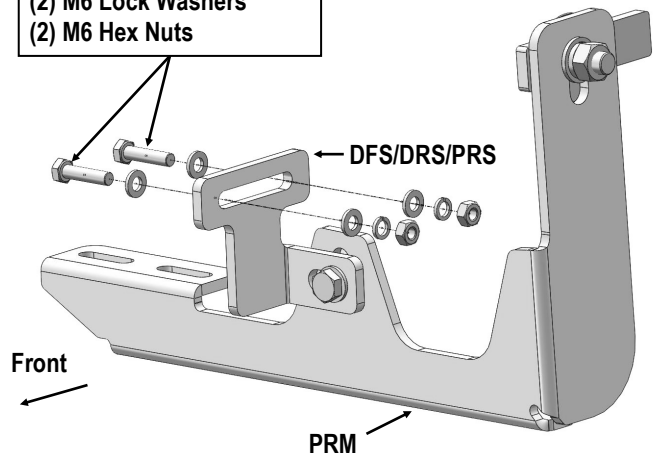


(Fig 12) Mark location of each Support Bracket onto pinch weld before drilling

## STEP 11

Attach each Support Bracket to the pinch weld with (2) M6X1-25mm Hex Bolts, (4) M6 Large Flat Washers, (2) M6 Lock Washers and (2) M6 Hex Nuts, (Fig 13). Repeat this Step to attach all (3) Support Brackets. Tighten the hardware attaching the Support Brackets to the vehicle only.

- (2) M6X1-25mm Hex Bolts
- (4) M6 Large Flat Washers
- (2) M6 Lock Washers
- (2) M6 Hex Nuts

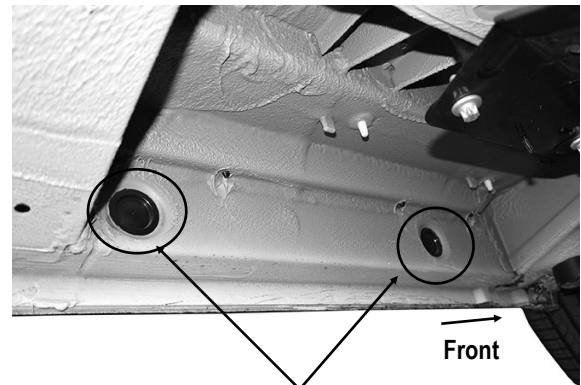


(Fig 13) Attach Support Bracket To Pinch Weld

## STEP 12

Move to the Driver side of the vehicle (Fig 14). Repeat Steps 1-4 to install the driver side front and rear Mounting Brackets and Support Brackets, (Fig 15). Do not fully tighten hardware at this time.

**Note:** Driver Front & Rear Mounting Bracket (DFM/DRM) are universal; Passenger Rear Support Bracket, Driver Front Support Bracket and Driver Center Support Bracket are universal.

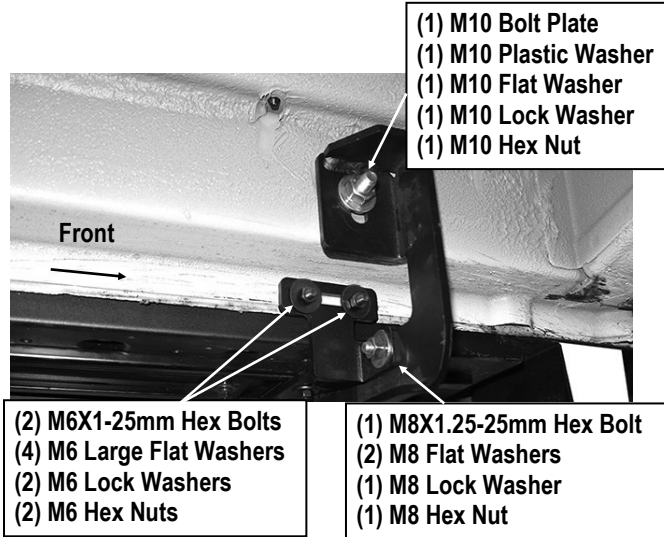


(Fig 14) Driver Side Front and Rear Mounting Locations

# iBoard®

## STEP 13

Repeat **Steps 7—11** to drill holes on the pinch weld and install the support brackets, (**Fig 15**), and install the Driver Side Running Board (the short one).



(Fig 15) Driver Side Front Bracket Installation

## STEP 14

Level and adjust the Running Board and fully tighten all hardware.

**Installation completed.**

### Attention

Do periodic inspections to the installation to make sure that all hardware is secure and tight.

In order to protect your bars/boards, please use only mild soap/non-abrasive products for cleaning.