



iBoard® by APS

PART#: IB-058L C&H

READ INSTRUCTIONS CAREFULLY BEFORE STARTING INSTALLATION. REMOVE CONTENTS FROM BOX AND VERIFY ALL PARTS ARE PRESENT. ASSISTANCE IS RECOMMENDED.

*ROCKER PANEL MOUNT
*NO DRILLING REQUIRED

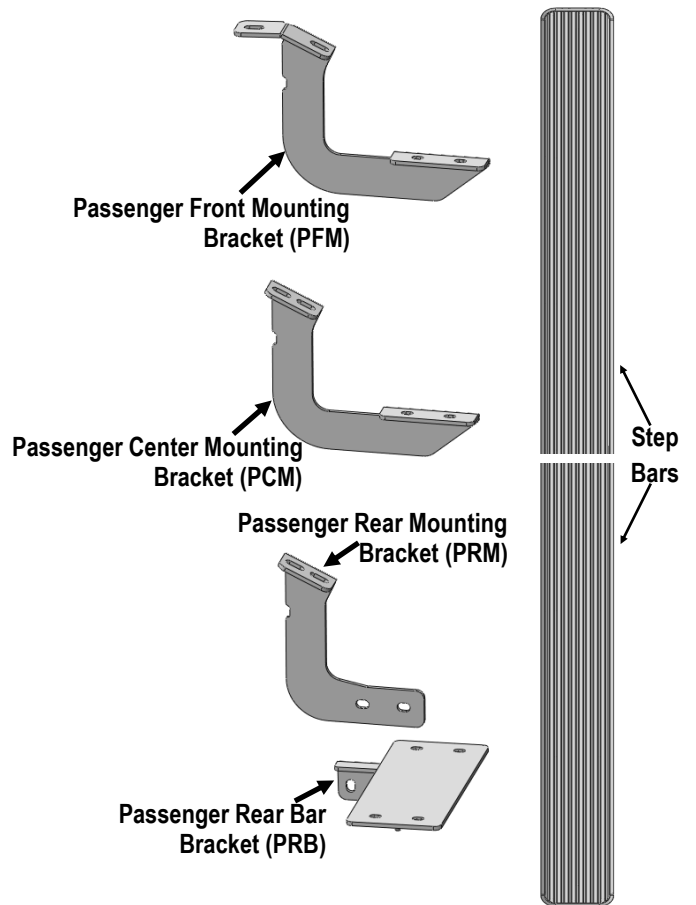
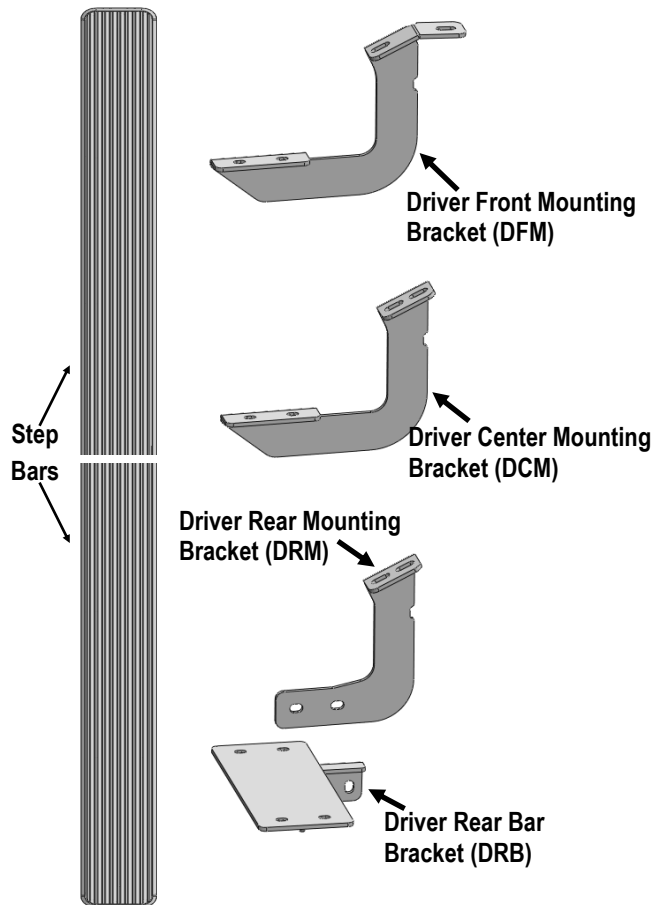
Fastener Size	Tightening Torque (ft-lbs)	Required
6mm	6-7	X
8mm	16-18	√
10mm	31-32	√
12mm	56-58	X
14mm	92-94	X

PART LIST

Driver Side Step Bar

Front
↑

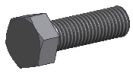
Passenger Side Step Bar





Hardware Package A (For Bracket Installation)

Item	QTY	Description	Item	QTY	Description
1#	12	M8X1.25-30mm Hex Bolts	5#	8	M10 Flat Washers
2#	12	M8 Large Flat Washers	6#	4	M10 Lock Washers
3#	12	M8 Lock Washers	7#	4	M10 Hex Nuts
4#	4	M10X1.5-30mm Hex Bolts			



1 #



2 #



3 #



4 #



5 #



6 #



7 #

Hardware Package B (For Stainless Steel Step Bar Installation)

Item	QTY	Description	Item	QTY	Description
1#	16	M8X1.25-35mm Carriage Bolts	3#	16	M8 Nylon Lock Nuts
2#	16	M8 Large Flat Washers	4#	8	Sliders (Packed with Step Bars)



1 #



2 #



3 #



4 #

Hardware Package C (For Stainless Steel Step Bar Assembly)

Item	QTY	Description	Item	QTY	Description
1#	8	Plastic Rivets	5#	4	M8 Hex Nuts
2#	12	M8X1.25-25mm Inner Hex Bolts	6#	2	Plastic Covers (Packed with Step Bars)
3#	16	M8 Flat Washers	7#	2	Back Plates (Packed with Step Bars)
4#	12	M8 Lock Washers			



1 #



2 #



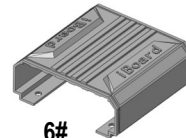
3 #



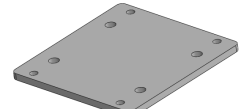
4 #



5 #



6 #



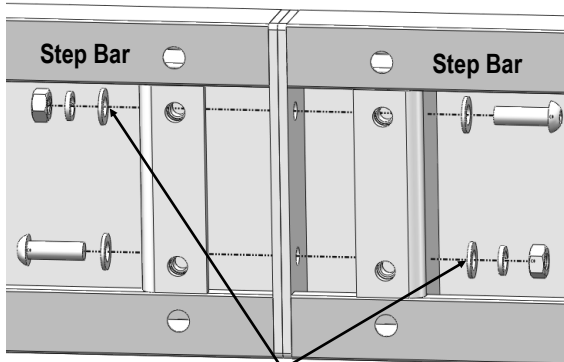
7 #



STEP 1

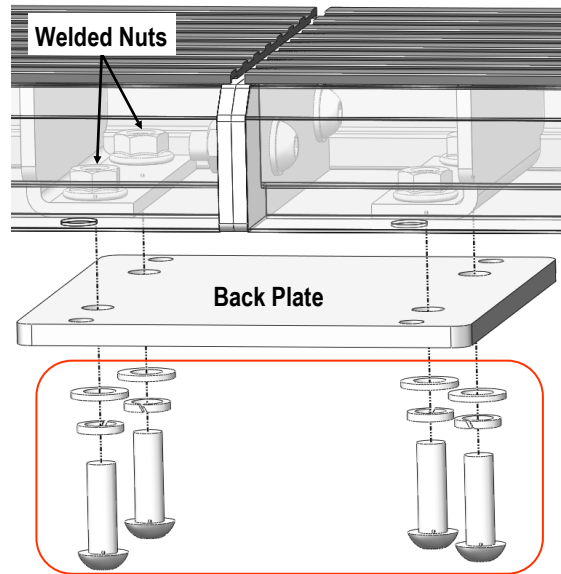
Step Bar Assembly:

1. Select and assemble (2) Step Bars with (2) M8X1.25-25mm Inner Hex Bolts, (4) M8 Flat Washers, (2) M8 Lock Washers and (2) M8 Hex Nuts, (**Fig 1**). **NOTE: (4) Step Bars are universal.**
2. Attach (1) Back Plate to the bottom of the installed (2) Step Bars with (4) M8X1.25-25mm Inner Hex Bolts, (4) M8 Flat Washers, (4) M8 Lock Washers, (**Fig 2**).
3. Install (1) Plastic Cover to cover the joint of (2) Step bars with (4) Plastic Rivets, (**Fig 3**).
4. Repeat to assemble the other (2) Step Bars.



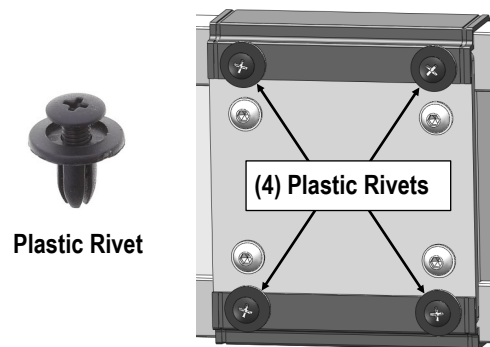
- (2) M8X1.25-25mm Inner Hex Bolts
- (4) M8 Flat Washers
- (2) M8 Lock Washers
- (2) M8 Hex Nuts

(Fig 1) Step Bars Assembly



- (4) M8X1.25-25mm Inner Hex Bolts
- (4) M8 Flat Washers
- (4) M8 Lock Washers

(Fig 2) Back Plate Installation



(Fig 3) Plastic Cover Installation
(Bottom View)

Assembled Step Bars





STEP 2

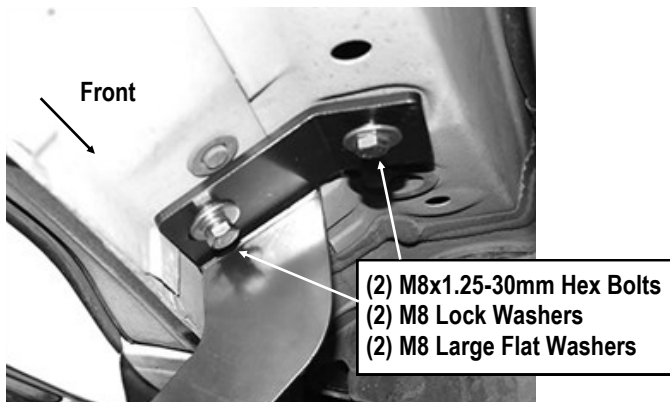
Start installation from the driver side front of the vehicle, remove the existing (2) factory bolts, (or plastic plugs) (**Fig 4**). This will be the mounting location for the Driver Front Mounting Bracket.



(Fig 4) Driver Side Front Mounting Location

STEP 3

Select the Driver Front Mounting Bracket (**DFM**), attach the Bracket to the vehicle using the included (2) M8x1.25-30mm Hex Bolts, (2) M8 Lock Washers and (2) M8 Large Flat Washers, (**Fig 5**). Do not fully tighten hardware at this time.



(Fig 5) Driver Front Mounting Bracket Installed

STEP 4

Move along the side panel to the Driver Side Center Mounting Locations, (**Fig 6**). Repeat **Steps 2 & 3** to install the Driver Center Mounting Bracket (**DCM**), (**Fig 7**). Do not fully tighten hardware at this time.



(Fig 6) Example Of Driver Side Center & Rear Mounting Location

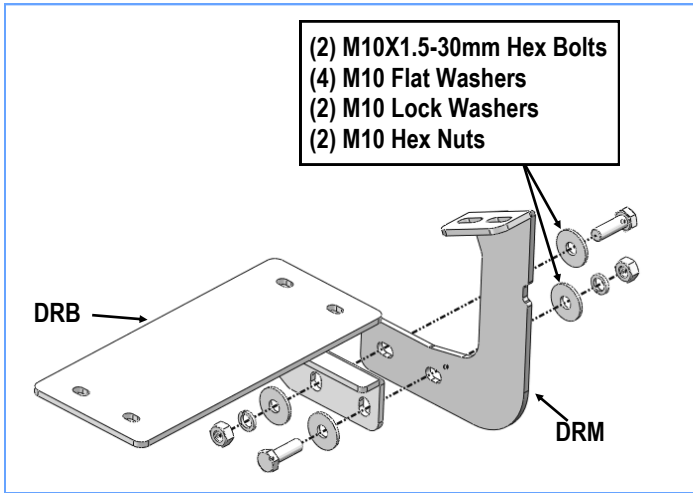
(2) M8x1.25-30mm Hex Bolts
(2) M8 Lock Washers
(2) M8 Large Flat Washers



(Fig 7) Driver Center Mounting Bracket Installed

STEP 5

Assemble (1) Driver Rear Mounting Bracket (**DRM**) and (1) Driver Rear Bar Bracket (**DRB**) with (2) M10X1.5-30mm Hex Bolts, (2) M10 Lock Washers, (4) M10 Flat Washers and (2) M10 Hex Nuts, (**Fig 8**). Do not fully tighten hardware at this time.



(Fig 8) Driver Rear Brackets Assembly

Attention

Do periodic inspections to the installation to make sure that all hardware is secure and tight.

In order to protect your bars/boards, please use mild soap/non-abrasive products for cleaning only.

STEP 6

Next, move to the driver side rear mounting location at the back of the cab. Repeat **Steps 2 & 3** to install the assembled driver rear bracket. Do not fully tighten hardware at this time.

STEP 7

Once all (3) Driver side mounting brackets are installed, then proceed to the Step Bar installation. (Figs 9 & 10)

- (1) Select (1) Slider and (2) M8X1.25-35mm Carriage Bolts;
- (2) Install (2) M8X1.25-35mm Carriage Bolts in (1) Slider.
- (3) Slide the Slider (with carriage bolts) to the **Step Bar**.
- (4) Repeat to install the other (2) sliders to the step bar.
- (5) Attach the Step Bar (with the Sliders) onto the installed mounting brackets. Position the Sliders to the installed brackets. Secure the Step Bar to the installed Brackets by using (8) M8 Large Flat Washers and (8) M8 Nylon Lock Nuts and (4) Sliders, (Fig 10). Do not fully tighten hardware at this time.

Note: The Sliders are packed with the Step Bars.

Level and adjust the Step Bar and fully tighten all hardware.

Repeat **Steps 2-7** for the other side Step Bar installation. **The installation is completed!!!**

