

# iBoard<sup>®</sup>

## iBoard<sup>®</sup> by APS

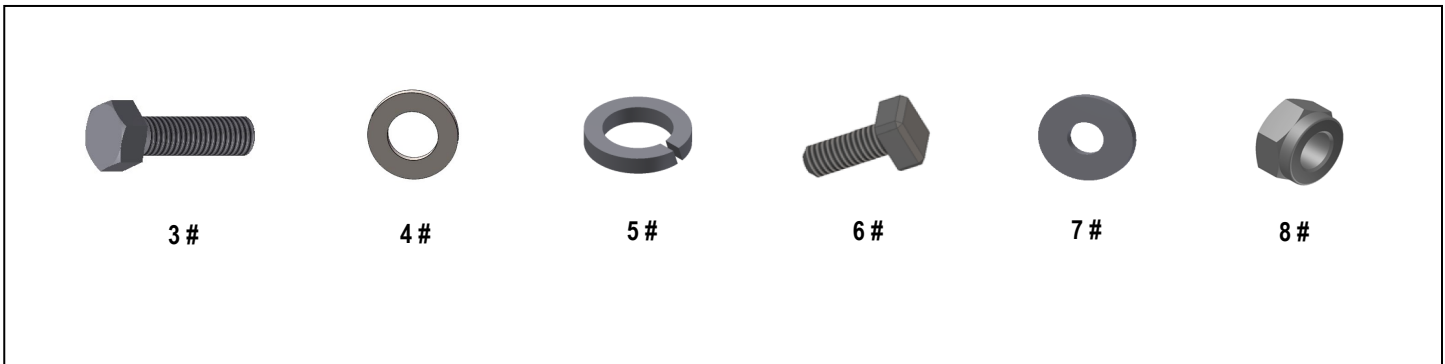
PART#: IB-R097/R098

READ INSTRUCTIONS CAREFULLY BEFORE STARTING INSTALLATION. REMOVE CONTENTS FROM BOX AND VERIFY ALL PARTS ARE PRESENT. ASSISTANCE IS RECOMMENDED.

\*ROCKER PANEL MOUNT  
\*NO DRILLING REQUIRED

Fastener Size	Tightening Torque (ft-lbs)	Required
6mm	6-7	√
8mm	16-18	√
10mm	31-32	X
12mm	56-58	X
14mm	92-94	X

Item	QTY	Description	Item	QTY	Description
1#	2	Driver/Passenger Front Mounting Brackets	5#	16	M8 Lock Washers
2#	6	Mounting Brackets	6#	16	M6X1-20mm Square Head Bolts
3#	16	M8X1.25-30mm Hex Bolts	7#	16	M6 Large Flat Washers
4#	16	M8 Flat Washers	8#	16	M6X1 Nylon Lock Nuts



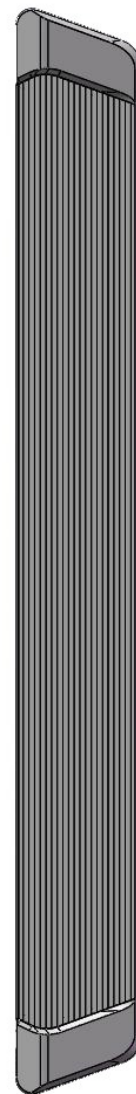
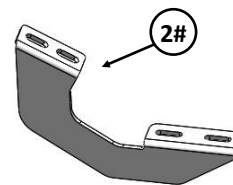
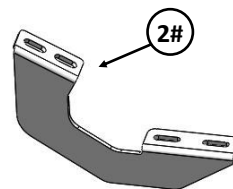
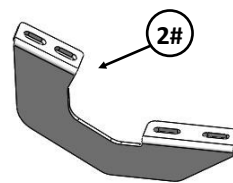
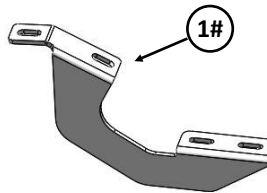
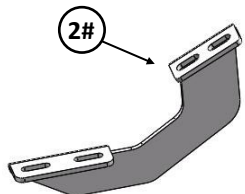
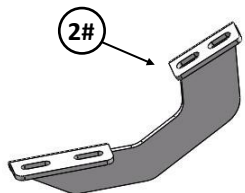
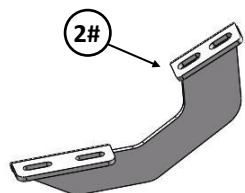
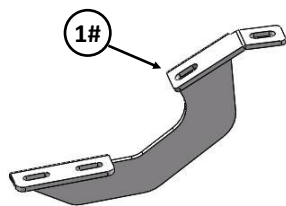
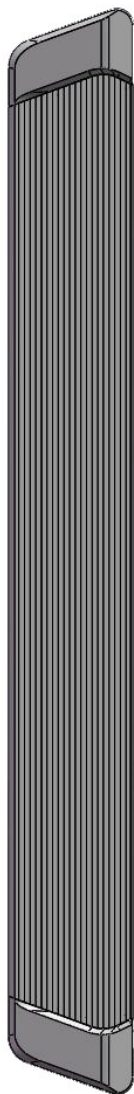
# iBoard®

Driver

Front



Passenger



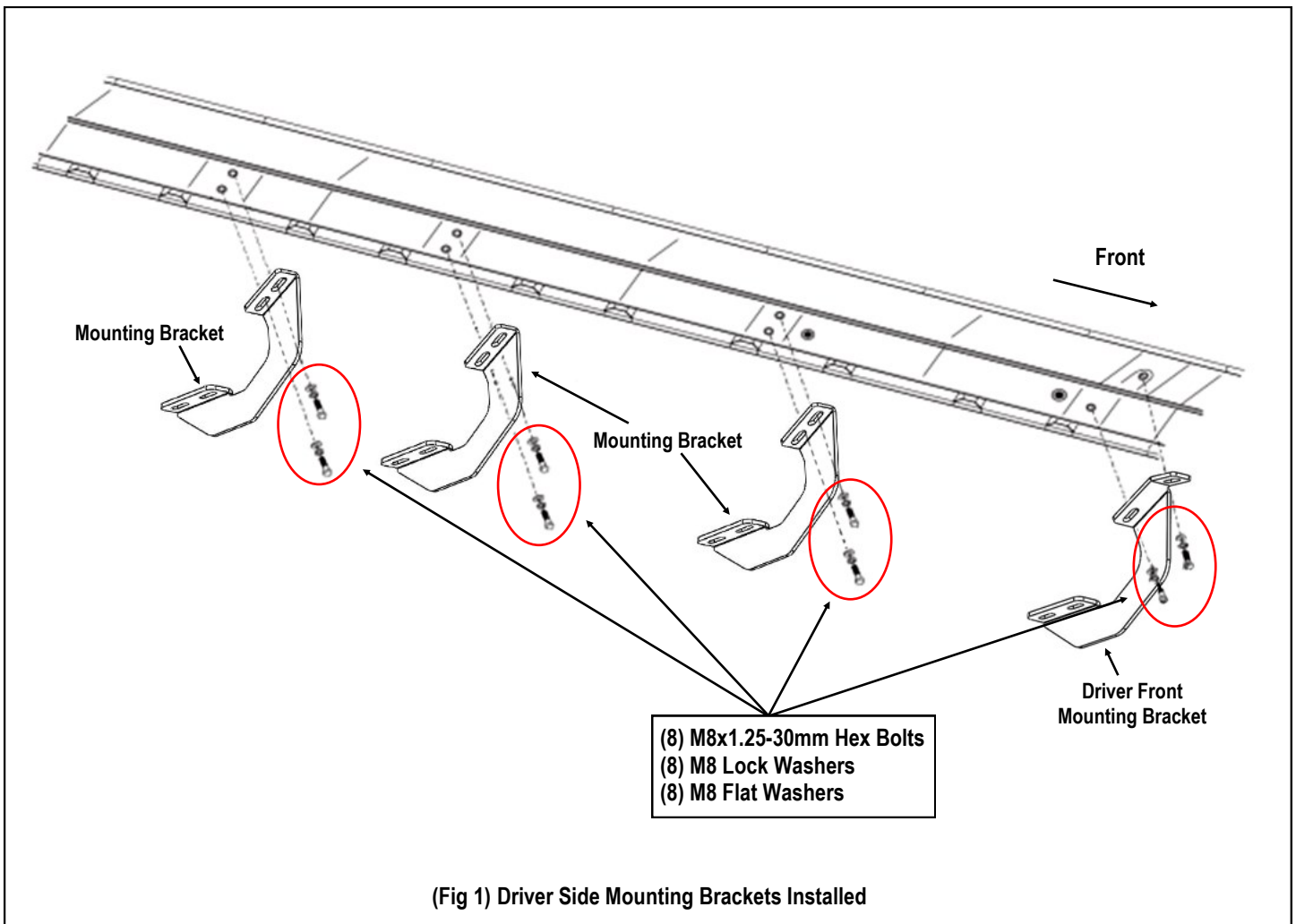
# iBoard®

## STEP 1

Start installation from the driver side of the vehicle. Select the Driver Front Mounting Bracket. Attach the Bracket to the vehicle using the included (2) M8x1.25-30mm Hex Bolts, (2) M8 Lock Washers and (2) M8 Flat Washers, (Fig 1). Do not fully tighten hardware at this time.

## STEP 2

Move to the driver side center, center 1 and rear mounting locations. Repeat **Step 1** to install the Driver Center & Center 1 & Rear Mounting Brackets, (Fig 1).



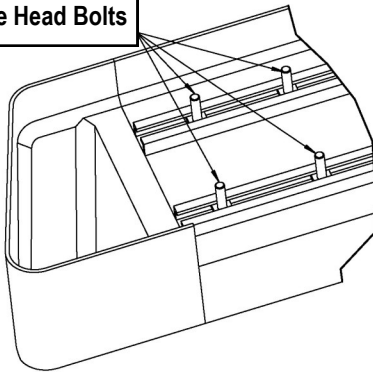
# iBoard®

## STEP 3

Select a Running Board. Slip (4) M6x1-20mm Square Head Bolts into each bottom channel (**Fig 2**). Carefully position the Running Board onto the (4) Mounting Brackets.

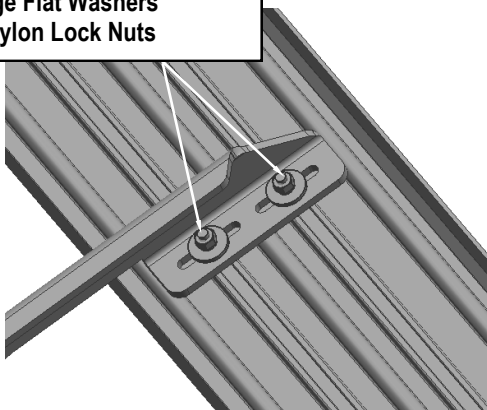
**IMPORTANT:** Do not slide the Running Board on the Brackets or the bottom surface of the board will be damaged. Attach the Running Board to each Mounting Bracket with (2) M6x1-20mm Square Head Bolts, (2) M6 Large Flat Washers and (2) M6 X1 Nylon Lock Nuts (**Fig 3**). Do not fully tighten at this time.

M6X1-20mm Square Head Bolts



(Fig 2) Slip M6X1-20mm Square Head Bolts Into The Bottom Channels

(2) M6X1-20mm Square Head Bolts  
(2) M6 Large Flat Washers  
(2) M6X1 Nylon Lock Nuts



(Fig 3) Running Board Installed Onto Mounting Bracket

## STEP 4

Level and adjust the Running Board and fully tighten all hardware.

**Important:** Please follow the recommended Tightening Torques shown in the table on page 1. Don't over tighten, or the nuts/bolts will be damaged.

## STEP 5

Repeat **Steps 1-4** for the other side Running Board installation. The installation is completed .

### Attention

Do periodic inspections to the installation to make sure that all hardware is secure and tight.

In order to protect your bars/boards, please use only mild soap/non-abrasive products for cleaning.