

# iBoard®

## iBoard® by APS

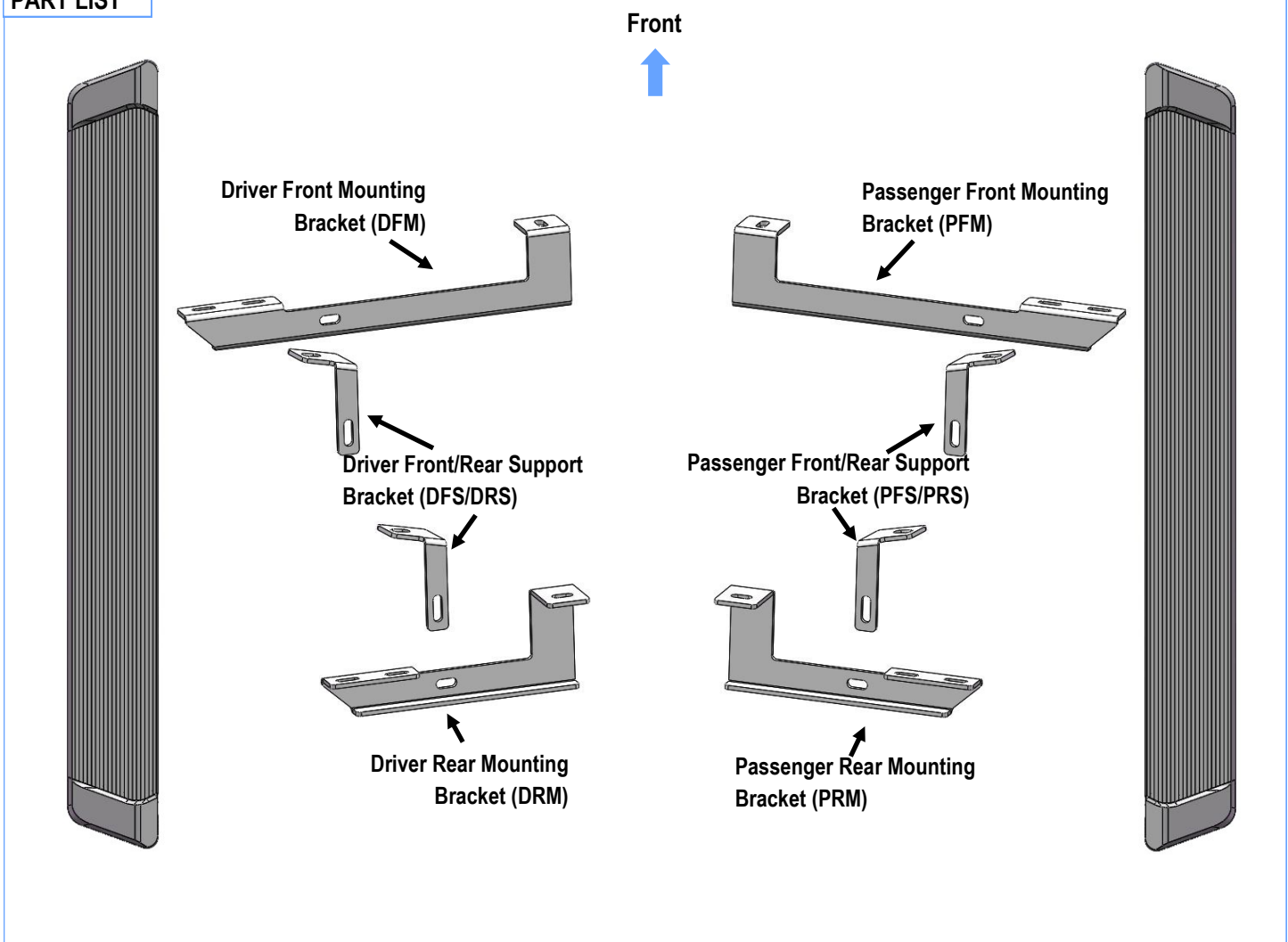
PART#: IB-R935A\_B

READ INSTRUCTIONS CAREFULLY BEFORE STARTING INSTALLATION. REMOVE CONTENTS FROM BOX AND VERIFY ALL PARTS ARE PRESENT. ASSISTANCE IS RECOMMENDED.

\*ROCKER PANEL MOUNT  
\*NO DRILLING REQUIRED

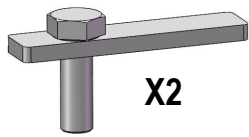
| Fastener Size | Tightening Torque (ft-lbs) |
|---------------|----------------------------|
| 6mm           | 6-7                        |
| 8mm           | 16-18                      |
| 10mm          | 31-32                      |
| 12mm          | 56-58                      |
| 14mm          | 92-94                      |

### PART LIST



Customer Support: [info@iboardauto.com](mailto:info@iboardauto.com)

# iBoard®



X2

M10X45 Bolt Plate



X6

M10X30 Bolt Plate



X4

M10X1.5-30mm  
Hex Bolt



X14

M10 Flat Washer



X2

M10 Large Flat  
Washer



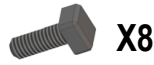
X12

M10 Lock Washer



X12

M10 Hex Nut



X8

M6X1-20mm Square  
Head Bolt



X8

M6 Large Flat  
Washer



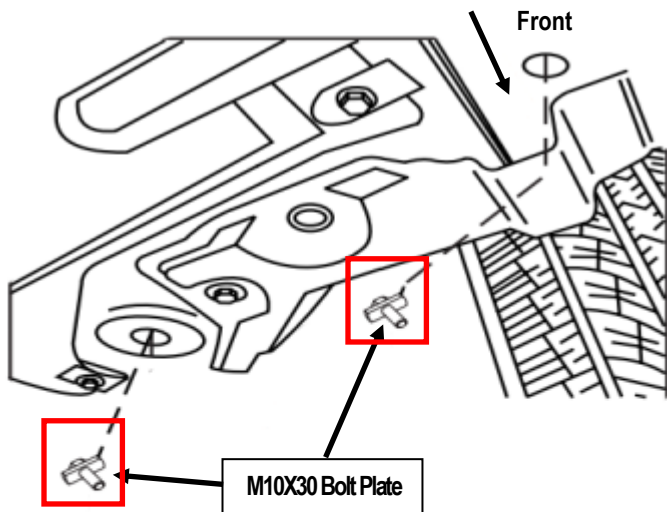
X8

M6 Nylon Lock  
Nut

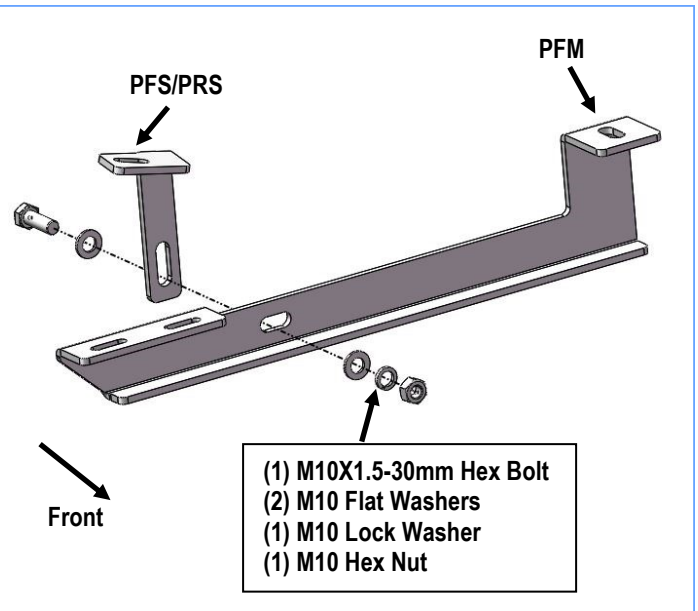
## STEP 1

Start installation from the passenger side front of the vehicle. Remove rubber plugs from front mounting locations. Insert (2) M10X30 Bolt Plates into inner holes, (Fig 1).

Select (1) Passenger Front Mounting Bracket (PFM) and (1) Passenger Front Support Bracket (PFS/PRS), assemble with (1) M10X1.5-30mm Hex Bolt, (2) M10 Flat Washers, (1) M10 Lock Washer and (1) M10 Hex Nut, (Fig 2). Do not fully tighten the hardware at this time.



(Fig 1) Passenger Side Front Mounting Location

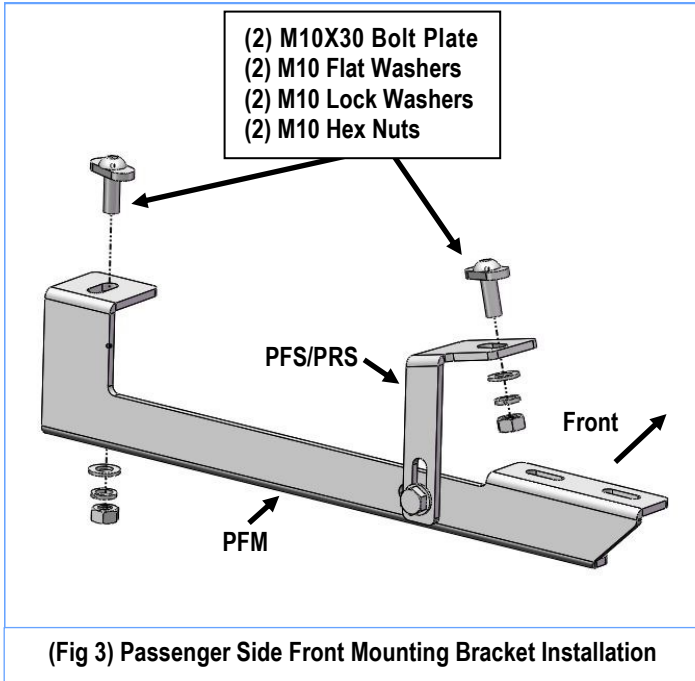


(Fig 2) Passenger Side Front Mounting Bracket Assembly

## STEP 2

Install the assembled Passenger Front Mounting Brackets to (2) M10X30 Bolt Plates with (2) M10 Flat Washers, (2) M10 Lock Washers and (2) M10 Hex Nuts, (Fig 3). Do not fully tighten the hardware at this time.

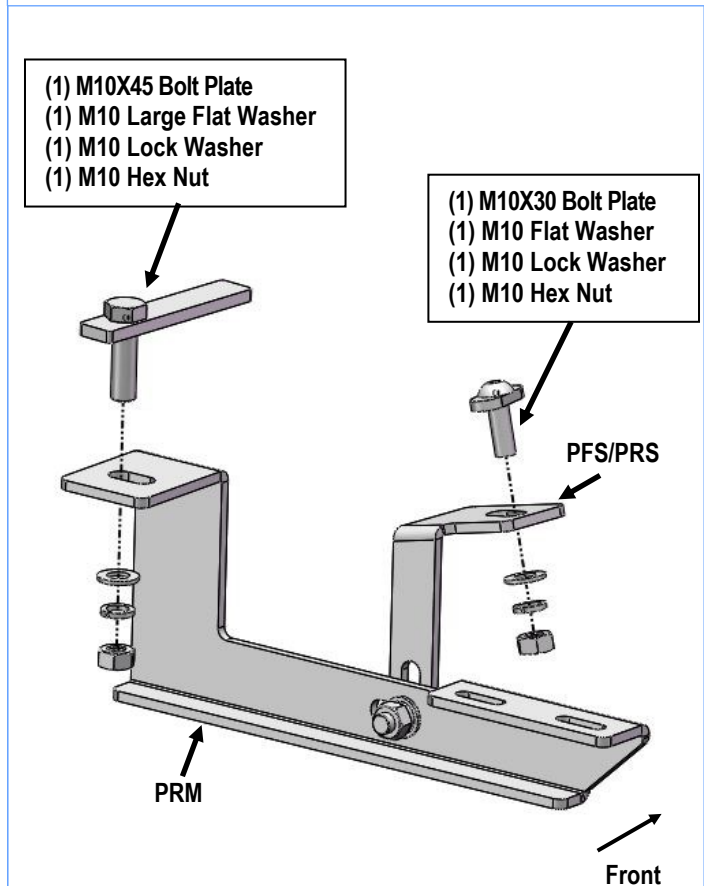
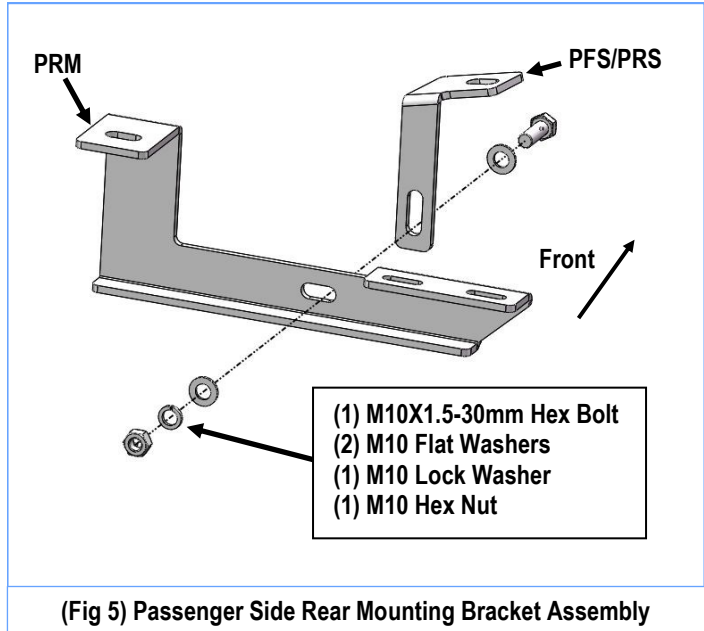
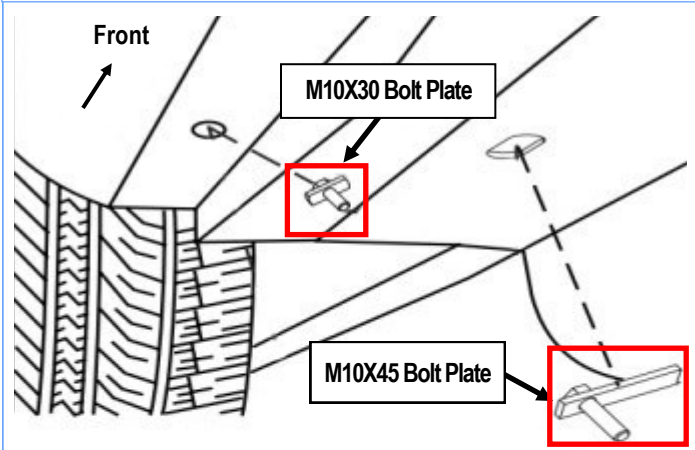
# iBoard®



## STEP 3

Continue move to the passenger side rear of the vehicle, (Fig 4). Repeat **Steps 1-2** to assemble and install the remaining Passenger Side Rear Bracket, (Figs 5 & 6).

**Note:** Driver & Passenger **Rear Mounting Bracket** use **M10X45 Bolt Plate** and **M10 Large Flat Washer** for installation.



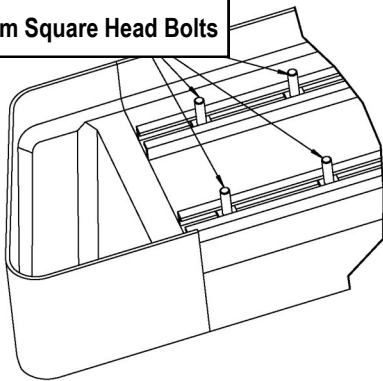
# iBoard®

## STEP 4

Select a Running Board. Slip (2) M6x1-20mm Square Head Bolts into each bottom channel (**Fig 7**). Carefully position the Running Board onto the (2) Mounting Brackets.

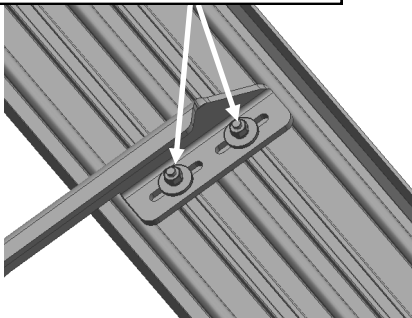
**IMPORTANT:** Do not slide the Running Board on the Brackets or the bottom surface of the board will be damaged. Attach the Running Board to each Mounting Bracket with (2) M6x1-20mm Square Head Bolts, (2) M6 Large Flat Washers and (2) M6 Nylon Lock Nuts (**Fig 8**). Do not fully tighten at this time.

M6X1-20mm Square Head Bolts



(Fig 7) Slip M6X1-20mm Square Head Bolts Into The Bottom Channels

(2) M6X1-20mm Square Head Bolts  
(2) M6 Large Flat Washers  
(2) M6 Nylon Lock Nuts



(Fig 8) Running Board Installed Onto Mounting Bracket

## STEP 5

Level and adjust the Running Board and fully tighten all hardware.

**Important:** Please follow the recommended Tightening Torques shown in the table on page 1. Don't over tighten, or the nuts/bolts will be damaged.

## STEP 6

Repeat **Steps 1-5** for the other side Running Board installation. The installation is completed (**Fig 9**).



(Fig 9) Installation Completed

### Attention

Do periodic inspections to the installation to make sure that all hardware is secure and tight.

In order to protect your bars/boards, please use only mild soap/non-abrasive products for cleaning.