

iRunning Board Installation Instruction

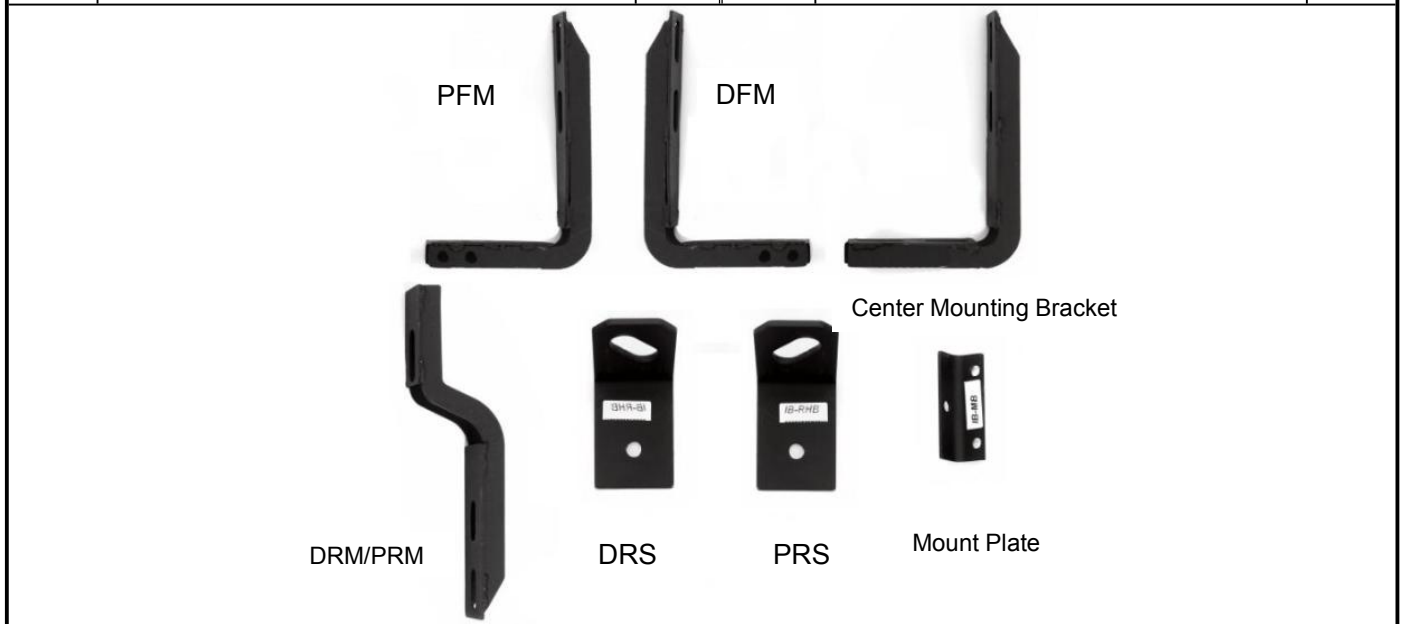
Part#: IB20RIC2

Application: For 2001-2007 Toyota Highlander (Excl. Hybrid)

REV: 20180501

Installation PROCEDURE

Item	Part Name	QTY	Item	Part Name	QTY
1	Step Board (Used for left and right)	2	13	M8x1.25-20 HEX Head Bolts	6
2	Driver/Left Front Mounting Bracket(DFM)	1	14	M8 Flat Washers	6
3	Passenger/Right Front Mounting Bracket(PFM)	1	15	M8 Nylon Lock Nuts	6
4	Center Mounting Bracket	4	16	ST6.3-22 Self Tapping Screw	16
5	Rear Bracket (DRM/PRM)	2	17	M8X1.25 Flange Nuts	4
6	Left Traction frame(DRS)	1	18	M12X1.75 Nuts	2
7	Right Traction frame(PRS)	1	19	M12 Lock Washers	2
8	Mount Plate	6	20	M12 Flat Washers	2
9	M12x50 Bolt Plates	2	21	M6X1-20mm Square Hex Bolt	16
10	M8x30 Bolt Plates	4	22	M6 Flat Washers	16
11	Plastic Gasket	4	23	M6 Nylon Lock Nuts	16
12	Plastic Gasket	2			



Step	Description
1	Remove contents from box and check for damage. Verify all parts are present. Read and understand instructions before beginning installation.
2	There are front, middle and rear brackets for this vehicle. Front brackets have two holes on the side of the vehicle end of bracket. The holes should face the rear of the vehicle. They are used for the wire harness. (See Figure 1).
3	There are three factory plugs on the inside rocker panel. Starting from the from, remover plugs from locating 2 and 3 . (See Figure 2).

The instruction here is for your reference only. We strongly recommend the professional installer for best result. We are not responsible for any damage caused by the installation. Thank you for choosing our product!

iRunning Board Installation Instruction

Part#: IB20RIC2

Application: For 2001-2007 Toyota Highlander (Excl. Hybrid)

REV: 20180501

4	Starting with the front location, place the mount plate behind the jack location and align with the inside rocker panel and fasten with 2 tek screws. (See Figure 3 and 4)
5	Secure front bracket to the mount plate using a M8 hex bolt, flat washers and flange nut. Leave loose. (See Figure 5).
6	For the two middle locations, align the hole in mount plate with factory rocker panel hole and secure with 2 tek screws. (See Figure 6).
7	For the two middle location, place the rocker bolt with a plastic tab into factory rocker hole. (See Figure 7). Push the plastic tab to contact rocker and hold the bolt in place. NOTE: Slide bolt as far up as possible.
8	Attach bracket to rocket panel and mount plate with M8 hex bolt and flange nuts. Leave loose.
9	In the rear location place M12 anchor bolt with the larger plastic tab into the factory tie down hole. (See Figure 8).
10	Place the provided Traction frame into position. Follow that by placing the rear bracket into position. Attach to anchor bolt with M12 lock washer and nut. Leave loose. (See Figure 9).
11	Place 4 square head bolts into outer slots and 4 into inner slots of the aluminum support of the board. (See Figure 10).
12	Place the board onto the mount brackets. Center the board and adjust the brackets to the proper height. Fasten the board to the brackets by using 8 nylock nuts and washers. Use 2 ST6.3-22 Self Tapping screws to fasten the front brackets to the rocker panel. (See Figure 11).
13	Repeat Installation for other side.
14	INSTALLATION IS COMPLETE.

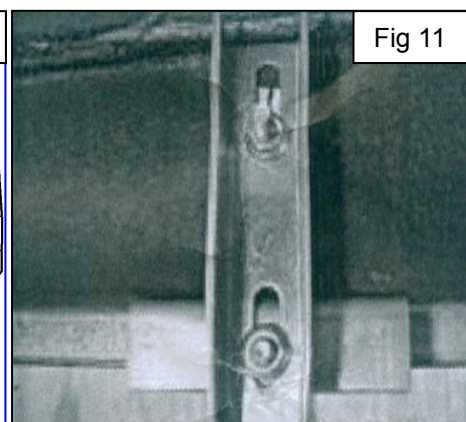
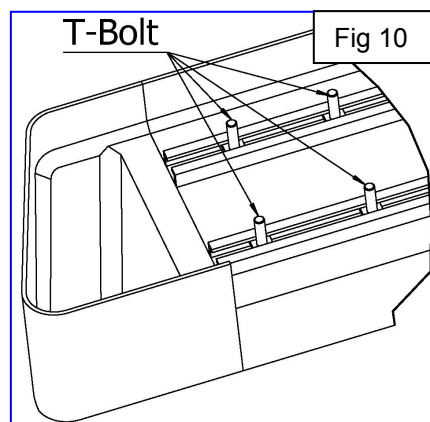
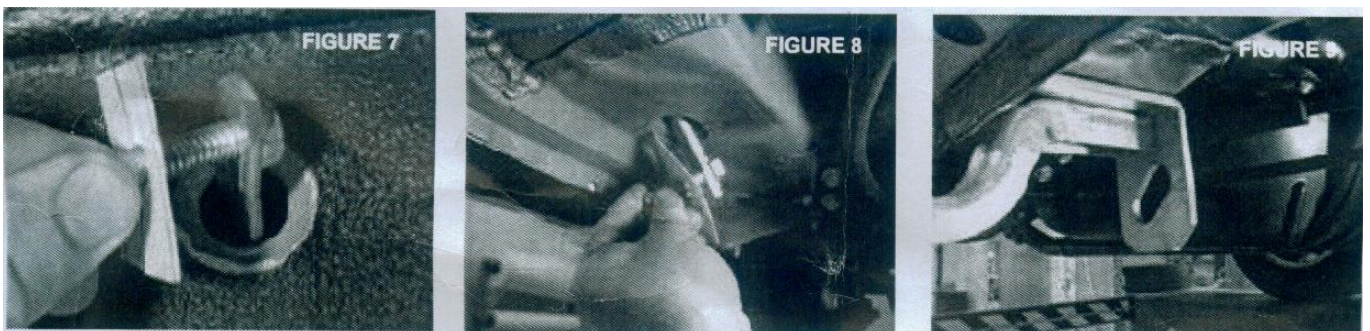
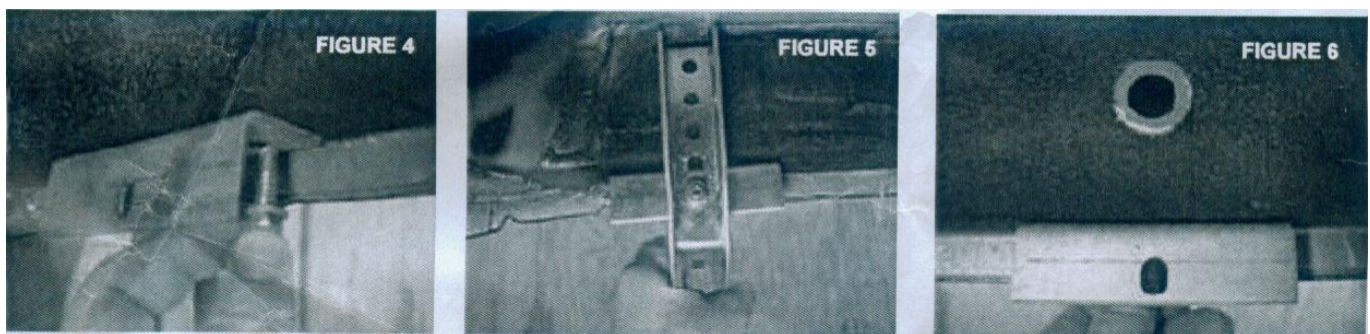
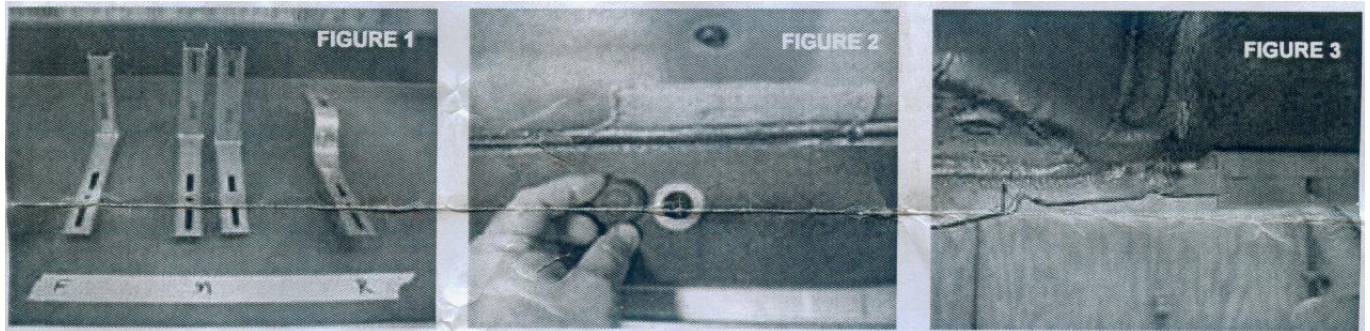
The instruction here is for your reference only. We strongly recommend the professional installer for best result. We are not responsible for any damage caused by the installation. Thank you for choosing our product!

iRunning Board Installation Instruction

Part#: IB20RIC2

Application: For 2001-2007 Toyota Highlander (Excl. Hybrid)

REV: 20180501



INSTALLATION IS COMPLETE.

The instruction here is for your reference only. We strongly recommend the professional installer for best result. We are not responsible for any damage caused by the installation. Thank you for choosing our product!