

# iBoard®

## iBoard® by APS

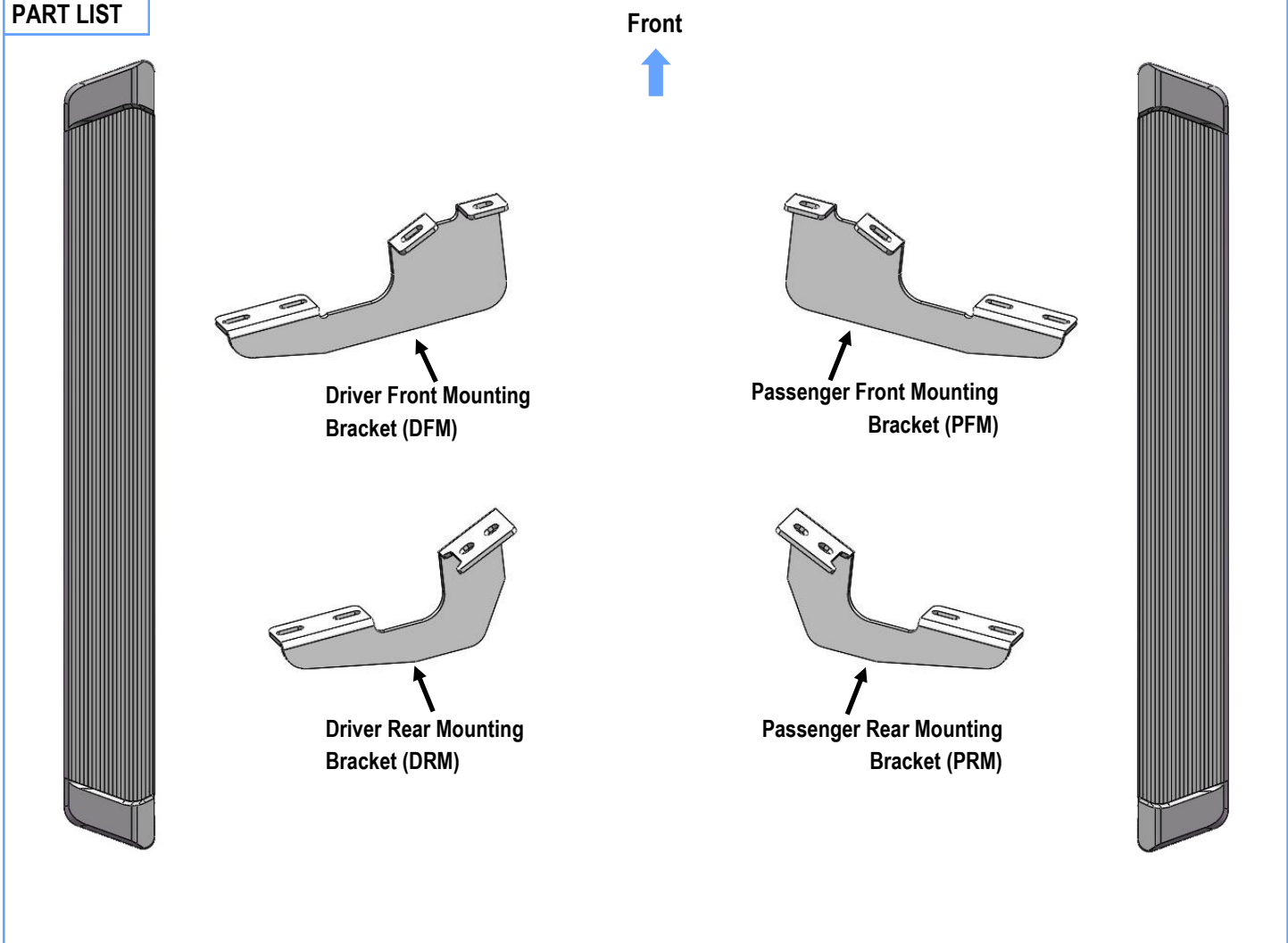
PART#: IB-R358

READ INSTRUCTIONS CAREFULLY BEFORE STARTING INSTALLATION. REMOVE CONTENTS FROM BOX AND VERIFY ALL PARTS ARE PRESENT. ASSISTANCE IS RECOMMENDED.

\*ROCKER PANEL MOUNT  
\*NO DRILLING REQUIRED

Fastener Size	Tightening Torque (ft-lbs)	Required
6mm	6-7	√
8mm	16-18	√
10mm	31-32	X
12mm	56-58	X
14mm	92-94	X

### PART LIST



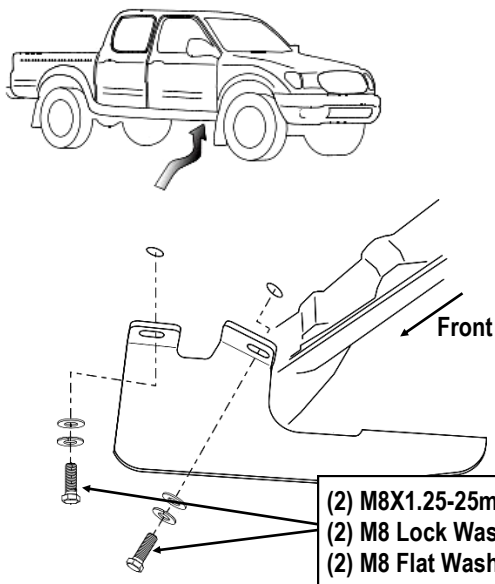
Customer Support: [info@iboardauto.com](mailto:info@iboardauto.com)

# iBoard®



## STEP 1

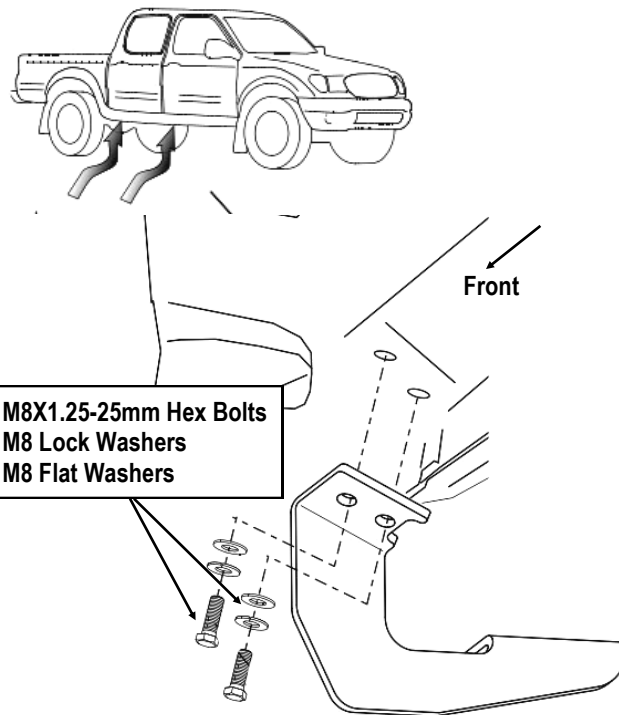
Start installation from the passenger side of the vehicle. Select (1) Passenger Front Mounting Bracket (**PFM**), attach to the front mounting location with (2) M8X1.25-25mm Hex Bolts, (2) M8 Flat Washers and (2) M8 Lock Washers, (**Fig 1**). Do not fully tighten at this time.



(Fig 1) Passenger Front Mounting Bracket Installation

## STEP 2

Move to the passenger side rear of the vehicle. Repeat **Step 1** for the (2) Passenger Rear Mounting Bracket (**PRM**) installation, (**Fig 2**). Do not fully tighten at this time.



(Fig 2) Passenger Rear Mounting Bracket Installation

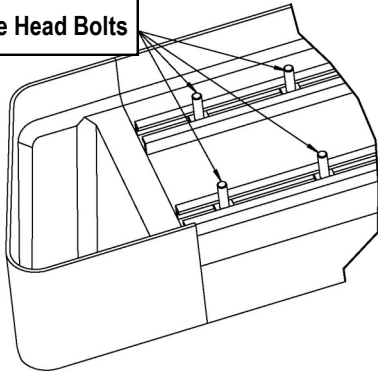
## STEP 3

Select a Running Board. Slip (2) M6x1-20mm Square Head Bolts into each bottom channel (**Fig 3**). Carefully position the Running Board onto the (2) Mounting Brackets.

**IMPORTANT:** Do not slide the Running Board on the Brackets or the bottom surface of the board will be damaged. Attach the Running Board to each Mounting Bracket with (2) M6x1-20mm Square Head Bolts, (2) M6 Large Flat Washers and (2) M6 Nylon Lock Nuts (**Fig 4**). Do not fully tighten at this time.

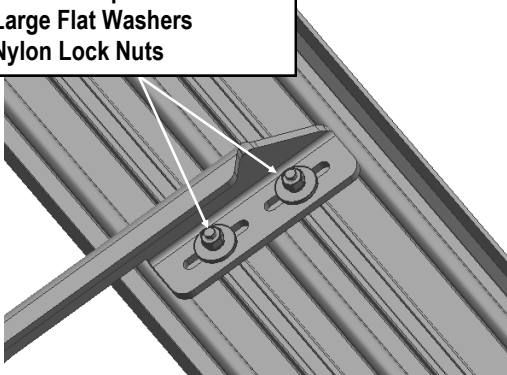
# iBoard®

M6X1-20mm Square Head Bolts



(Fig 3) Slip M6X1-20mm Square Head Bolts Into The Bottom Channels

(2) M6X1-20mm Square Head Bolts  
(2) M6 Large Flat Washers  
(2) M6 Nylon Lock Nuts



(Fig 4) Running Board Installed Onto Mounting Bracket

## STEP 4

Level and adjust the Running Board and fully tighten all hardware.

**Important:** Please follow the recommended Tightening Torques shown in the table on page 1. Don't over tighten, or the nuts/bolts will be damaged.

## STEP 5

Repeat **Steps 1-4** for the other side Running Board installation. The installation is completed.

### Attention

Do periodic inspections to the installation to make sure that all hardware is secure and tight.

In order to protect your bars/boards, please use only mild soap/non-abrasive products for cleaning.