

iBoard®



Scan for
Installation Video

iBoard® by APS

PART#: IB-099C&H

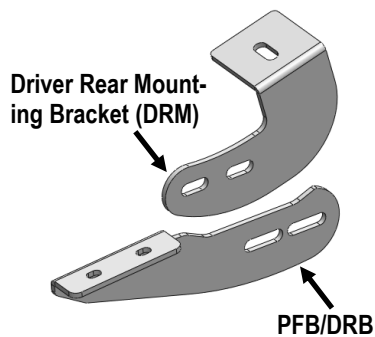
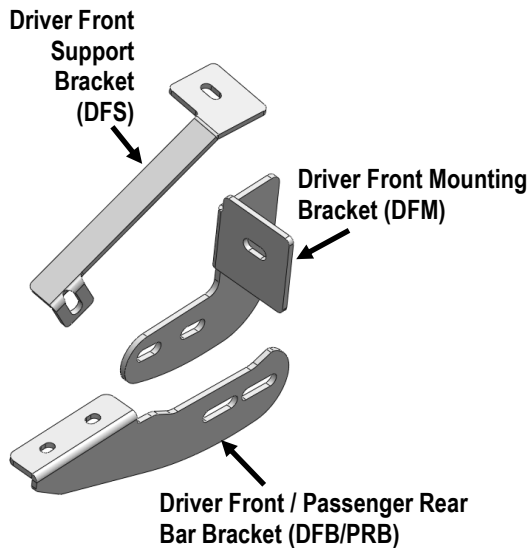
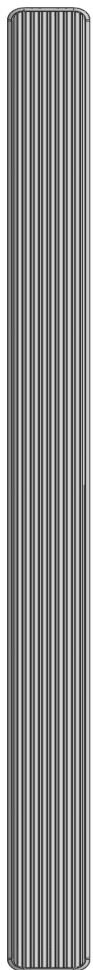
READ INSTRUCTIONS CAREFULLY BEFORE STARTING INSTALLATION. REMOVE CONTENTS FROM BOX AND VERIFY ALL PARTS ARE PRESENT. ASSISTANCE IS RECOMMENDED.

*ROCKER PANEL MOUNT
*NO DRILLING REQUIRED

Fastener Size	Tightening Torque (ft-lbs)	Required
6mm	6-7	X
8mm	16-18	√
10mm	31-32	√
12mm	56-58	X
14mm	92-94	X

PART LIST

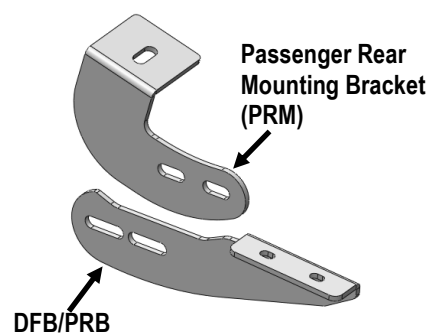
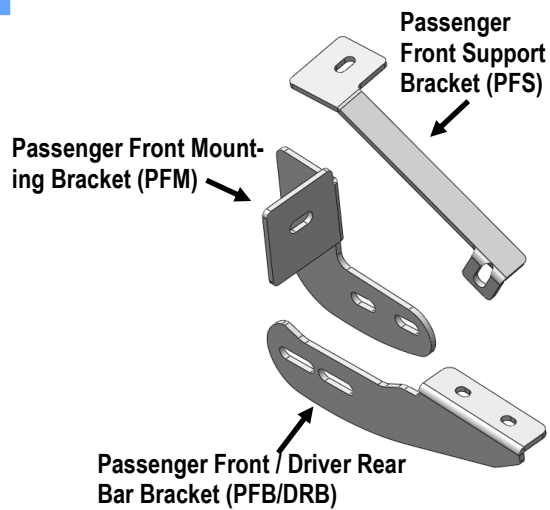
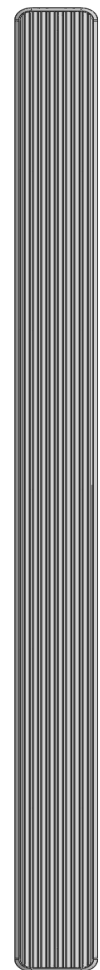
Driver Side Step Bar



Front



Passenger Side Step Bar

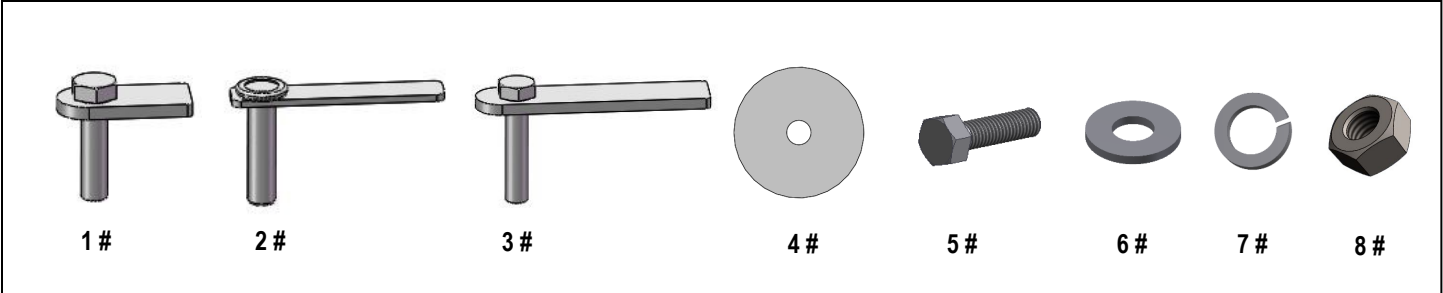


Customer Support: info@iboardauto.com



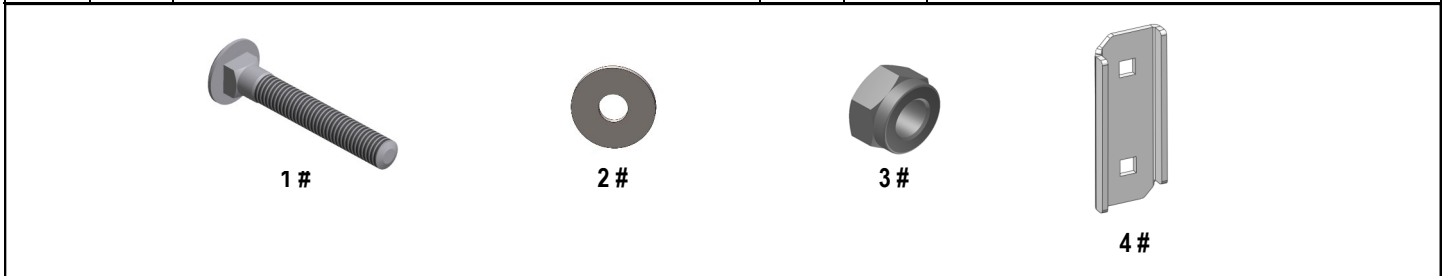
Hardware Package A (For Bracket Installation)

Item	QTY	Description	Item	QTY	Description
1#	2	M10X40 Bolt Plates	5#	8	M10X1.5-40mm Hex Bolts
2#	2	M10X35 Long Bolt Plates	6#	22	M10 Large Flat Washers
3#	2	M10X50 Bolt Plates	7#	14	M10 Lock Washers
4#	2	M10 Plastic Washers	8#	14	M10 Hex Nuts



Hardware Package B (For Stainless Steel Step Bar Installation)

Item	QTY	Description	Item	QTY	Description
1#	8	M8X1.25-35mm Carriage Bolts	3#	8	M8 Nylon Lock Nuts
2#	8	M8 Large Flat Washers	4#	4	Sliders (Packed with Step Bars)

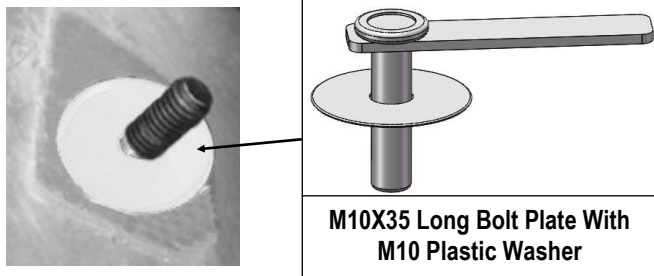




STEP 1

Start installation from the driver side front of the vehicle. From underneath of the vehicle, insert (1) M10x35 Long Bolt Plate with M10 Plastic Washer into the factory hole on the side body panel, (Fig 1).

IMPORTANT! The Plastic Washer is designed to prevent the Bolt Plate from falling into the body cavity and to aid in mounting the Bracket.

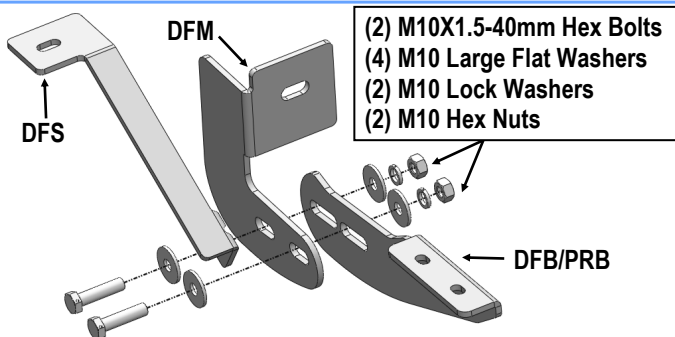


(Fig 1) Driver Side Front Mounting Location

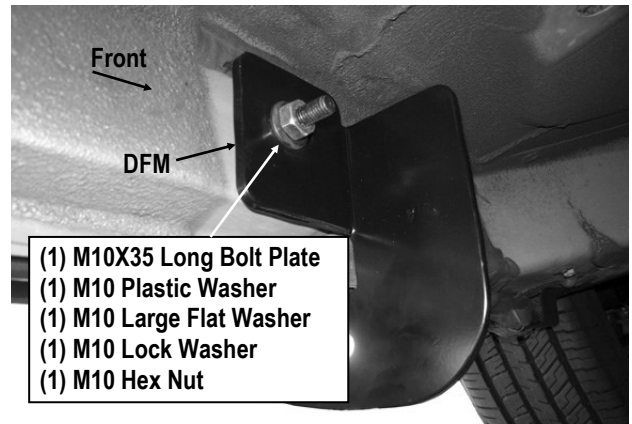
STEP 2

Select (1) Driver Front Mounting Bracket (DFM), (1) Driver Front Support Bracket (DFS) and (1) Driver Front Bar Bracket (DFB/PRB), assemble with (2) M10X1.5-40mm Hex Bolts, (4) M10 Large Flat Washers, (2) M10 Lock Washers and (2) M10 Hex Nuts, (Fig 2). Do not fully tighten the hardware at this time.

Carefully place the assembled driver side front Bracket over the installed M10x35 Long Bolt Plate and secure it using the included (1) M10 Large Flat Washer, (1) M10 Lock Washer and (1) M10 Hex Nut, (Fig 3). Do not fully tighten the hardware at this time.



(Fig 2) Driver Side Front Mounting Brackets Assembly

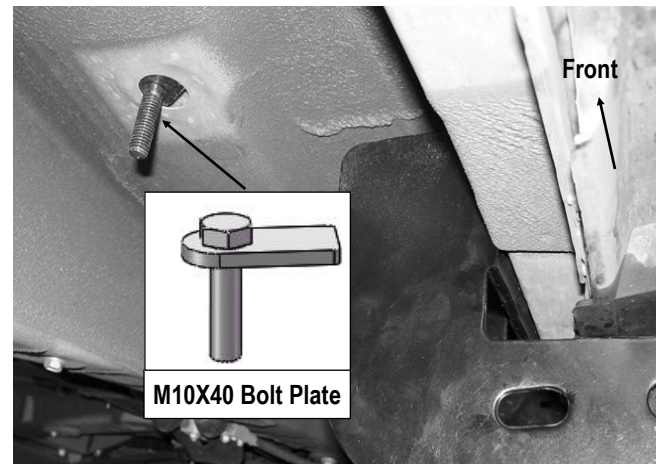


(Fig 3) Driver Front Mounting Bracket Installation

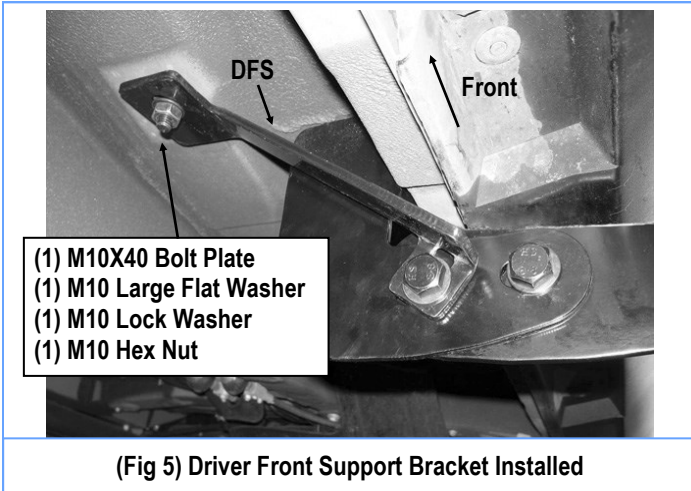
STEP 3

Locate the upper hole in the floor panel and insert (1) M10X40 Bolt Plate, (Fig 4).

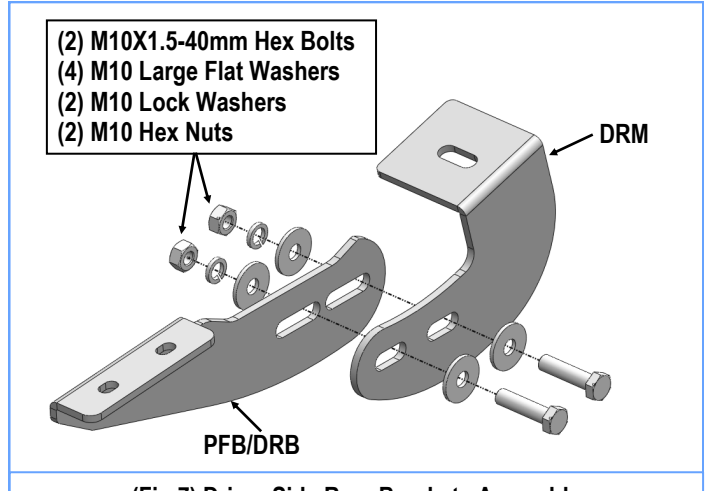
Partially hang the Driver Front Support Bracket (DFS) to the installed M10X40 Bolt Plate with (1) M10 Large Flat Washer, (1) M10 Lock Washer and (1) M10 Hex Nut, (Fig 5). Do not fully tighten the hardware at this time.



(Fig 4) Insert (1) M10X40 Bolt Plate



(Fig 5) Driver Front Support Bracket Installed

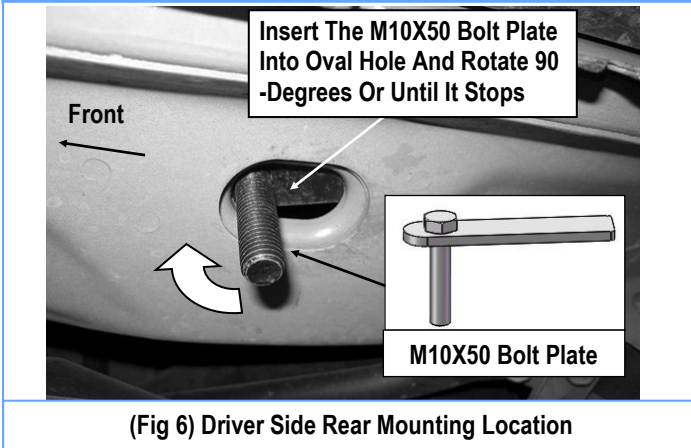


(Fig 7) Driver Side Rear Brackets Assembly

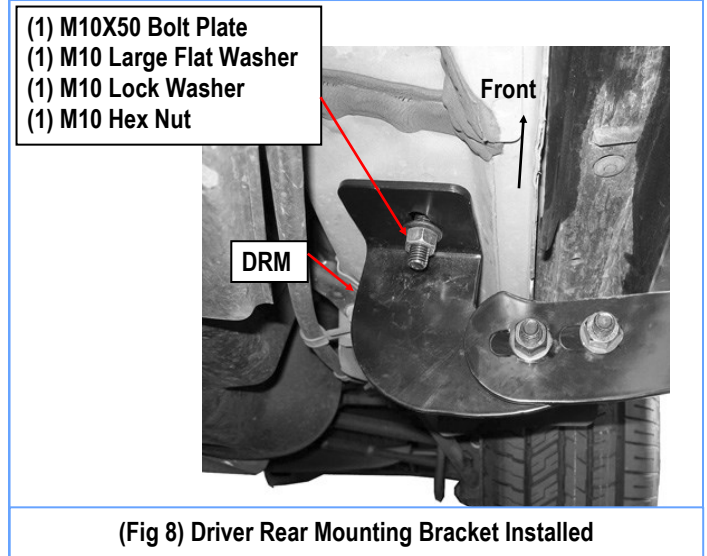
STEP 4

Move to the driver side rear of the vehicle. Insert (1) M10X50 Bolt Plate into factory oval hole in the floor panel, (Fig 6).

Rotate the Bolt Plate 90-degrees or until it stops spinning to properly support both sides of the flat surface on the Bolt Plate.



(Fig 6) Driver Side Rear Mounting Location



(Fig 8) Driver Rear Mounting Bracket Installed

STEP 5

Repeat **Step 2** for (1) Driver Rear Mounting Bracket (DRM), and (1) Driver Rear Bar Bracket (PFB/DRB) assembly, (Fig 7).

Attach the assembled driver side rear Brackets to the previously inserted M10x50 Bolt Plate using (1) M10 Large Flat Washer, (1) M10 Lock Washer and (1) M10 Hex Nut, (Fig 8). Do not fully tighten the hardware at this time.

STEP 6

Once all (2) Driver side mounting brackets are installed, then proceed to the Step Bar installation. (Figs 9 & 10)

- (1) Select (1) Slider and (2) M8X1.25-35mm Carriage Bolts;
- (2) Install (2) M8X1.25-35mm Carriage Bolts in (1) Slider.
- (3) Slide the Slider (with carriage bolts) to the **Step Bar**.
- (4) Repeat to install the other (1) slider to the step bar.
- (5) Attach the Step Bar (with the Sliders) onto the installed mounting brackets. Position the Sliders to the installed back-



ets. Secure the Step Bar to the installed Brackets by using (4) M8 Large Flat Washers and (4) M8 Nylon Lock Nuts and (2) Sliders, (**Fig 10**). Do not fully tighten hardware at this time.

Note: The Sliders are packed with the Step Bars.

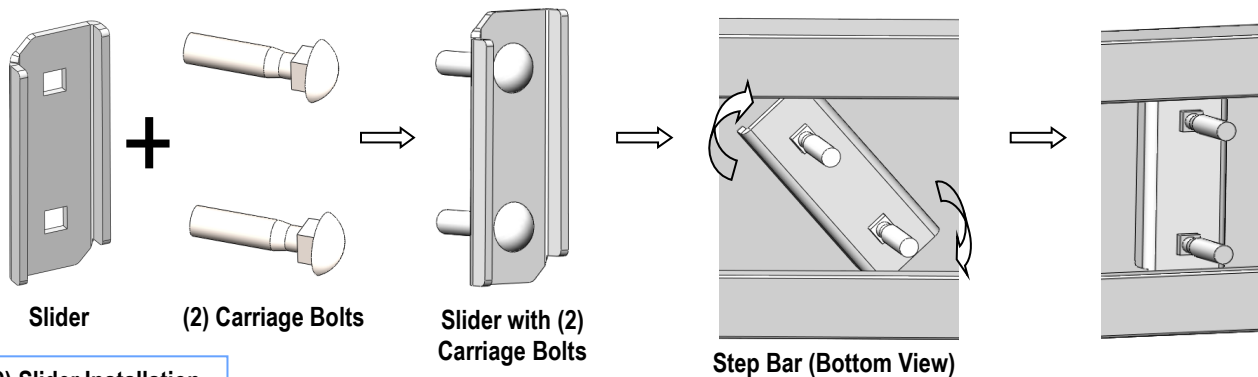
Level and adjust the Step Bar and fully tighten all hardware.

Repeat **Steps 1-6** for the other side Step Bar installation. **The installation is completed!!!**

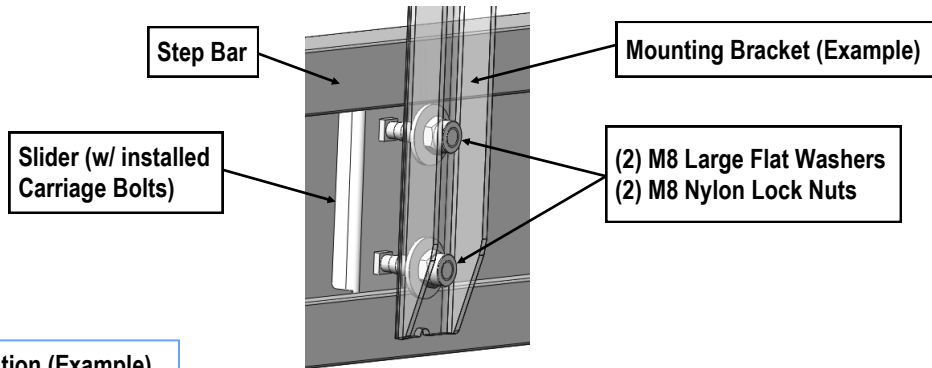
Attention

Do periodic inspections to the installation to make sure that all hardware is secure and tight.

In order to protect your bars/boards, please use mild soap/non-abrasive products for cleaning only.



(Fig 9) Slider Installation



(Fig 10) Step Bar Installation (Example)