

iBoard®

iBoard® by APS

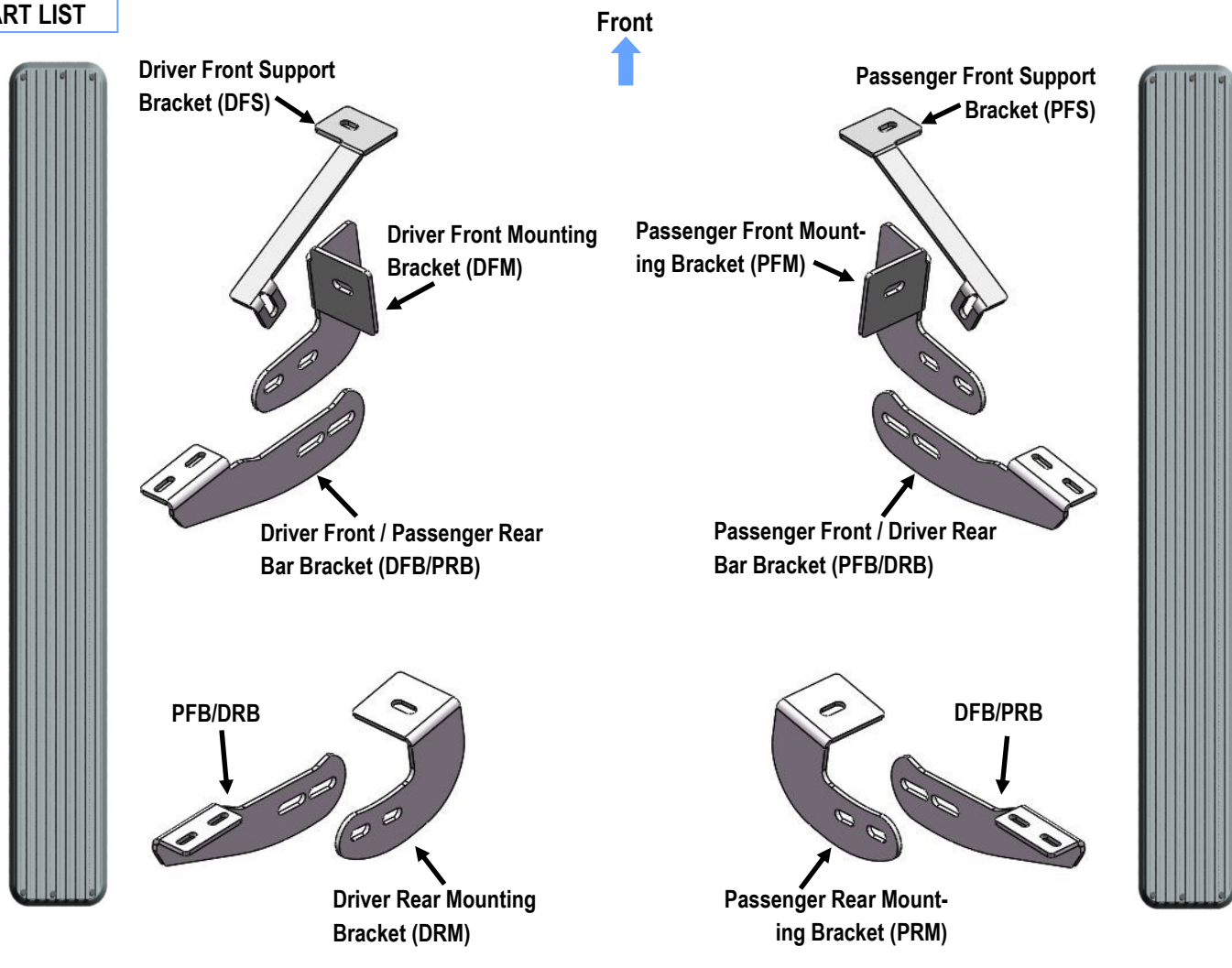
PART#: IB-099

READ INSTRUCTIONS CAREFULLY BEFORE STARTING INSTALLATION. REMOVE CONTENTS FROM BOX AND VERIFY ALL PARTS ARE PRESENT. ASSISTANCE IS RECOMMENDED.

*BODY FRAME MOUNT
*NO DRILLING REQUIRED

Fastener Size	Tightening Torque (ft-lbs)	Required
6mm	6-7	√
8mm	16-18	X
10mm	31-32	√
12mm	56-58	X
14mm	92-94	X

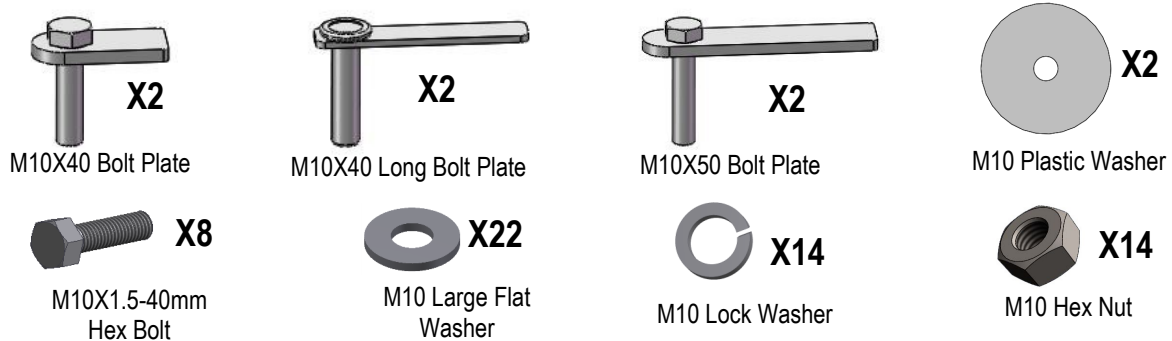
PART LIST



Customer Support: info@iboardauto.com

iBoard®

Hardware Package A (For Bracket Installation)



Hardware Package B (For Aluminum Step Bar Installation Only, Not Supply to Stainless Steel Step Bar)



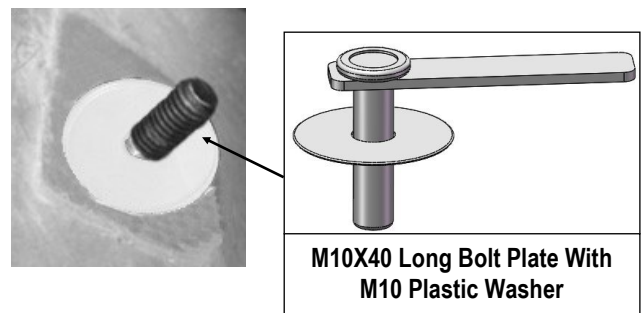
Hardware Package C (For Stainless Steel Step Bar Installation Only, Not Supply to Aluminum Step Bar)



STEP 1

Start installation from the driver side front of the vehicle. From underneath of the vehicle, insert (1) M10x40 Long Bolt Plate with M10 Plastic Washer into the factory hole on the side body panel, (Fig 1).

IMPORTANT! The Plastic Washer is designed to prevent the Bolt Plate from falling into the body cavity and to aid in mounting the Bracket.



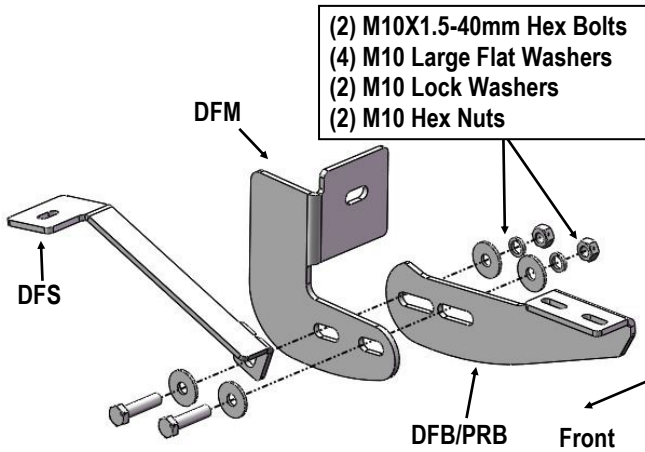
(Fig 1) Driver Side Front Mounting Location Pictured

iBoard®

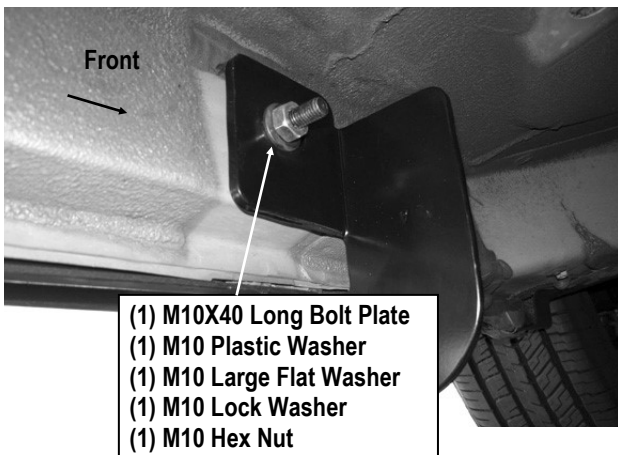
STEP 2

Select (1) Driver Front Mounting Bracket (**DFM**), (1) Driver Front Support Bracket (**DFS**) and (1) Driver Front Bar Bracket (**DFB/PRB**), assemble with (2) M10X1.5-40mm Hex Bolts, (4) M10 Large Flat Washers, (2) M10 Lock Washers and (2) M10 Hex Nuts, (**Fig 2**). Do not fully tighten the hardware at this time.

Carefully place the assembled driver side front Bracket over the already inserted M10x40 Long Bolt Plate and secure it using the included (1) M10 Large Flat Washer, (1) M10 Lock Washer and (1) M10 Hex Nut, (**Fig 3**). Do not fully tighten the hardware at this time.



(Fig 2) Driver Side Front Mounting Bracket Assembly

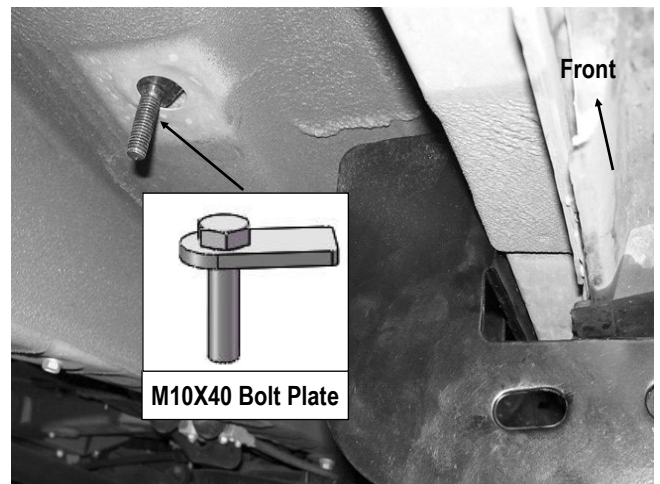


(Fig 3) Driver Side Front Mounting Bracket Installation

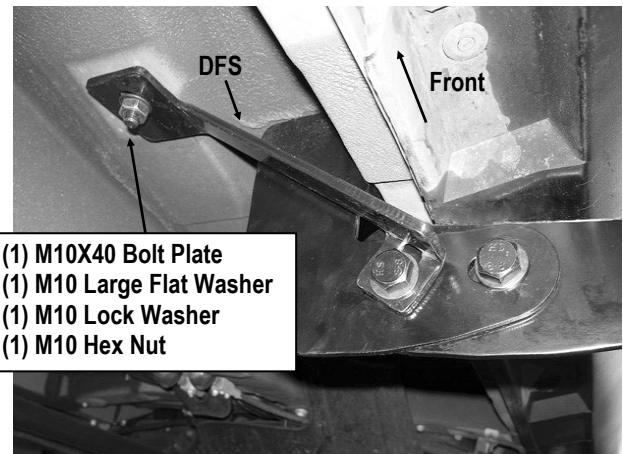
STEP 3

Locate the upper hole in the floor panel and insert (1) M10X40 Bolt Plate, (**Fig 4**).

Partially hang the Driver Front Support Bracket from the M10X40 Bolt Plate with (1) M10 Large Flat Washer, (1) M10 Lock Washer and (1) M10 Hex Nut, (**Fig 5**). Do not fully tighten the hardware at this time.



(Fig 4) Insert (1) M10X40 Bolt Plate



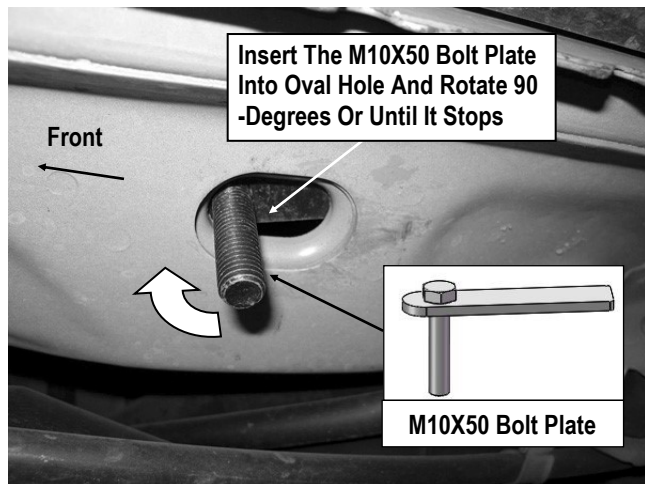
(Fig 5) Driver Side Front Support Bracket Installation

iBoard®

STEP 4

Move to the driver side rear of the vehicle. Insert (1) M10X50 Bolt Plate into factory oval hole in the floor panel, (Fig 6).

Rotate the Bolt Plate 90-degrees or until it stops spinning to properly support both sides of the flat surface on the Bolt Plate.



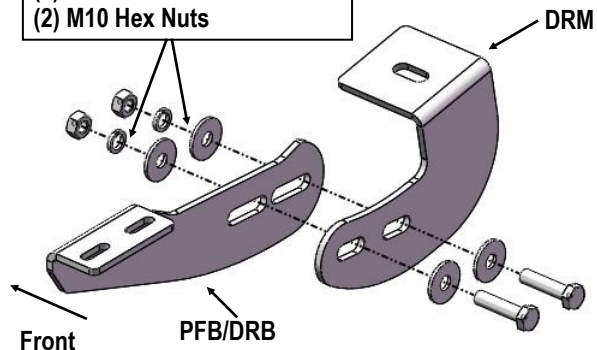
(Fig 6) Driver Side Rear Mounting Location Pictured

STEP 5

Repeat **Step 2** for (1) Driver Rear Mounting Bracket (**DRM**), and (1) Driver Rear Bar Bracket (**PFB/DRB**) assemble, (Fig 7).

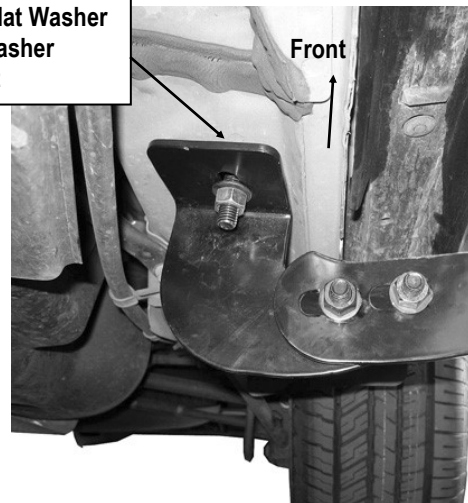
Partially hang the assembled driver side rear Bracket from the previously inserted M10x50 Bolt Plate using the included (1) M10 Large Flat Washer, (1) M10 Lock Washer and (1) M10 Hex Nut, (Fig 8). Do not fully tighten the hardware at this time.

- (2) M10X1.5-40mm Hex Bolts
- (4) M10 Large Flat Washers
- (2) M10 Lock Washers
- (2) M10 Hex Nuts



(Fig 7) Driver Side Rear Brackets Assembly

- (1) M10X50 Bolt Plate
- (1) M10 Large Flat Washer
- (1) M10 Lock Washer
- (1) M10 Hex Nut



(Fig 8) Driver Side Rear Mounting Bracket Installation

STEP 6

Once all (2) mounting brackets are installed, then proceed to the Step Bar installation. According to the style of Step Bar proceed to the correct installation STEPS.

Note: Aluminum Step Bar refer to STEP 7; Stainless Steel Step Bar skip to STEP 8.

iBoard®

STEP 7

Aluminum Step Bar Installation:

Select a **Aluminum Step Bar**. Slip (2) M6x1-20mm Square Head Bolts into each bottom channel (**Fig 9**). Carefully position the Step Bar onto the (2) Mounting Brackets.

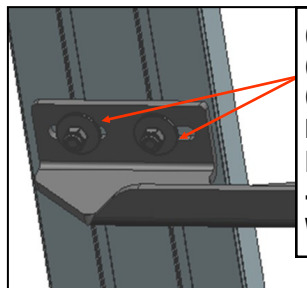
IMPORTANT: Do not slide the Step Bar on the Brackets or the bottom surface of the board will be damaged. Attach the Step Bar to each Mounting Brackets with (2) M6x1-20mm Square Head Bolts, (2) M6 Large Flat Washers and (2) M6 Nylon Lock Nuts, (**Fig 10**). Do not fully tighten at this time.

Level and adjust the Step Bar and fully tighten all hardware. Repeat **Steps 1-7** for the other side Step Bar installation.

The installation is completed!!!



(Fig 9) Slip M6X1-20mm Square Head Bolts Into The Bottom Channels



(2) M6X1-20mm Square Head Bolts
(2) M6 Large Flat Washers
(2) M6 Nylon Lock Nuts
IMPORTANT: TORQUE FOR 6MM FASTNERS MUST LESS THAN 6-7 FT-LBS OR THE FASTNERS WILL BE DAMAGED!

(Fig 10) Running Board Installed Onto Mounting Bracket

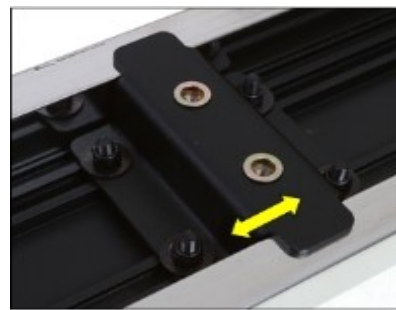
STEP 8

Stainless Steel Step Bar Installation:

Select a **Stainless Steel Step Bar** (with the U-Sliders installed on the Bar). Loose the U-Sliders, reposition the U-Sliders onto the board according to the (2) Installed Mounting Brackets location, (**Fig 11**). Re-secure the U-Sliders on the Step Bar. Attach the Step Bar to the installed Mounting Brackets with (4) M6X1-20mm Hex Bolts, (4) M6 Large Flat Washers & (4) M6 Lock Washers, (**Fig 12**). Do not fully tighten hardware at this time.

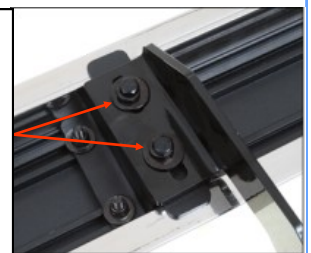
Level and adjust the Step Bar and fully tighten all hardware. Repeat **Steps 1-6 and 8** for the other side Step Bar installation.

The installation is completed!!!



(Fig 11) Slide & line up the U-Slider with the installed mounting brackets along bottom channel

(2) M6X1-20mm Hex Bolts
(2) M6 Large Flat Washers
(2) M6 Lock Washers
IMPORTANT: TORQUE FOR 6MM FASTNERS MUST LESS THAN 6-7 FT-LBS OR THE FASTNERS WILL BE DAMAGED!



(Fig 12) Step Bar Installed on Bracket Installed (Example)

Attention

Do periodic inspections to the installation to make sure that all hardware is secure and tight. In order to protect your bars/boards, please use only mild soap/non-abrasive products for cleaning.