

# iBoard®

## iBoard® by APS

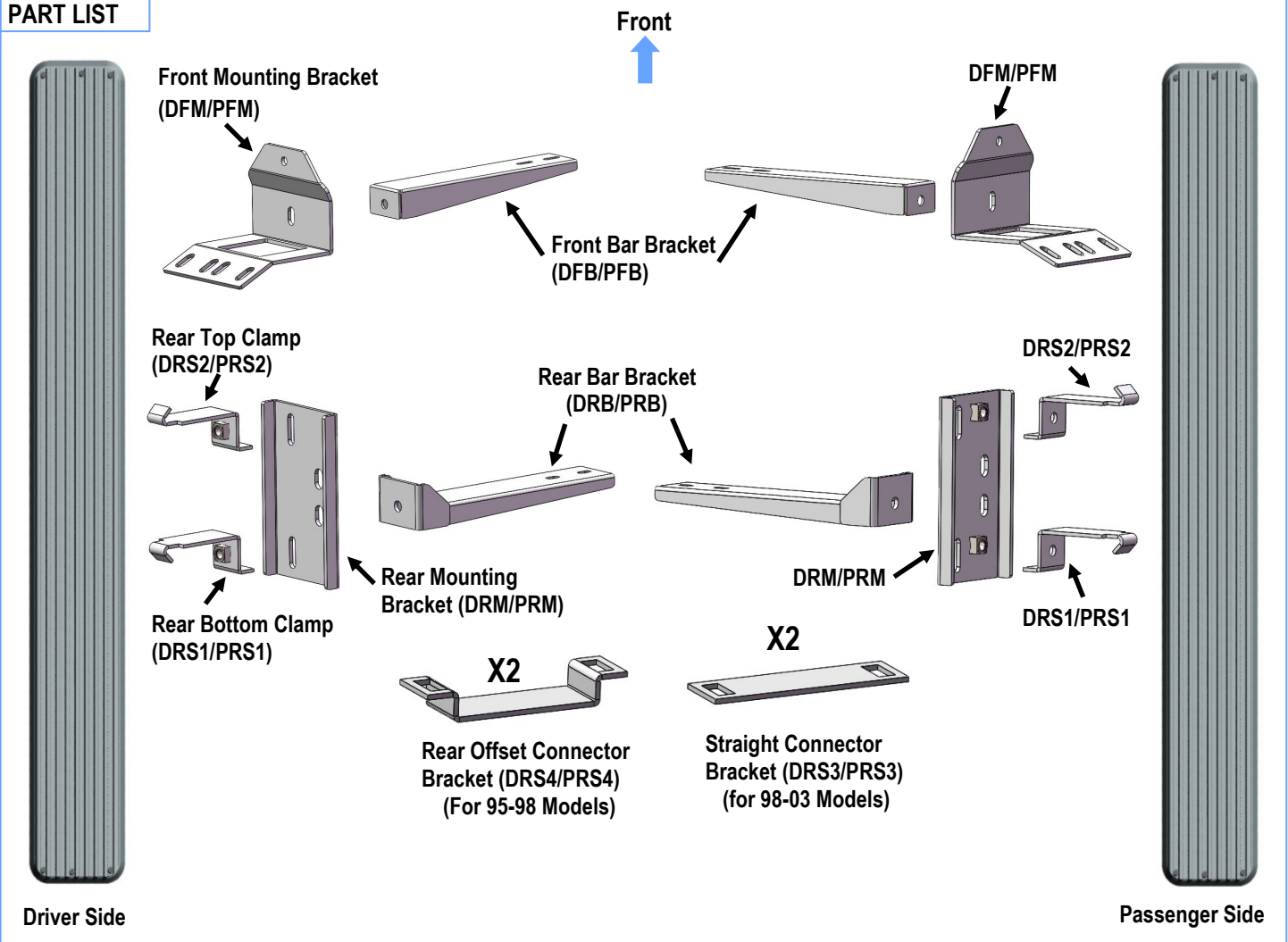
PART#: IB-054A-B

**READ INSTRUCTIONS CAREFULLY BEFORE STARTING INSTALLATION. REMOVE CONTENTS FROM BOX AND VERIFY ALL PARTS ARE PRESENT. ASSISTANCE IS RECOMMENDED.**

**\*BODY FRAME MOUNT  
\*NO DRILLING REQUIRED**

Fastener Size	Tightening Torque (ft-lbs)
6mm	6-7
8mm	16-18
10mm	31-32
12mm	56-58
14mm	92-94

### PART LIST



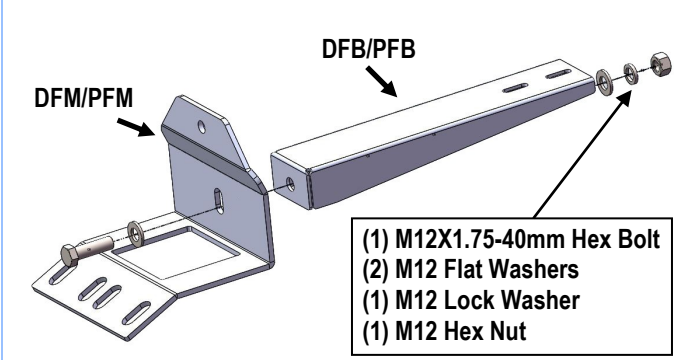
Customer Support: [info@iboardauto.com](mailto:info@iboardauto.com)

# iBoard®



## STEP 1

Start installation from the passenger side front of the vehicle. Select and assemble (1) Front Mounting Bracket (**DFM/PFM**) and (1) Front Bar Bracket (**DFB/PFB**) with (1) M12X1.75-40mm Hex Bolt, (2) M12 Flat Washers, (1) M12 Lock Washer and (1) M12 Hex Nut, (**Fig 1**). Do not fully tighten hardware at this time.

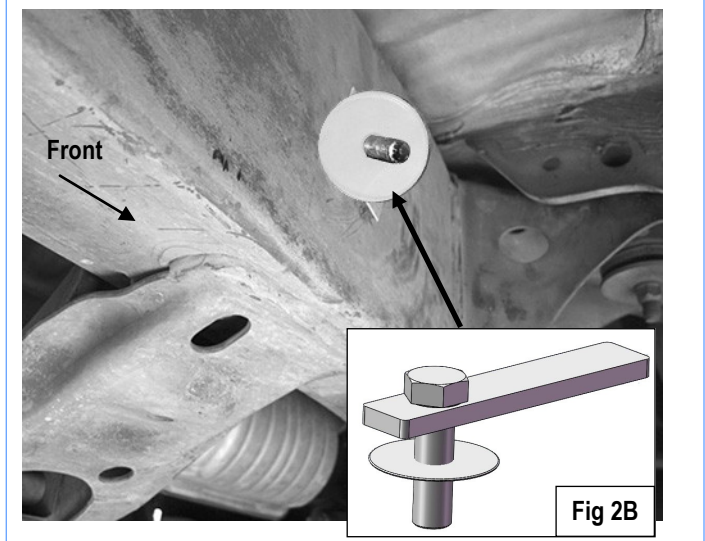


(Fig 1) Front Mounting Bracket Assembly

## STEP 2

Locate the factory rectangular hole in the frame towards the front of the vehicle. Thread (1) M10 Plastic Washer part way onto (1) M10 Bolt Plate, (**Fig 2B**). Insert the M10 Bolt Plate into the rectangular hole on the side of the frame, (**Fig 2A**). Once inserted, thread the M10 Plastic Washer down tight against the frame.

**Note:** The M10 Plastic Washer is designed to prevent the M10 Bolt Plate from falling into the frame channel and hold the bolt plate in place within mounting the Brackets.

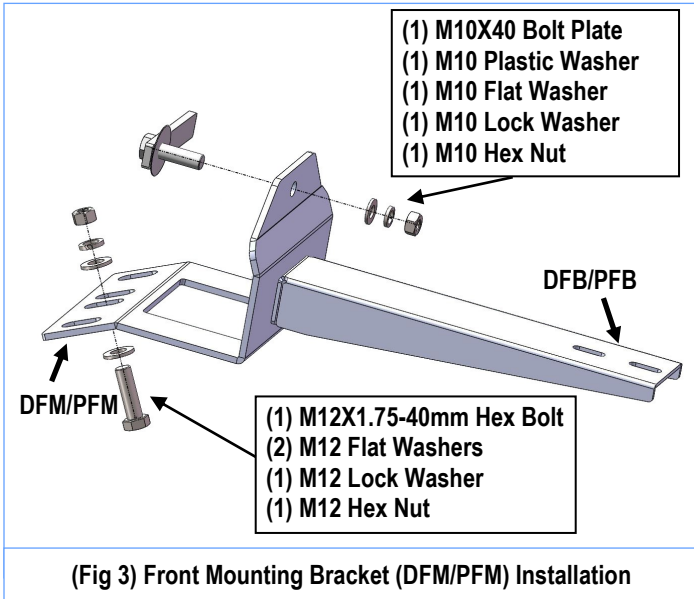


(Fig 2A) M10 Bolt Plate Installation

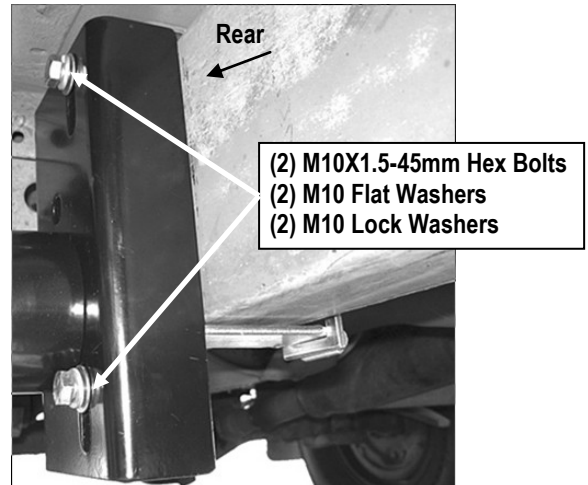
## STEP 3

Attach upper hole of the Front Mounting Bracket (**DFM/PFM**) to the installed M10 Bolt Plate with (1) M10 Lock Washer, (1) M10 Flat Washer and (1) M10 Hex Nut. Attach the bottom hole of the mounting bracket to the frame of vehicle with (1) M12X1.75-40mm Hex Bolt, (1) M12 Lock Washer, (2) M12 Flat Washers and (1) M12 Hex Nut (**Fig 3**). Do not fully tighten hardware at this time.

# iBoard®



**IMPORTANT:** Hook on the Top Clamp should be facing up. Hook on the Rear Bottom Clamp should be facing downward.



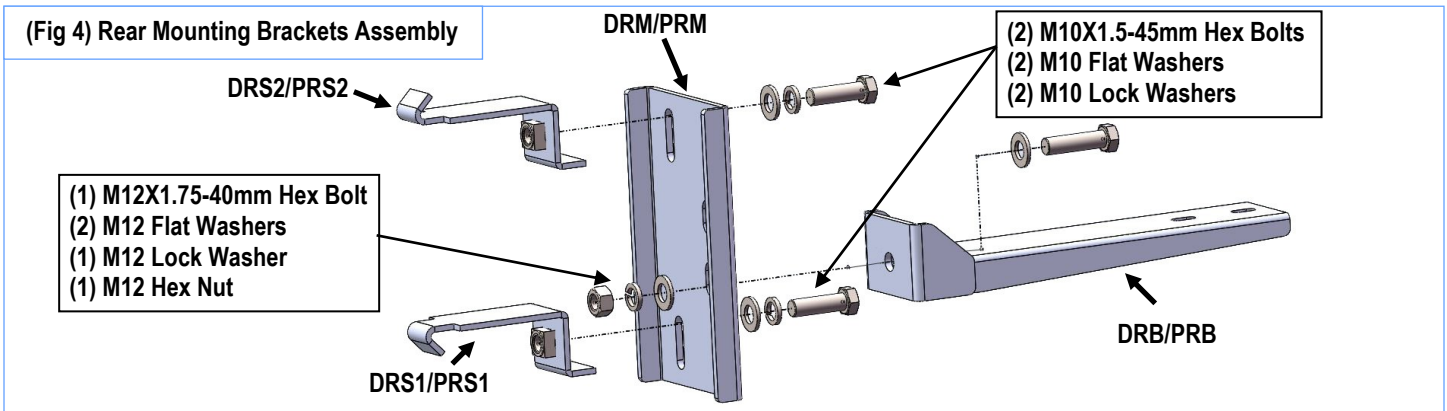
## STEP 4

Move to passenger side rear mounting location. Assemble (1) Rear Bar Bracket (**DRB/PRB**) and Rear Mounting Bracket (**DRM/PRM**) with (1) M12X1.75-40mm Hex Bolt, (1) M12 Lock Washer, (2) M12 Flat Washer and (1) M12 Hex Nut (**Fig 4**). Do not fully tighten hardware at this time.

Place (1) Rear Top Clamp (**DRS2/PRS2**) on top of the frame channel and place (1) Rear Bottom Clamp (**DRS1/PRS1**) at the bottom of the frame channel. Bolt (2) Clamps to the Rear Mounting Bracket (**DRM/PRM**) with (2) M10X1.5-45mm Hex Bolts, (2) M10 Lock Washers and (2) M10 Flat Washers, (**Fig 4 & 5**). Do not fully tighten hardware at this time.

## STEP 5

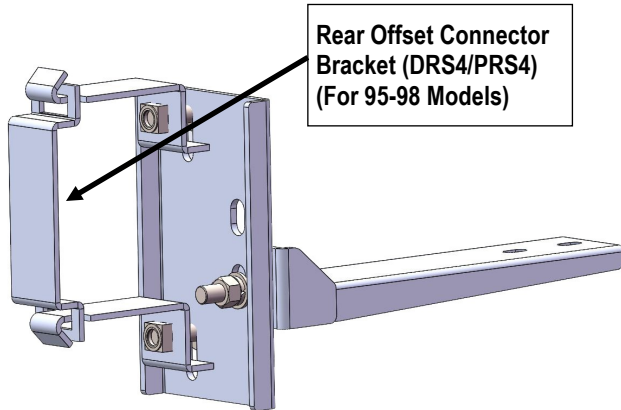
Depending on your vehicle, place either the Straight Connector Bracket (**DRS3/PRS3**) or the Rear Offset Connector Bracket (**DRS4/PRS4**) on the backside of the frame and hook it over the Rear Top Clamp and Rear Bottom Clamp. (**Fig 6 & 7**).



# iBoard®

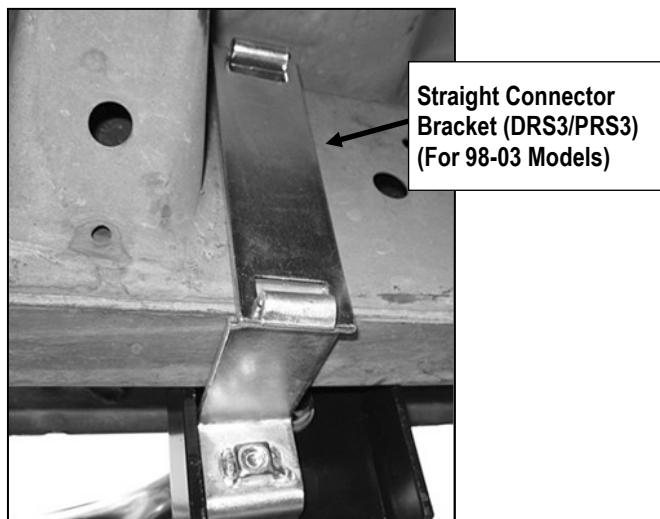
## STEP 6

**95-98 Extended Cab Models:** Place Rear Offset Connector Bracket (**DRS4/PRS4**) against backside of frame on the passenger side and Straight Connector Bracket against the backside of frame on the driver side, (**Fig 6**)



(Fig 6) 95-98 Extended Cab Models

**98-03 Extended Cab Models:** Place Straight Connector Bracket (**DRS3/PRS3**) against the backside of the frame on the passenger and driver side. (**Fig 7**)



(Fig 7) 98-03 Extended Cab Models

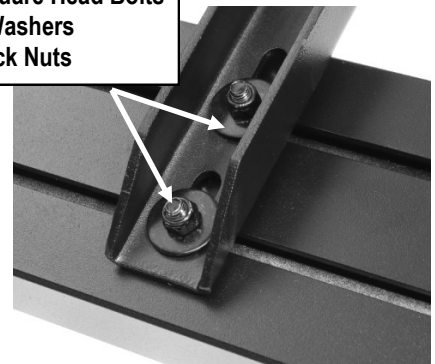
Select a Running Board. Slip (2) M6x1-20mm Square Head Bolts into each bottom channel (**Fig 8**). Carefully position the Running Board onto the (2) Mounting Brackets.

**IMPORTANT:** Do not slide the Running Board on the Brackets or the bottom surface of the board will be damaged. Attach the Running Board to Mounting Bracket with (4) M6x1-20mm Square Head Bolts, (4) M6 Large Flat Washers and (4) M6 X1 Nylon Lock Nuts (**Fig 9**). Do not fully tighten hardware at this time.



(Fig 8) Slip M6X1-20mm Square Head Bolts Into The Bottom Channels

(2) M6X1-20mm Square Head Bolts  
(2) M6 Large Flat Washers  
(2) M6X1 Nylon Lock Nuts



(Fig 9) Running Board Installed Onto the Mounting Bracket

## STEP 7

Level and adjust the Running Board as necessary and fully tighten all hardware.

# iBoard®

## STEP 8

Repeat **Steps 1-7** for the other side Running Board installation. The installation is completed, (**Fig 10**).



(Fig 10) Installation Completed

### Attention

Do periodic inspections to the installation to make sure that all hardware is secure and tight.

In order to protect your bars/boards, please use only mild soap/non-abrasive products for cleaning.