

iBoard®

iBoard® by APS

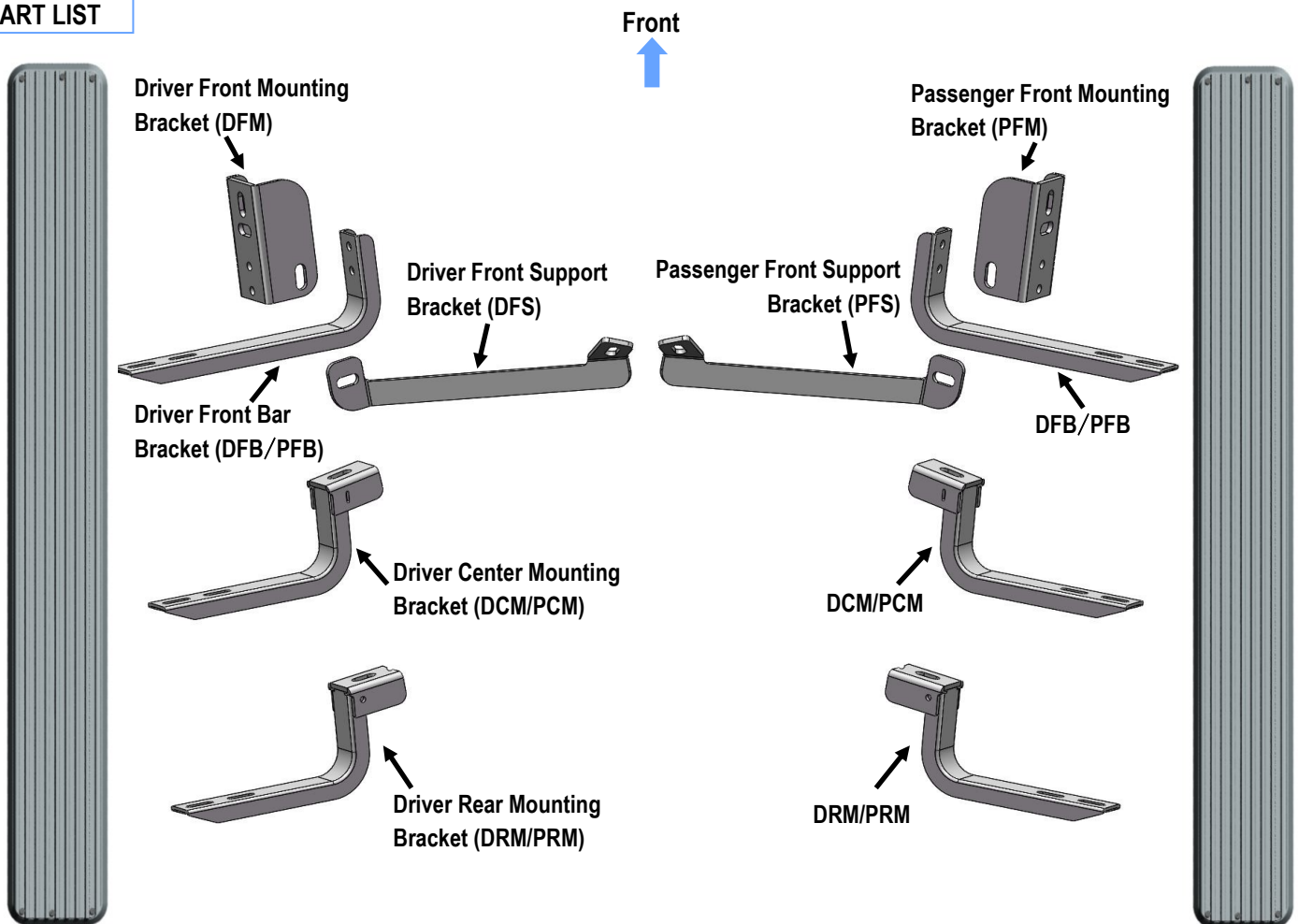
PART#: IB-362

READ INSTRUCTIONS CAREFULLY BEFORE STARTING INSTALLATION. REMOVE CONTENTS FROM BOX AND VERIFY ALL PARTS ARE PRESENT. ASSISTANCE IS RECOMMENDED.

*BODY FRAME MOUNT
*NO DRILLING REQUIRED/ CUTTING IS REQUIRED

Fastener Size	Tightening Torque (ft-lbs)	Required
6mm	6-7	√
8mm	16-18	√
10mm	31-32	√
12mm	56-58	X
14mm	92-94	X

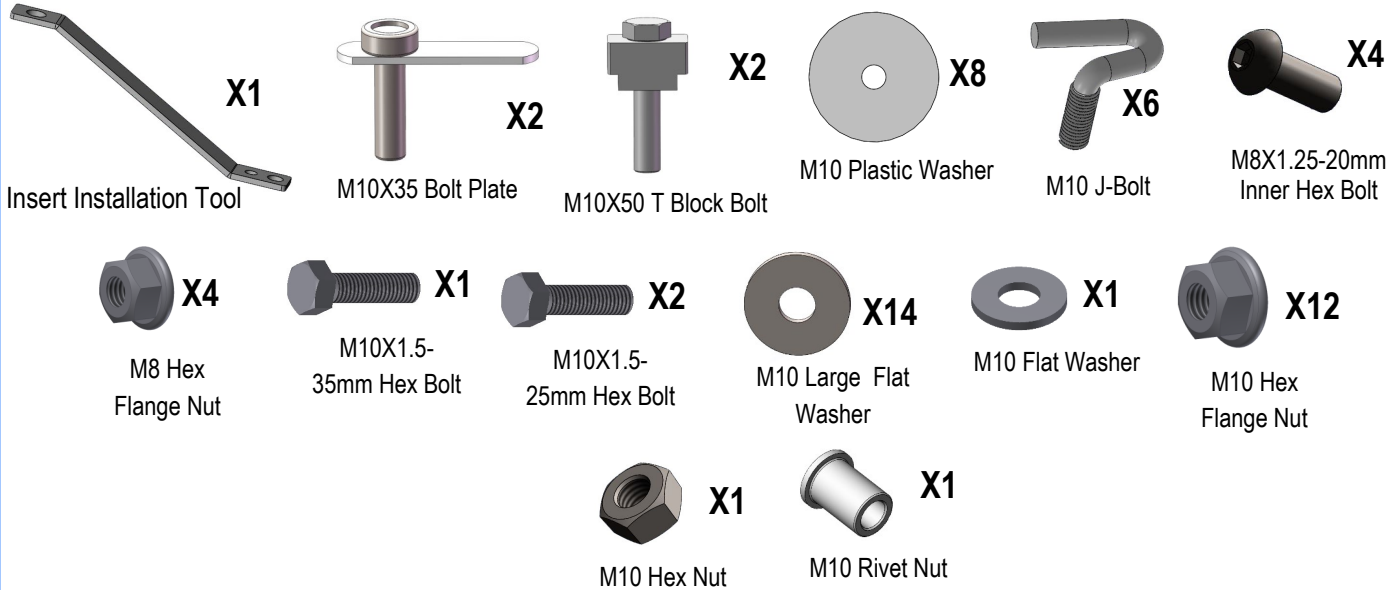
PART LIST



Customer Support: info@iboardauto.com

iBoard®

Hardware Package A (For Bracket Installation)



Hardware Package B (For Aluminum Step Bar Installation Only, Not Supply to Stainless Steel Step Bar)



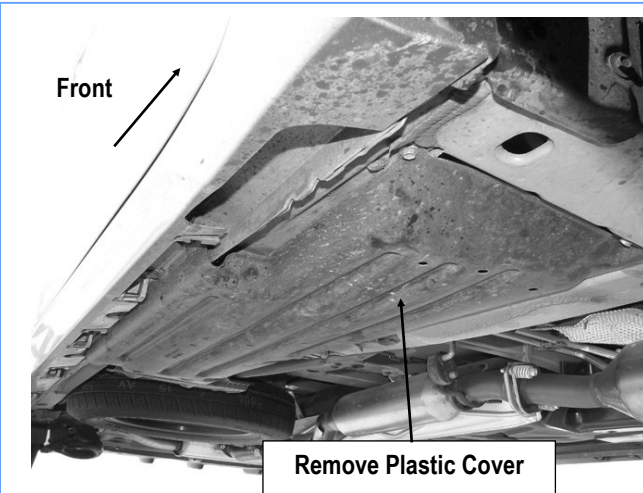
Hardware Package C (For Stainless Steel Step Bar Installation Only, Not Supply to Aluminum Step Bar)



iBoard®

STEP 1

Start installation from the driver side front of the vehicle. Remove the plastic cover, **(Fig 1)**. Pay close attention to the type and location of all factory hardware for reinstallation.

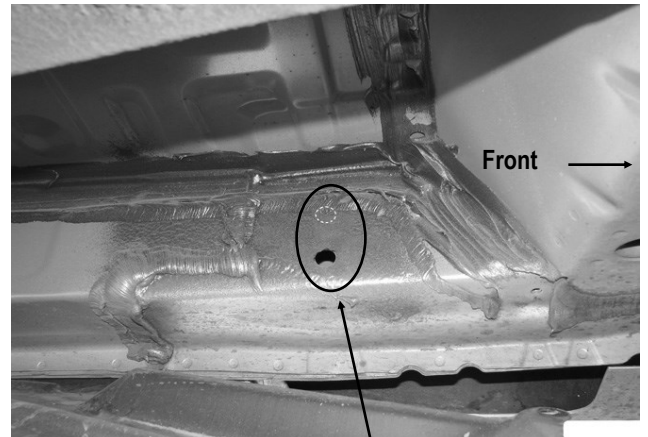


(Fig 1) Passenger Side Mounting Location Pictured

STEP 2

Locate the factory hole(s) in the inside wall of the floor panel, **(Fig 2)**. **NOTE:** The mounting locations may be covered by sealant or undercoating. Use a small screwdriver to poke through the sealant to uncover the hole.

IMPORTANT: Brackets must sit flat against sheet metal. Scrape any excess sealant from body panel before installing any and all Brackets.



(Fig 2) 2011-14 Driver Side Front Mounting Location (Remove Sealant As Necessary)

STEP 3

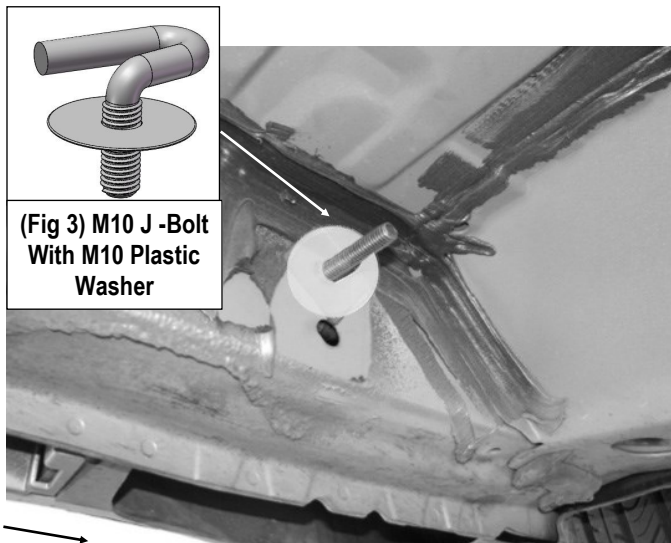
Assembly Driver Front Bar Bracket (**DFB/PFB**) and Driver Front Mounting Bracket (**DFM**) with (2) M8X1.25-20mm Inner Hex Bolts, and (2) M8 Hex Flange Nuts, **(Fig 5)**.

Select the correct driver side front bracket installation for your model year:

2011-14 models with (2) factory holes in driver side-front location. Also use for Passenger Mounting Bracket installation, all model years:

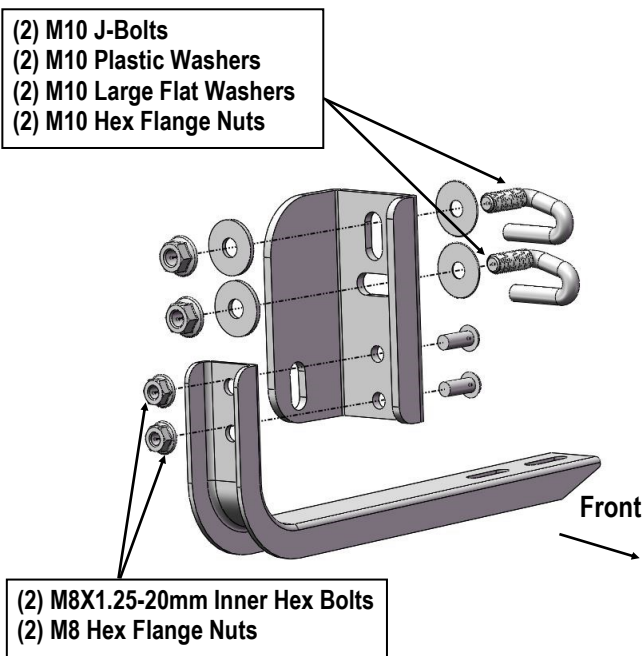
- Select (1) M10 J-Bolt and (1) M10 Plastic Washer, **(Fig 3)**. Partially thread the M10 Plastic Washer onto the J-Bolt. Insert the J-Bolt into the factory hole in the side panel, **(Fig 4)**. Thread the M10 Plastic Washer down until it is tight against the floor panel. The M10 Plastic Washer is designed to help hold the J-Bolt in place during Bracket installation.
- Repeat this Step to install the second J-Bolt in the remaining hole.
- Hang the Driver Front Mounting Bracket (**DFM**) from the (2) M10 J-Bolts with (2) M10 Large Flat Washers and (2) M10 Hex Flange Nuts, **(Fig 5)**. Do not fully tighten hardware at this time.

iBoard®



(Fig 3) M10 J-Bolt
With M10 Plastic
Washer

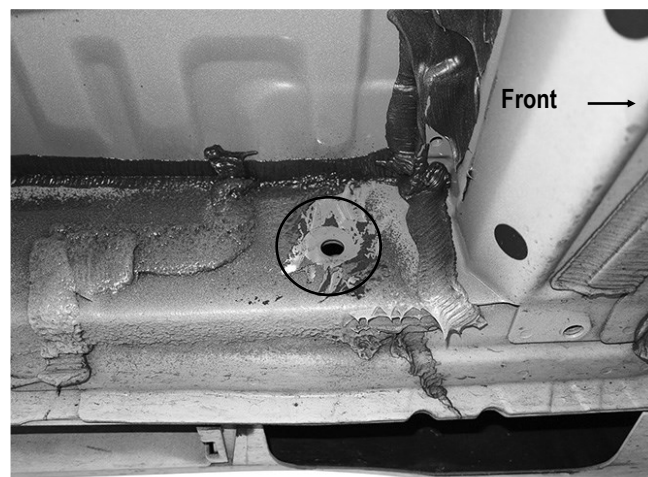
(Fig 4) Use Plastic Washer To Hold M10 J-Bolt In Place
(2011-14 models)



(Fig 5) Driver Front Mounting Bracket Installation

2015-on with (1) factory hole in driver side-front location-
applies to **Driver Front Mounting Bracket install only:**

- Locate the single factory hole as previously described in **Step 2, (Fig 6)**. Select the Insert Installation Tool, (1) M10 Rivet Nut, (1) M10 Large Flat Washer, (1) M10 Hex Nut and (1) M10X1.5-35mm Hex Bolt. Assemble the tool as pictured in **Fig 7. NOTE:** Select 10 mm hole on Insert Installation Tool, **(Fig 7A)**.
- Push the M10 Rivet Nut assembly into the factory hole. Hold tool handle and assembly up tight against the inner body panel. Tighten the M10 Hex Bolt until insert is fully expanded into hole, **(Fig 8)**. **NOTE:** Do not over tighten the Hex Bolt or damage to the insert, body panel or insert pull out may occur.
- Once Metal Insert is fully compressed, remove the bolt and tool from the Metal Insert.
- Line up the top slot in the Driver Front Mounting Bracket with the M10 Rivet Nut. Attach the Bracket to the M10 Rivet Nut with (1) M10X1.5-35mm Hex Bolt, (1) M10 Large Flat Washer and (1) M10 Lock Washer, **(Fig 9)**. Do not fully tighten hardware at this time.



(Fig 6) Driver Side Front Mounting Location
Remove Sealant Covering Single Hole As Necessary
(2015-on models)

iBoard®



Fig 7

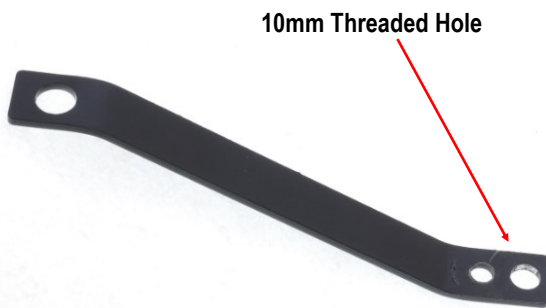
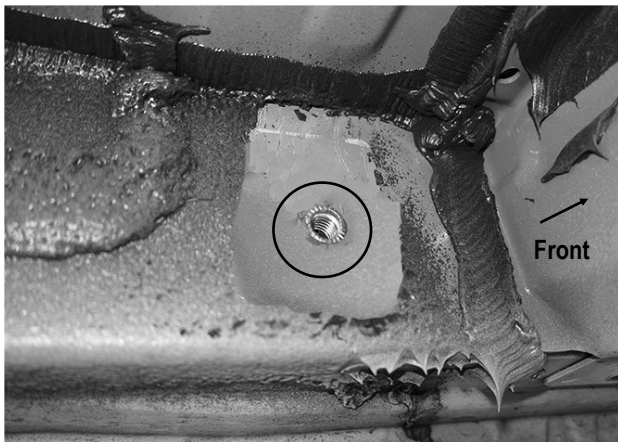
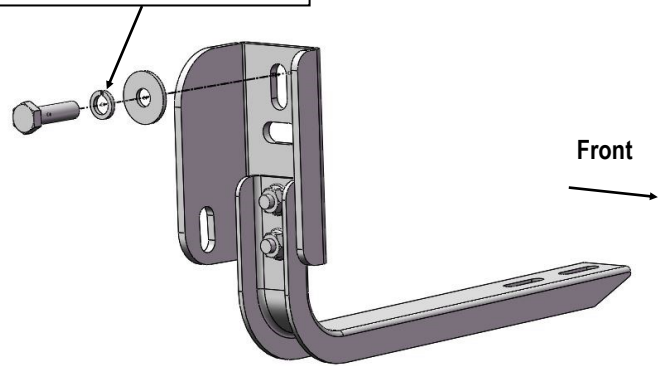


Fig 7A



(Fig 8) M10 Rivet Nut Installation On Driver Side
(2015-On Models)

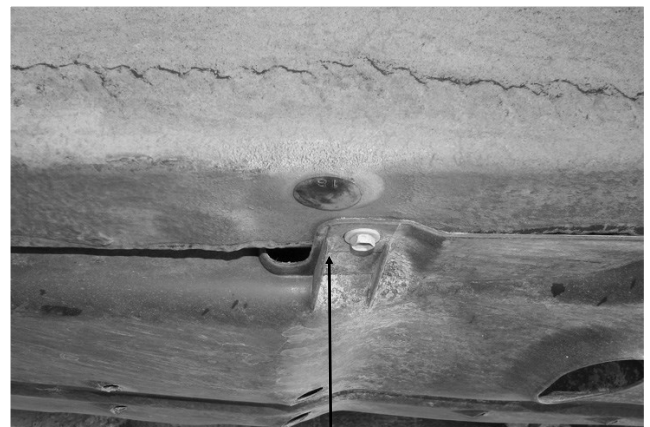
- (1) M10X1.5-35mm Hex Bolt
- (1) M10 Lock Washer
- (1) M10 Large Flat Washer



(Fig 9) Driver Side Front Mounting Bracket Installation
(2015-On Models)

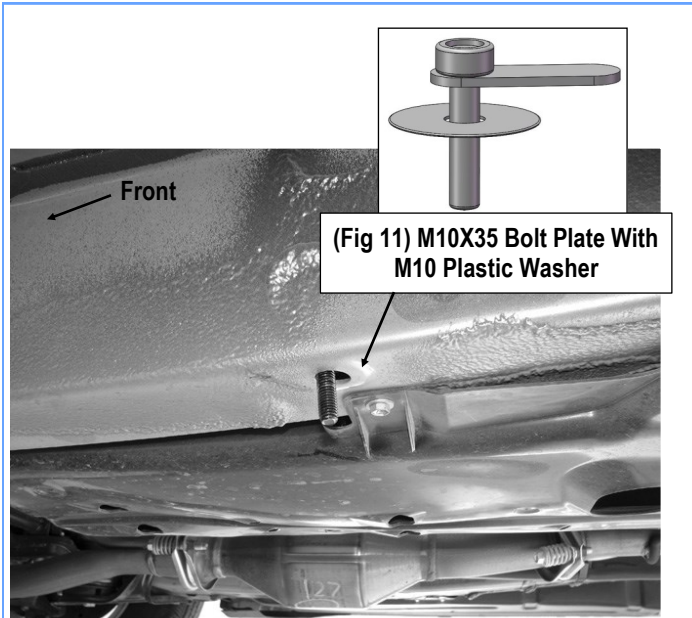
STEP 4

Next, remove the plastic plug from the bottom of the frame channel, (Fig 10). Select (1) M10X35 Bolt Plate and (1) M10 Plastic Washer, (Fig 11). Partially thread the M10 Plastic Washer onto the M10X35 Bolt Plate. Insert the M10X35 Bolt Plate into the hole in the bottom of the frame channel, (Fig 12). Thread the Plastic Washer down tight against the sheet metal to hold the Bolt Plate in place.



(Fig 10) Remove Plastic Plug On Bottom Of Frame Channel

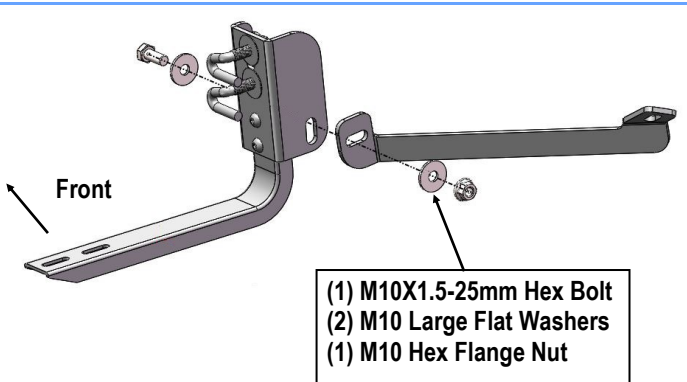
iBoard®



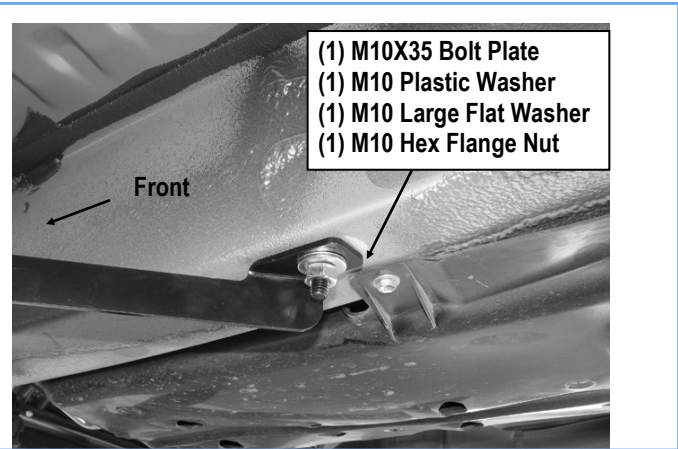
(Fig 12) Insert Bolt Plate With Plastic Washer Into Hole In Bottom Of Frame Channel

STEP 5

Select the Driver Front Support Bracket (DFS). Secure the Bracket to the back of the Driver Front Mounting Bracket with (1) M10X1.5-25mm Hex Bolt, (2) M10 Large Flat Washers and (1) M10 Hex Flange Nut, (Fig 13). Attach the inner end of the Support Bracket to the M10X35 Bolt Plate with (1) M10 Large Flat Washer and (1) M10 Hex Flange Nut, (Fig 14). Do not fully tighten hardware at this time.



(Fig 13) Driver Front Support Bracket And Driver Front Mounting Bracket Assembly



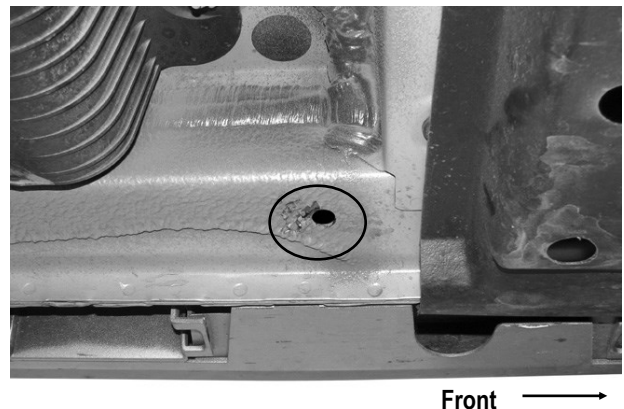
(Fig 14) Driver Front Support Bracket Installation

STEP 6

Move to the center of the vehicle. Locate the factory hole in the bottom of the outer frame channel, (Fig 15). **NOTE:** Hole may be covered with sealant as described in Step 2.

Select (1) M10 J-Bolt and (1) M10 Plastic Washer, (Fig 16). Insert J-Bolt into factory hole and tighten M10 Plastic Washer, (Fig 17). Select the Driver Center Mounting Bracket (DCM/PCM). Attach the Center Bracket to the J-Bolt with (1) M10 Large Flat Washer and (1) M10 Hex Flange Nut, (Fig 19). Do not fully tighten hardware at this time.

IMPORTANT: The Center and Rear Brackets are similar, but different, (Fig 18).

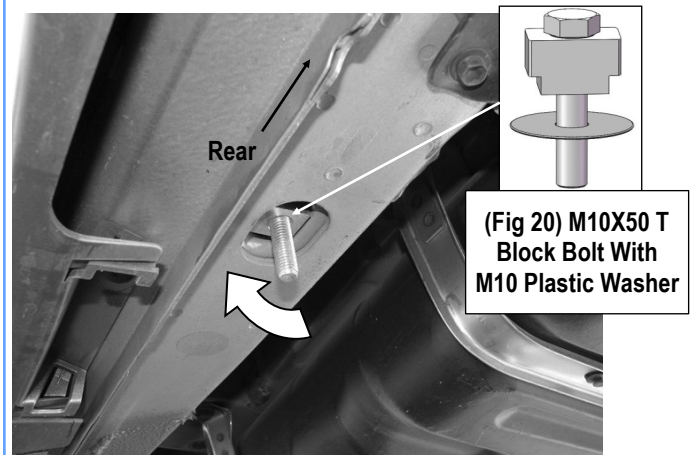


(Fig 15) Remove Sealant To Locate Factory Hole For Center Bracket

iBoard®

STEP 7

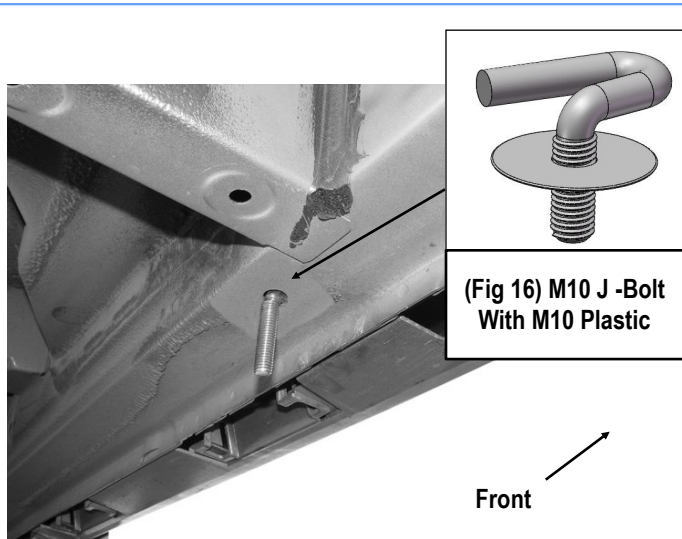
Move to the rear mounting location and locate the large oval hole in the floor panel. Select (1) M10X50 T Block Bolt and (1) M10 Plastic Washer, **(Fig 20)**. Partially thread the M10 Plastic Washer onto the M10X50 T Block Bolt. Insert the M10X50 T Block Bolt into the oval hole in the floor panel and rotate Bolt 90 -degrees so that the Block is across the oval hole, **(Fig 21)**. Thread the Plastic Washer down until it is tight against the floor panel.



(Fig 21) Driver Side Rear Mounting Location Pictured

STEP 8

Select the Driver Rear Mounting Bracket (**DRM/PRM**). Attach the Bracket to the M10X50 T Block Bolt with (1) M10 Large Flat Washer and (1) M10 Hex Flange Nut, **(Fig 22)**. Do not fully tighten hardware at this time.



(Fig 17) Insert M10 J-Bolt With Plastic Washer Into The Hole

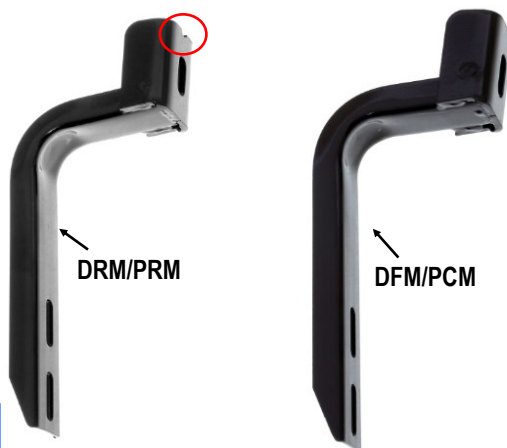
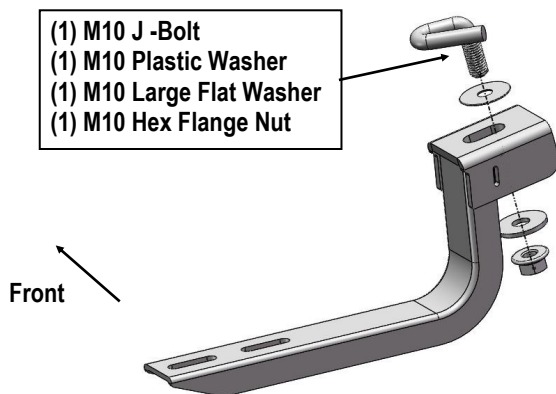
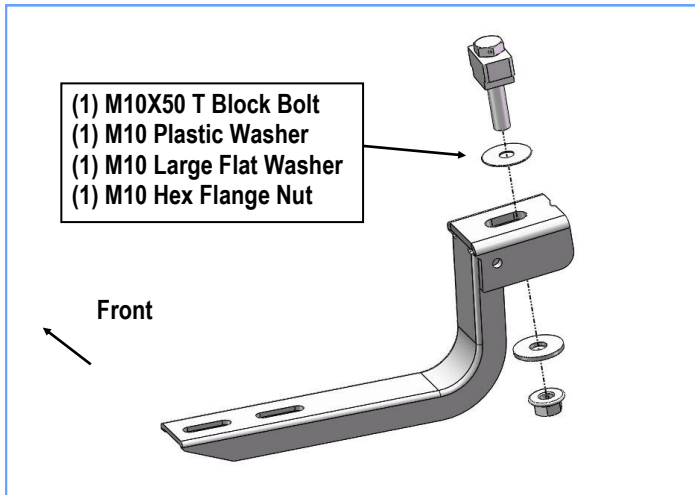


Fig 18



(Fig 19) Driver Center Mounting Bracket Installation

iBoard®



(Fig 22) Driver Rear Mounting Bracket Installation

STEP 9

Once all (3) mounting brackets are installed, then proceed to the Step Bar installation. According to the style of Step Bar proceed to the correct installation STEPS.

Note: Aluminum Step Bar refer to STEP 10; Stainless Steel Step Bar skip to STEP 11.

STEP 10

Aluminum Step Bar Installation:

Select a **Aluminum Step Bar**. Slip (3) M6x1-20mm Square Head Bolts into each bottom channel (Fig 23). Carefully position the Step Bar onto the (3) Mounting Brackets.

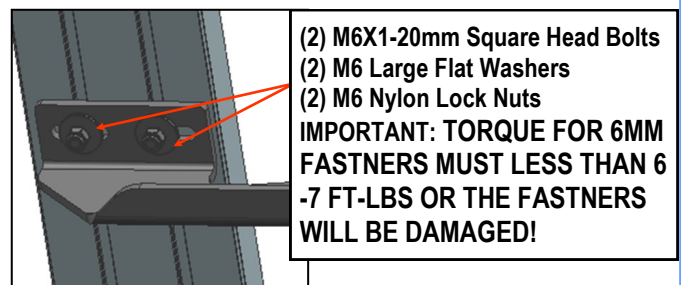
IMPORTANT: Do not slide the Step Bar on the Brackets or the bottom surface of the board will be damaged. Attach the Step Bar to each Mounting Brackets with (2) M6x1-20mm Square Head Bolts, (2) M6 Large Flat Washers and (2) M6 Nylon Lock Nuts, (Fig 24). Do not fully tighten at this time.

Level and adjust the Step Bar and fully tighten all hardware.

Repeat **Steps 1-10** for the other side Step Bar installation.



(Fig 23) Slip M6X1-20mm Square Head Bolts Into The Bottom Channels



(Fig 24) Running Board Installed Onto Mounting Bracket

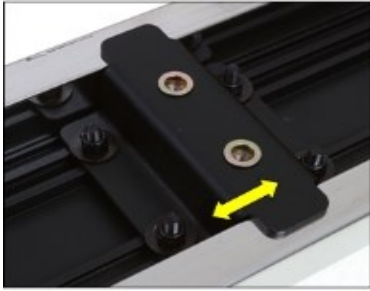
STEP 11

Stainless Steel Step Bar Installation:

Select a **Stainless Steel Step Bar** (with the U-Sliders installed on the Bar). Loose the U-Sliders, reposition the U-Sliders onto the board according to the (3) Installed Mounting Brackets location, (Fig 25). Re-secure the U-Sliders on the Step Bar. Attach the Step Bar to the installed Mounting Brackets with (6) M6X1-20mm Hex Bolts, (6) M6 Large Flat Washers & (6) M6 Lock Washers, (Fig 26). Do not fully tighten hardware at this time.

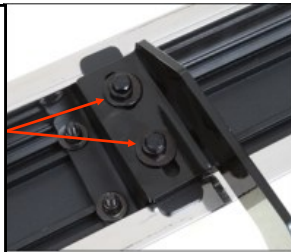
Level and adjust the Step Bar and fully tighten all hardware. Repeat **Steps 1-9 and 11** for the other side Step Bar installation.

iBoard®



(Fig 25) Slide & line up the U-Slider with the installed mounting brackets along bottom channel

- (2) M6X1-20mm Hex Bolts
 - (2) M6 Large Flat Washers
 - (2) M6 Lock Washers
- IMPORTANT: TORQUE FOR 6MM FASTNERS MUST LESS THAN 6-7 FT-LBS OR THE FASTNERS WILL BE DAMAGED!**

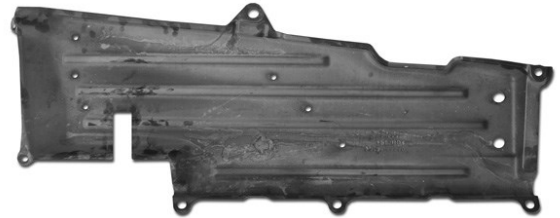


(Fig 26) Step Bar Installed on Bracket Installed (Example)

STEP 12

Level and adjust the Running Board and fully tighten all hardware, except the hardware securing the front Support Bracket.

Once all other hardware has been tightened, temporarily remove the Front Support Bracket. Hold the plastic cover removed in **Step 1**, up in position. Trace the location of the Front Bracket onto the cover. Carefully cut the plastic cover to clear the Bracket, (Fig 27). **IMPORTANT:** Cut as little as possible from the cover. Reinstall the plastic cover with factory hardware. Reinstall the Support Bracket over the plastic cover as described in **Step 5**. Tighten all hardware.



(Fig 27) Cut Cover Only Enough To Clear Bracket. Cut Shown For Example Only

STEP 13

Repeat **Steps 1-13** for other side Running Board installation. The installation is completed.

Note: Follow **2011-14** driver side front bracket installation instructions for passenger side front bracket installation.

Attention

Do periodic inspections to the installation to make sure that all hardware is secure and tight.

In order to protect your bars/boards, please use only mild soap/non-abrasive products for cleaning.