

iBoard®

iBoard® by APS

PART#: IB-358A-B

READ INSTRUCTIONS CAREFULLY BEFORE STARTING INSTALLATION. REMOVE CONTENTS FROM BOX AND VERIFY ALL PARTS ARE PRESENT. ASSISTANCE IS RECOMMENDED.

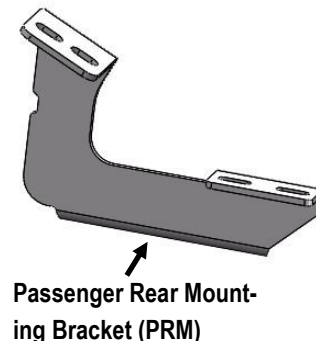
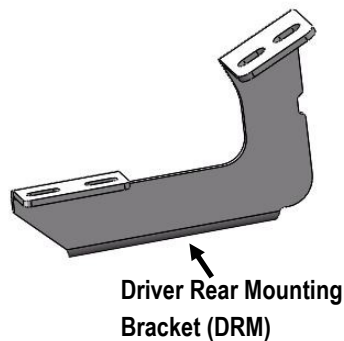
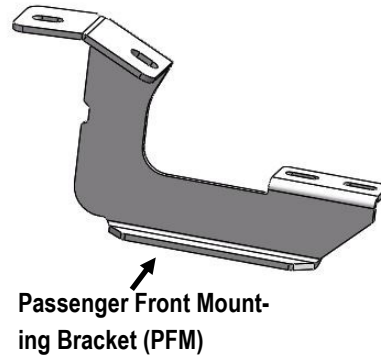
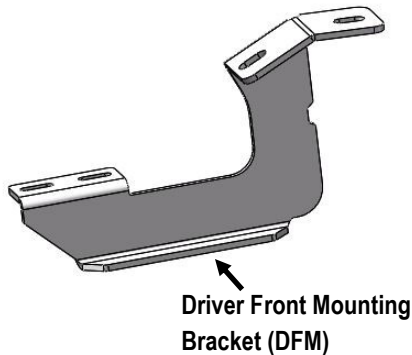
*BODY FRAME MOUNT
*NO DRILLING REQUIRED

Fastener Size	Tightening Torque (ft-lbs)
6mm	6-7
8mm	16-18
10mm	31-32
12mm	56-58
14mm	92-94

PART LIST



Front
↑



Customer Support: info@iboardauto.com

iBoard®



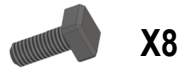
M8X1.25-30mm
Hex Bolt



M8 Large Flat Washer



M8 Lock Washer



M6X1-20mm
Square Head Bolt



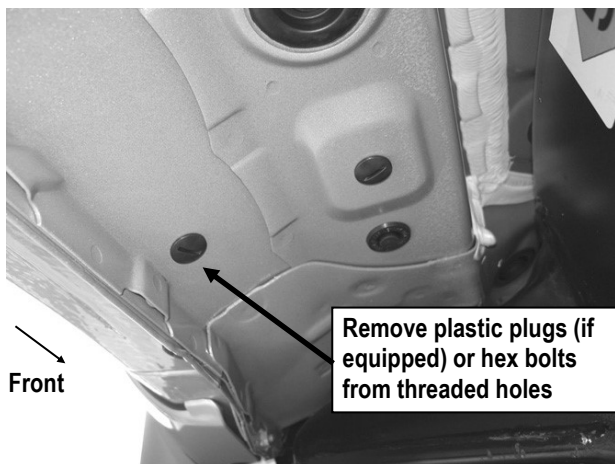
M6 Large Flat Washer



M6X1 Nylon
Lock Nut

STEP 1

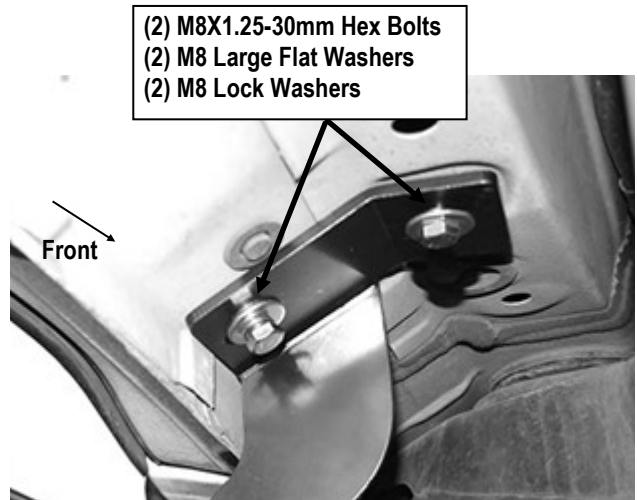
Start installation from the driver side front of the vehicle. Remove the existing (2) factory bolts, (or plastic plugs) (**Fig 1**). This will be the mounting location for the Driver Front Mounting Bracket (**DFM**).



(Fig 1) Driver Side Front Mounting Location Pictured

STEP 2

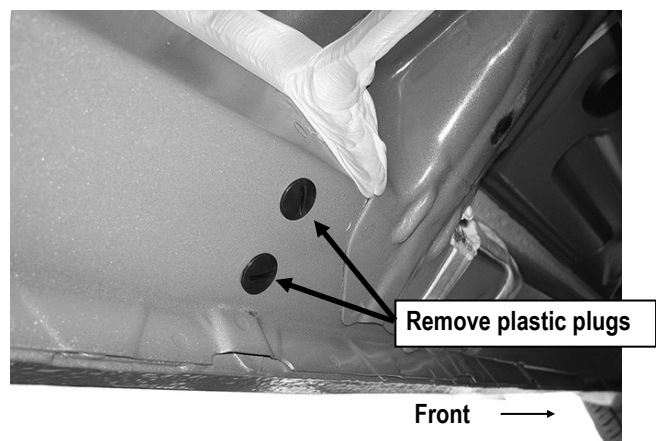
Select the Driver Front Mounting Bracket (**DFM**). Attach to the vehicle with (2) M8x1.25-30mm Hex Bolts, (2) M8 Lock Washers and (2) M8 Large Flat Washers, (**Fig 2**). Do not fully tighten hardware at this time.



(Fig 2) Driver Side Front Mounting Bracket Installation

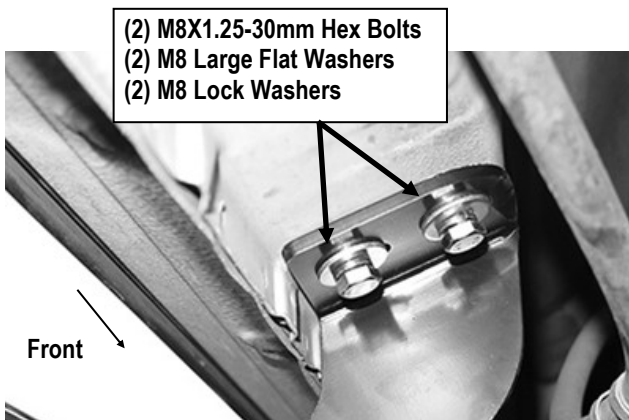
STEP 3

Move to the rear mounting location, (**Fig 3**). Repeat **Steps 1 – 2** for Driver Rear Mounting Bracket (**DRM**), (**Fig 4**). Do not fully tighten hardware at this time.



(Fig 3) Driver Side Rear Mounting Location Pictured

iBoard®



(Fig 4) Driver Side Front Mounting Bracket Installation

STEP 4

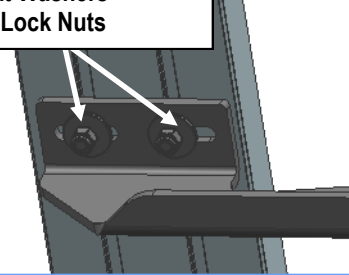
Select a Running Board. Slip (2) M6X1-20mm Square Head Bolts into each bottom channel (Fig 5). Carefully position the Running Board onto the (2) Mounting Brackets.

IMPORTANT: Do not slide the Running Board on the Brackets or the bottom surface of the board will be damaged. Attach the Running Board to each Mounting Bracket with (2) M6x1-20mm Square Head Bolts, (2) M6 Large Flat Washers and (2) M6 X1 Nylon Lock Nuts (Fig 6). Do not fully tighten at this time.



(Fig 5) Slip M6X1-20mm Square Head Bolts Into The Bottom Channels

(2) M6X1-20mm Square Head Bolts
(2) M6 Large Flat Washers
(2) M6X1 Nylon Lock Nuts



(Fig 6) Running Board Installed Onto the Mounting Bracket

STEP 5

Level and adjust the Running Board and fully tighten all hardware.

STEP 6

Repeat **Steps 1-5** for other side Running Board installation. The installation is completed (Fig 7).



(Fig 7) Installation Completed

Attention

Do periodic inspections to the installation to make sure that all hardware is secure and tight.

In order to protect your bars/boards, please use only mild soap/non-abrasive products for cleaning.