



Scan for  
Installation Video

## iBoard® by APS

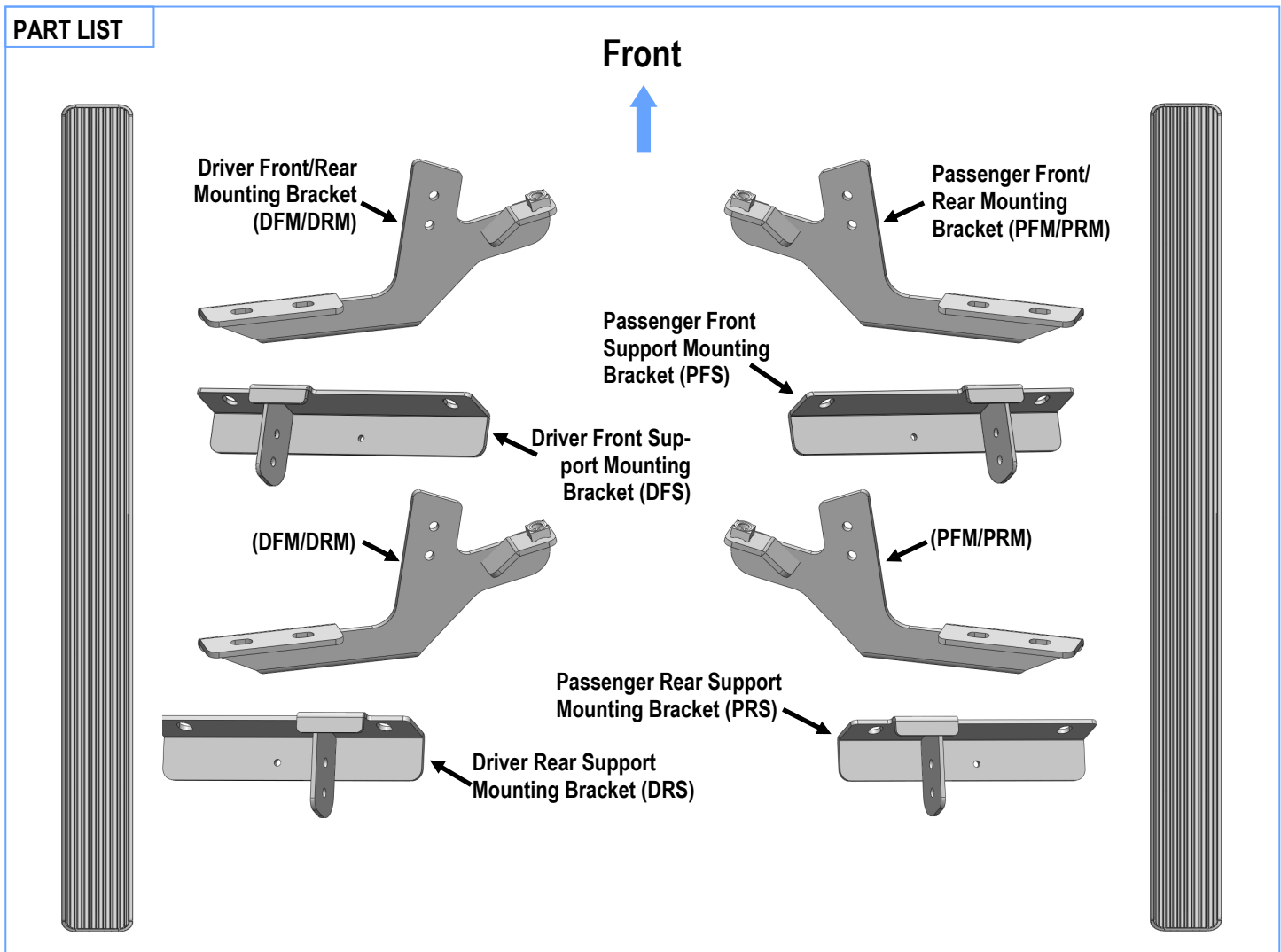
PART#: IB-329 C&H

READ INSTRUCTIONS CAREFULLY BEFORE STARTING INSTALLATION. REMOVE CONTENTS FROM BOX AND VERIFY ALL PARTS ARE PRESENT. ASSISTANCE IS RECOMMENDED.

\*ROCKER PANEL MOUNT  
\*NO DRILLING REQUIRED

Fastener Size	Tightening Torque (ft-lbs)	Required
6mm	6-7	X
8mm	16-18	√
10mm	31-32	√
12mm	56-58	X
14mm	92-94	X

### PART LIST





Scan for  
Installation Video

## Hardware Package A (For Bracket Installation)

Item	QTY	Description	Item	QTY	Description
1#	4	Backing plates	5#	12	M10 Lock Washers
2#	8	M10X35 Bolt Plates	6#	12	M10 Hex Nuts
3#	4	M10X1.5-50mm Hex Bolts	7#	8	M8X1.25-20mm Hex Flange Bolts
4#	12	M10 Large Flat Washers	8#	8	M8 Hex Flange Nuts

1 #      2 #      3 #      4 #      5 #      6 #      7 #      8 #

## Hardware Package B (For Stainless Steel Step Bar Installation)

Item	QTY	Description	Item	QTY	Description
1#	8	M8X1.25-35mm Carriage Bolts	3#	8	M8 Nylon Lock Nuts
2#	8	M8 Large Flat Washers	4#	8	Sliders (Packed with Step Bars)

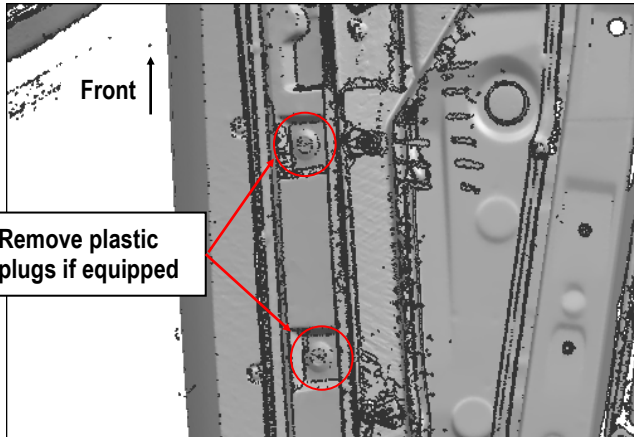
  

1 #      2 #      3 #      4 #



## STEP 1

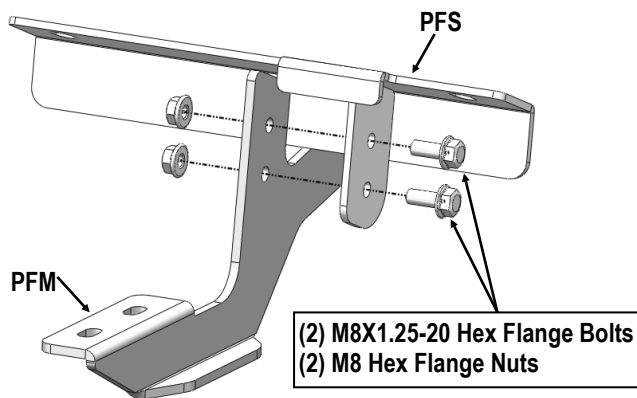
Start installation front the passenger side front of the vehicle. Locate the threaded holes in the body panel, remove the plastic plugs if equipped. **(Fig 1)**.



**(Fig 1)** Passenger Side Front Mounting Location

## STEP 2

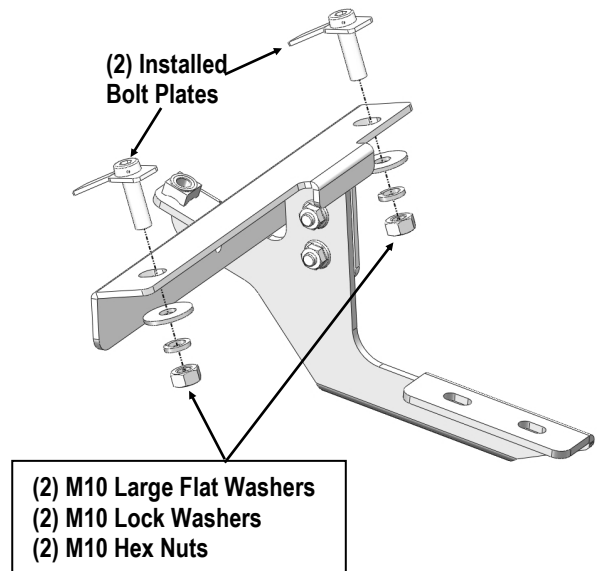
Assemble Passenger Front Mounting Bracket (PFM) and Passenger Front Support Bracket (PFS) with (2) M8X1.25-20mm Hex Flange Bolts, (2) M8 Hex Flange Nuts. Do not fully tighten at this time. **(Fig 2)**



**(Fig 2)** Passenger Front Mounting Brackets Assembly

## STEP 3

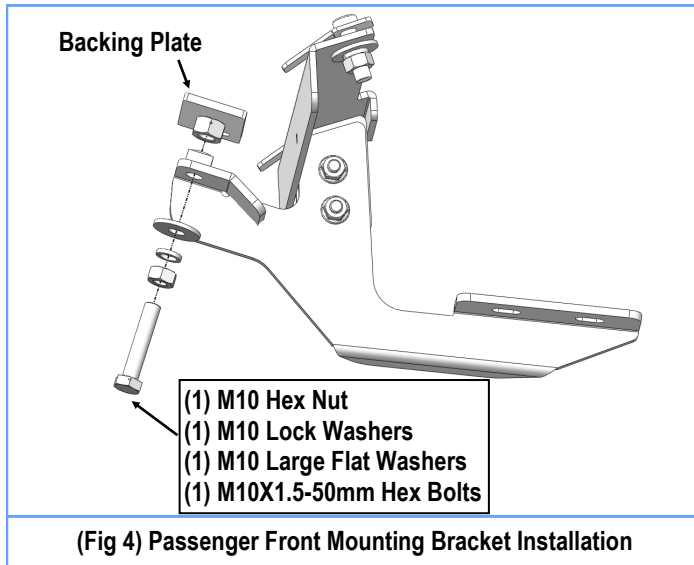
Select (2) M10X35 Bolt Plates, insert the Bolt Plates into the front mounting location. Attach the assembled Passenger Front Mounting Brackets to the Installed bolt plates with (2) M10 Large Flat Washers, (2) M10 Lock Washers and (2) M10 Hex Nuts, Do not fully tighten at this time. **(Fig 3)**.



**(Fig 3)** Passenger Front Support Bracket Installation

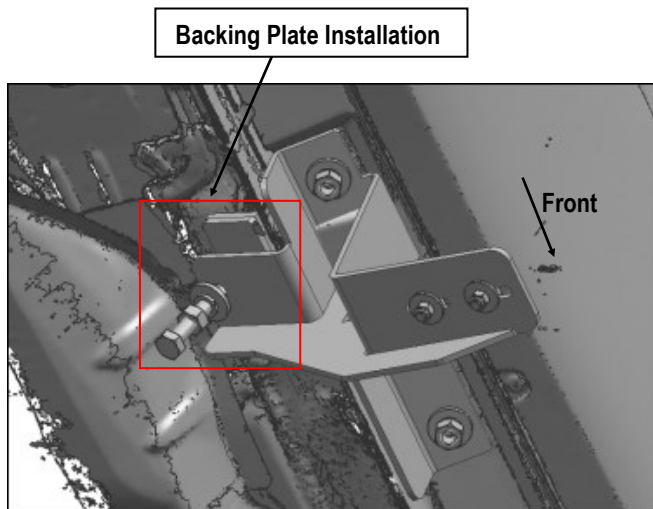
## STEP 4

Select (1) Backing Plate, (1) M10X1.5 Hex Nut, (1) M10 Lock Washer and (1) M10X1.5-50mm Hex Bolt. Thread the M10X1.5 Hex Nut and M10 Lock Washer all the way down the long Hex Bolt. Screw the Hex Bolt and Nut a few threads into and through the Nut welded onto the back tab on the Passenger Front Mounting Bracket. Insert the Backing Plate with the welded socket facing down, into the space between the Driver Front Bar Bracket and the floor panel behind the pinch weld, **(Fig 4)**. Tighten the Hex Bolt into the socket on the Backing Plate until the Plate is close to but not touching the floor panel. Do not tighten hardware at this time.



## STEP 5

Repeat **Steps 1-4** to attach Passenger Rear Mounting Bracket and Support Bracket. Do not tighten hardware at this time. (Fig 5).



## STEP 6

Once all (2) Passenger side mounting brackets are assembled, then proceed to the Step Bar installation. (Figs 6 & 7)

- (1) Select (1) Slider and (2) M8X1.25-35mm Carriage Bolts;
- (2) Install (2) M8X1.25-35mm Carriage Bolts in (1) Slider.
- (3) Slide the Slider (with carriage bolts) to the **Step Bar**.
- (4) Repeat to install the other (1) slider to the step bar.
- (5) Attach the Step Bar (with the Sliders) onto the installed mounting brackets. Position the Sliders to the installed brackets. Secure the Step Bar to the installed Brackets by using (4) M8 Large Flat Washers and (4) M8 Nylon Lock Nuts and (2) Sliders, (Fig 7). Do not fully tighten hardware at this time.

**Note:** The Sliders are packed with the Step Bars.

Level and adjust the Step Bar and fully tighten all hardware.

Repeat **Steps 1-6** for the other side Step Bar installation. **The installation is completed!!!**

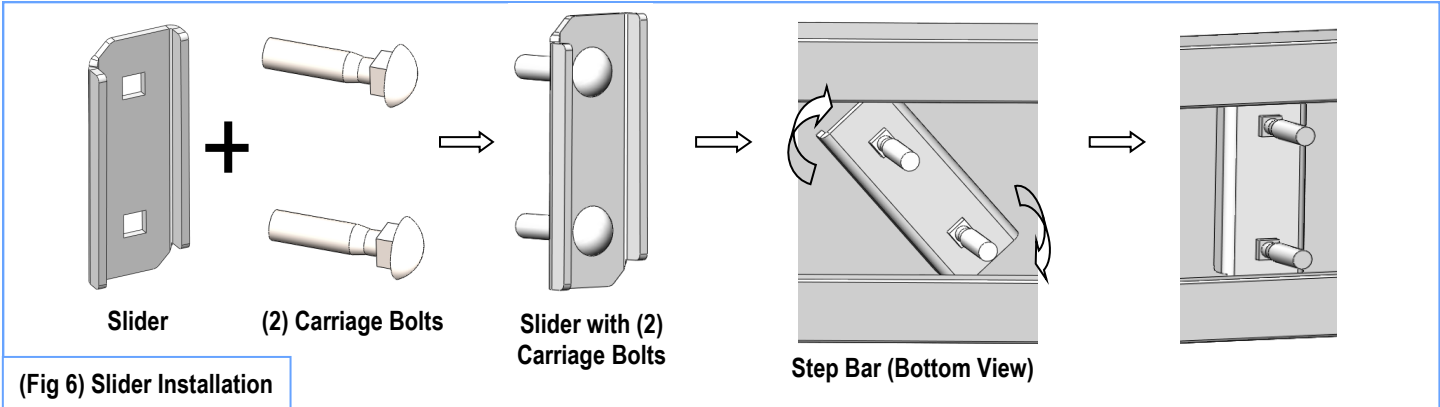
### Attention

Do periodic inspections to the installation to make sure that all hardware is secure and tight.

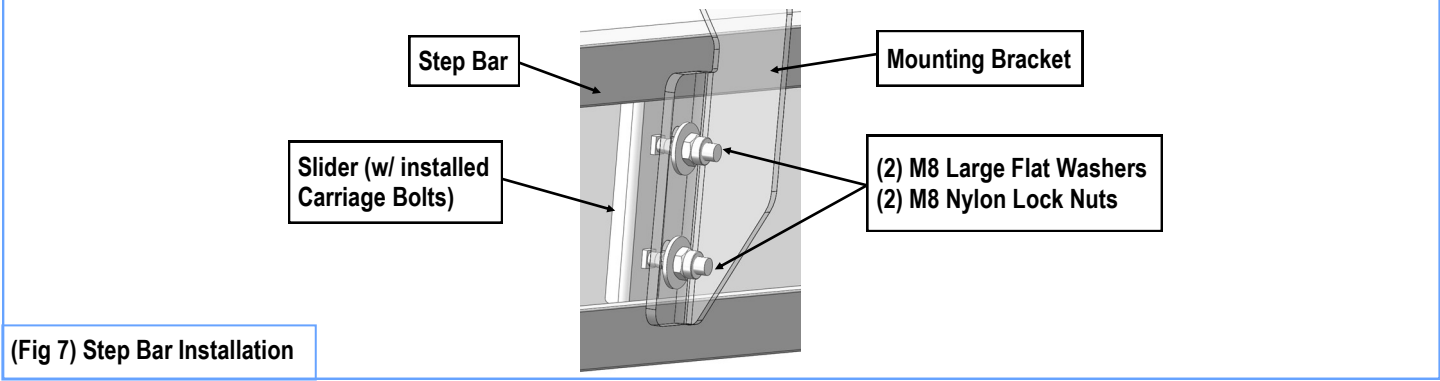
In order to protect your bars/boards, please use mild soap/non-abrasive products for cleaning only.



Scan for  
Installation Video



(Fig 6) Slider Installation



(Fig 7) Step Bar Installation