



## iBoard® by APS

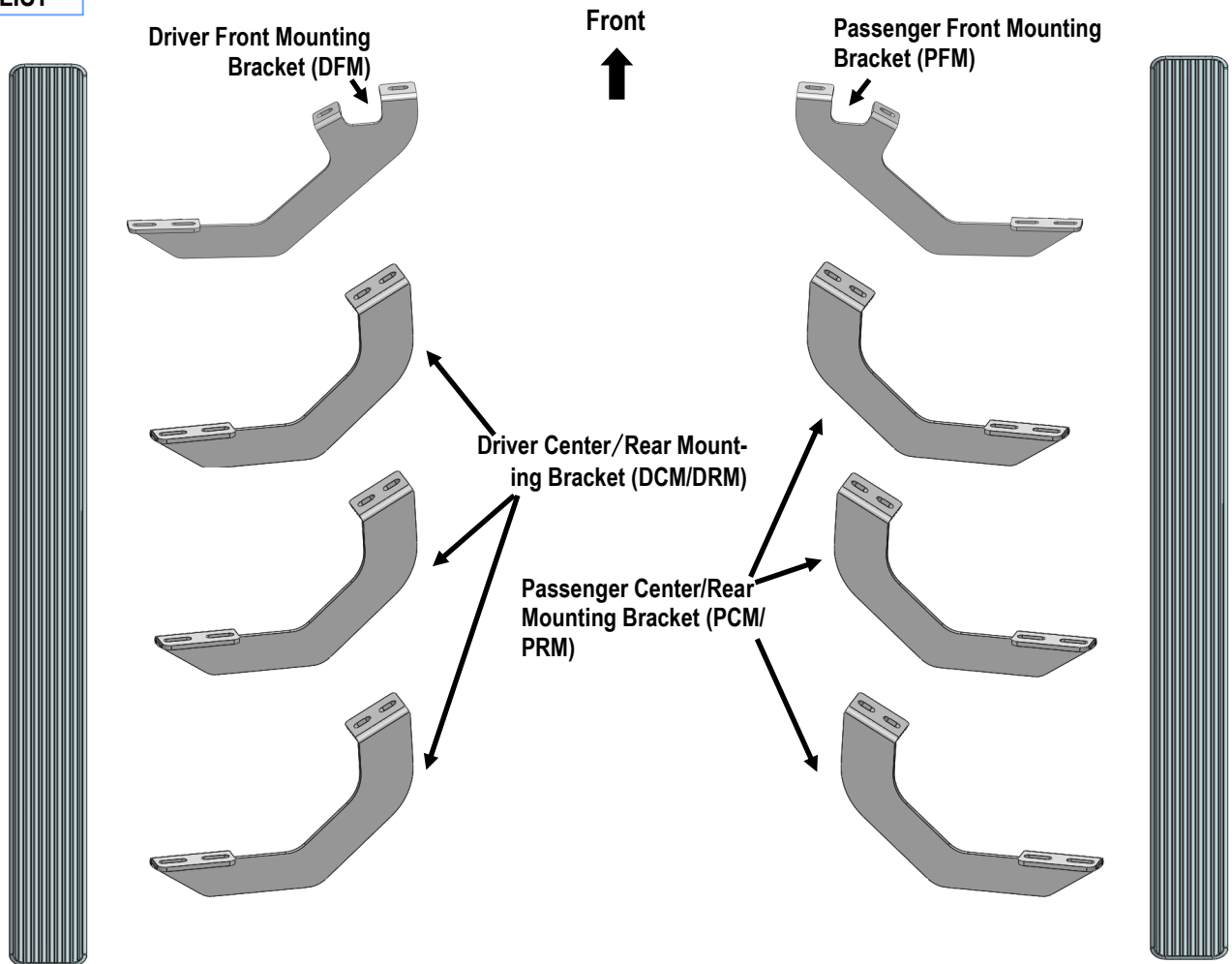
PART#: IB-297/298

READ INSTRUCTIONS CAREFULLY BEFORE STARTING INSTALLATION. REMOVE CONTENTS FROM BOX AND VERIFY ALL PARTS ARE PRESENT. ASSISTANCE IS RECOMMENDED.

\*ROCKER PANEL MOUNT  
\*NO DRILLING OR CUTTING REQUIRED

Fastener Size	Tightening Torque (ft-lbs)	Required
6mm	6-7	√
8mm	16-18	√
10mm	31-32	X
12mm	56-58	X
14mm	92-94	X

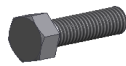
### PART LIST





### Hardware Package A (For Bucket Installation)

Item	QTY	Description	Item	QTY	Description
1#	16	M8X1.25-30mm Hex Bolts	3#	16	M8 Lock Washers
2#	16	M8 Large Flat Washers			



1#



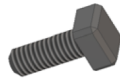
2#



3#

### Hardware Package B (For Aluminum Step Bar Installation Only, Not Supply to SS. Step Bar)

Item	QTY	Description	Item	QTY	Description
1#	16	M6X1-20mm Square Head Bolts	3#	16	M6X1 Nylon Lock Nuts
2#	16	M6 Large Flat Washers			



1 #



2 #



3#

### Hardware Package C (For Stainless Steel Step Bar Installation Only, Not Supply to Aluminum Step Bar)

Item	QTY	Description	Item	QTY	Description
1#	16	M6X1-20mm Hex Bolts	3#	16	M6 Flat Washers
2#	16	M6 Lock Washers			



1 #



2 #

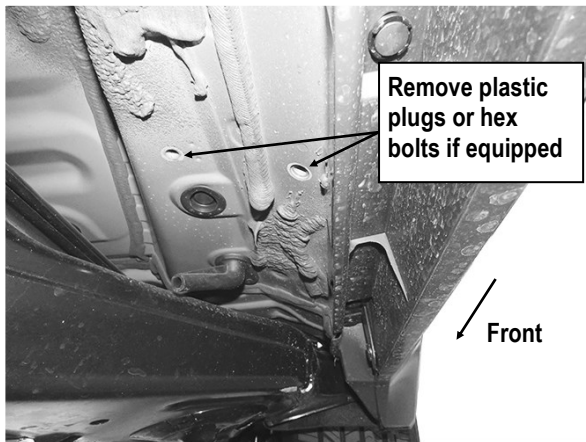


3 #



## STEP 1

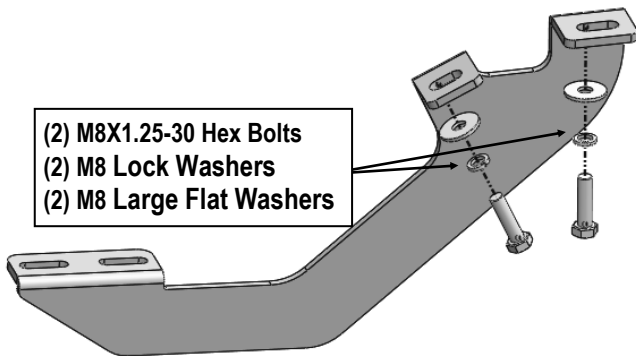
Start installing on the passenger side front of the vehicle. Remove the plastic plugs or hex bolts from the mounting location if equipped, (Fig 1).



(Fig 1) Passenger Side Front Mounting Location

## STEP 2

Select the Passenger Front Mounting Bracket (PFM). Attach the Bracket to the mounting location with (2) M8X1.25-30 Hex Bolts, (2) M8 Lock Washers and (2) M8 Large Flat Washers, (Figs 2&3). Do not fully tighten at this time.



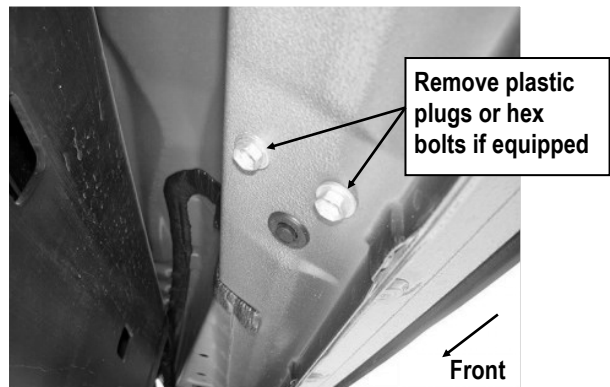
(Fig 2) Passenger Front Mounting Bracket Installation



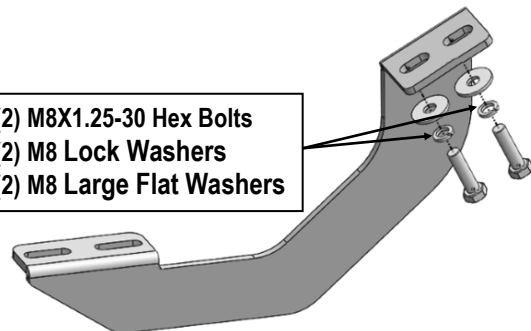
(Fig 3) Passenger Front Mounting Bracket Installed

## STEP 3

Repeat Steps 1-2 to attach the (3) Passenger Center / Rear Mounting Brackets (PCM/PRM) to the mounting locations, (Fig 4&5). Do not fully tighten at this time.



(Fig 4) Passenger Side Center/ Rear Mounting Location



(Fig 5) Passenger Center/Rear Mounting Bracket Installation



## STEP 4

Once all (4) mounting brackets are installed, then proceed to the Step Bar installation. According to the style of Step Bar proceed to the correct installation STEPS.

**Note:** Aluminum Step Bar refer to STEP 5; Stainless Steel Step Bar skip to STEP 6.

## STEP 5

### Aluminum Step Bar Installation:

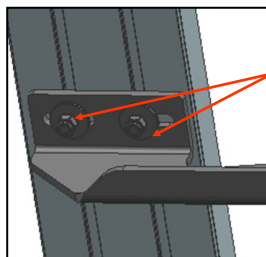
Select a **Aluminum Step Bar**. Slide (4) M6X1-20mm Square Head Bolts into each bottom channel (Fig 6). Carefully position the Step Bar onto the (4) Mounting Brackets.

**IMPORTANT:** Do not slide the Step Bar on the Brackets or the bottom surface of the board will be damaged. Attach the Step Bar to each Mounting Brackets with (2) M6X1-20mm Square Head Bolts, (2) M6 Large Flat Washers and (2) M6X1 Nylon Lock Nuts, (Fig 7). Do not fully tighten at this time.

Level and adjust the Step Bar and fully tighten all hardware. Repeat **Steps 1-5** for the other side Step Bar installation. **The installation is completed!!!**



(Fig 6) Slide M6X1-20mm Square Head Bolts Into The Bottom Channels



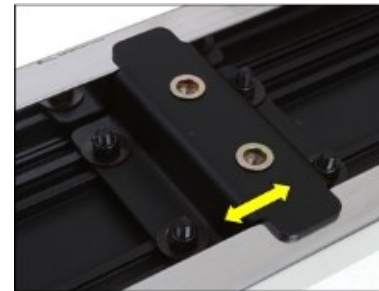
(2) M6X1-20mm Square Head Bolts  
(2) M6 Large Flat Washers  
(2) M6X1 Nylon Lock Nuts  
**IMPORTANT: TORQUE FOR 6MM FASTNERS MUST LESS THAN 6-7 FT-LBS OR THE FASTNERS WILL BE DAMAGED!**

(Fig 7) Running Board Installed Onto Mounting Bracket

## STEP 6

### Stainless Steel Step Bar Installation:

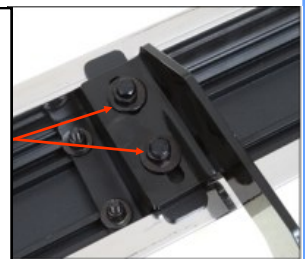
Select a **Stainless Steel Step Bar** (with the U-Sliders installed on the Bar). Loose the U-Sliders, reposition the U-Sliders onto the board according to the (4) Installed Mounting Brackets location, (Fig 8). Re-secure the U-Sliders on the Step Bar. Attach the Step Bar to the installed Mounting Brackets with (8) M6X1-20mm Hex Bolts, (8) M6 Large Flat Washers & (8) M6 Lock Washers, (Fig 9). Do not fully tighten hardware at this time. Level and adjust the Step Bar and fully tighten all hardware. Repeat **Steps 1-4 and 6** for the other side Step Bar installation. **The installation is completed!!!**



(Fig 8) Slide & line up the U-Slider with the installed mounting brackets along bottom channel

(2) M6X1-20mm Hex Bolts  
(2) M6 Large Flat Washers  
(2) M6 Lock Washers

**IMPORTANT: TORQUE FOR 6MM FASTNERS MUST LESS THAN 6-7 FT-LBS OR THE FASTNERS WILL BE DAMAGED!**



(Fig 9) Step Bar Installed on Bracket Installed (Example)

### Attention

Do periodic inspections to the installation to make sure that all hardware is secure and tight.

In order to protect your bars/boards, please use mild soap/non-abrasive products for cleaning only.