

iBoard®

iBoard® by APS

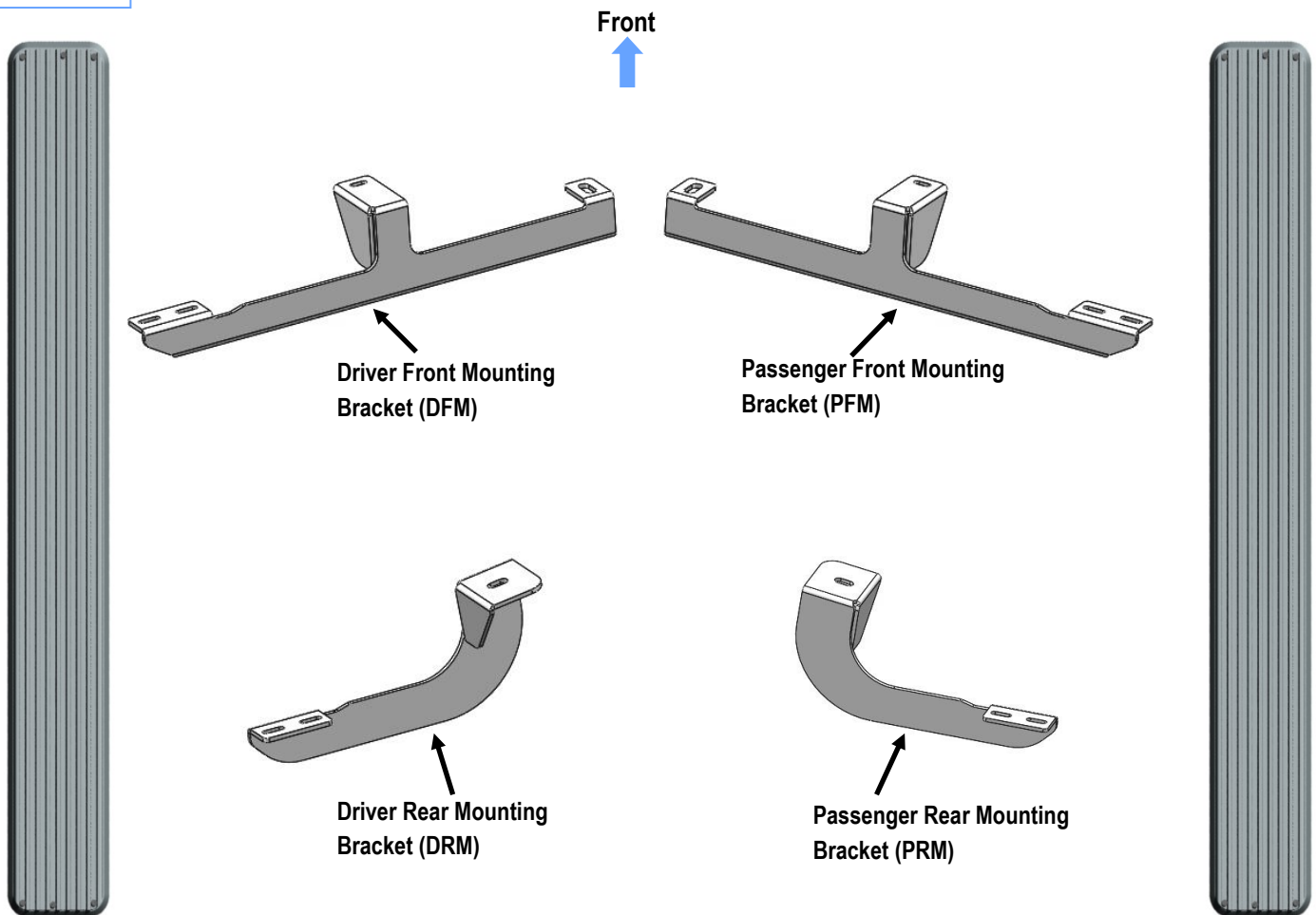
PART#: IB-229A-B

READ INSTRUCTIONS CAREFULLY BEFORE STARTING INSTALLATION. REMOVE CONTENTS FROM BOX AND VERIFY ALL PARTS ARE PRESENT. ASSISTANCE IS RECOMMENDED.

*ROCKER PANEL MOUNT
*NO DRILLING REQUIRED / CUTTING IS REQUIRED

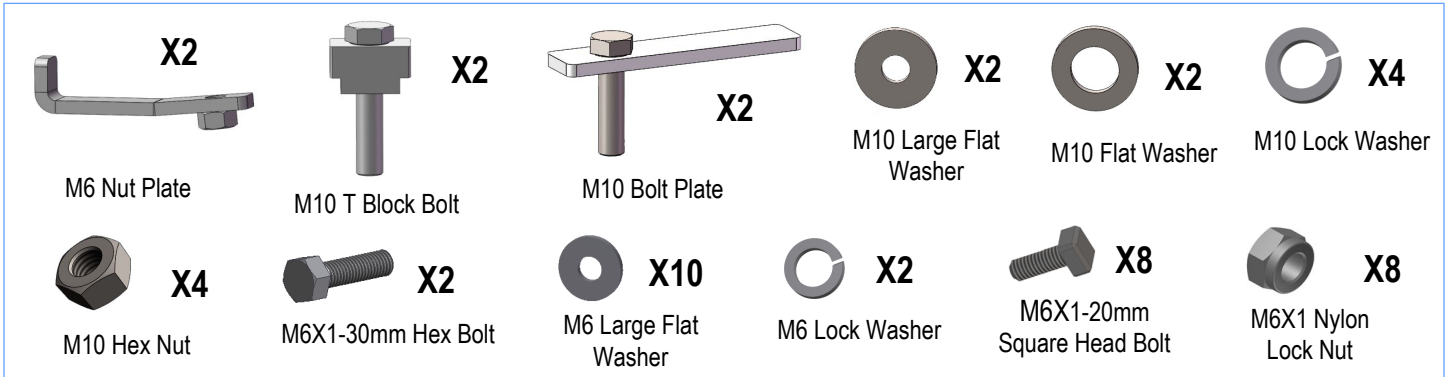
Fastener Size	Tightening Torque (ft-lbs)
6mm	6-7
8mm	16-18
10mm	31-32
12mm	56-58
14mm	92-94

PART LIST



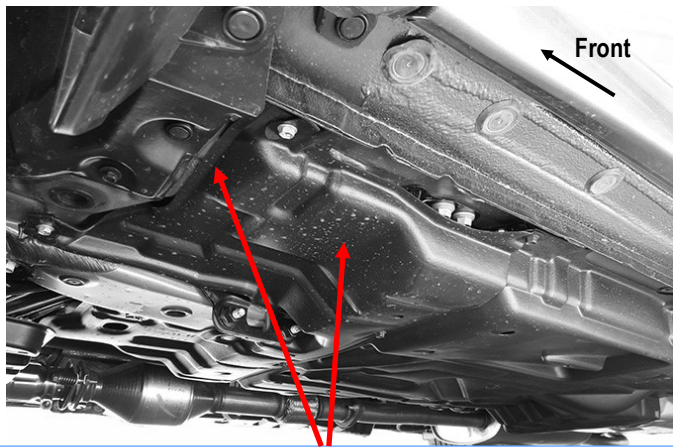
Customer Support: info@iboardauto.com

iBoard®

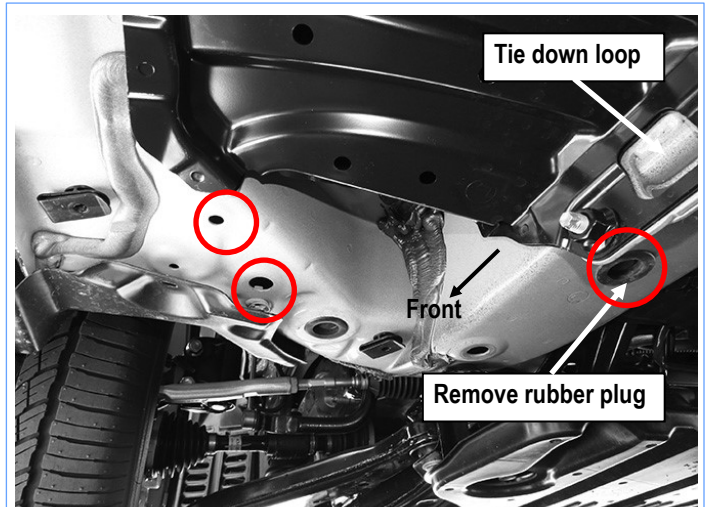


STEP 1

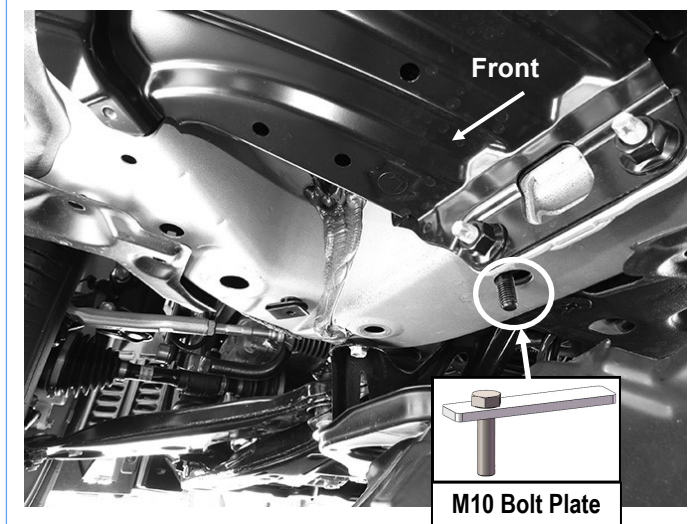
Start installation from the driver side of the vehicle. Remove the front and middle section of the plastic splash guard, (**Fig 1**). Place the splash guard on a clean, stable work surface.



(Fig 1) Temporarily Remove The Driver Side Front And Middle Plastic Covers



(Fig 2) Driver Side Mounting Location



(Fig 3) M10 Bolt Plate Installed

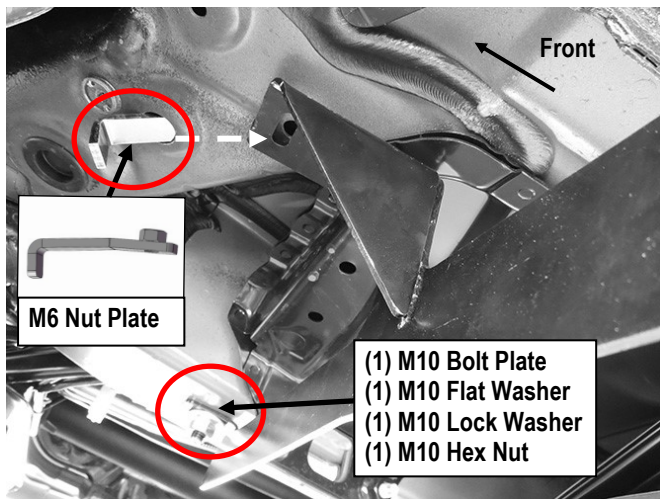
STEP 2

Move to the driver side front mounting location (**Fig 2**). Remove the rubber plug from the hole closest to the tie down loop. Insert (1) M10 Bolt Plate into the factory hole, (**Fig 3**).

iBoard®

STEP 3

Next, select the Driver Front Mounting Bracket (**DFM**). Attach the Bracket to the installed M10 Bolt Plate with (1) M10 Flat Washer, (1) M10 Lock Washer and (1) M10 Hex Nut, (**Fig 4**). Do not fully tighten hardware at this time.

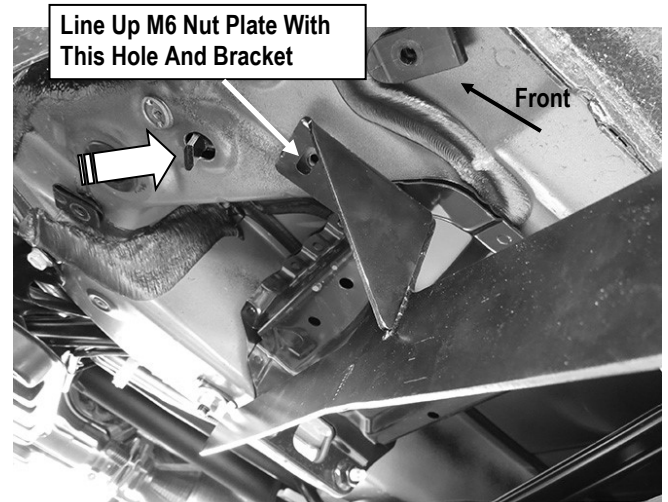


(Fig 4) Driver Front Mounting Bracket (DFM) Installation

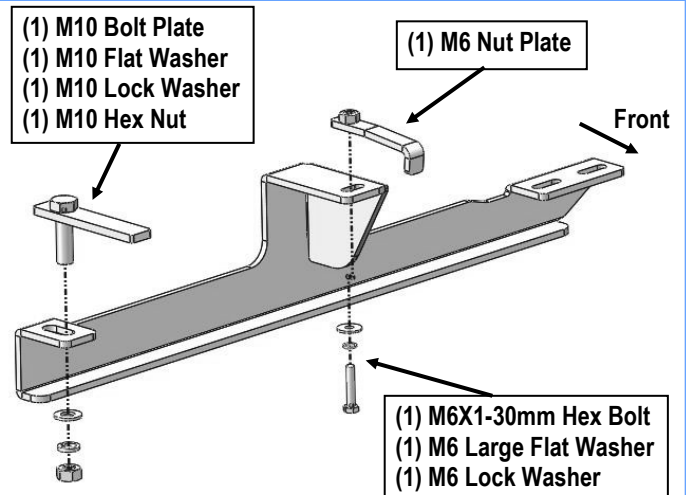
STEP 4

Line up the mounting tab on the Bracket with the factory hole on the cross member joins the frame rail, (**Figs 2 & 4**). Insert (1) M6 Nut Plate into the larger inner hole and line up the welded nut on M6 Nut Plate with the hole toward the outside under the mounting tab on the Bracket, (**Figs 4 & 5**).

Attach the Driver Front Mounting Bracket (**DFM**) to the M6 Nut Plate with (1) M6X1-30mm Hex Bolt, (1) M6 Lock Washer and (1) M6 Large Flat Washer, (**Fig 6**). Do not fully tighten hardware at this time.



(Fig 5) Insert Nut Plate Into Factory Hole



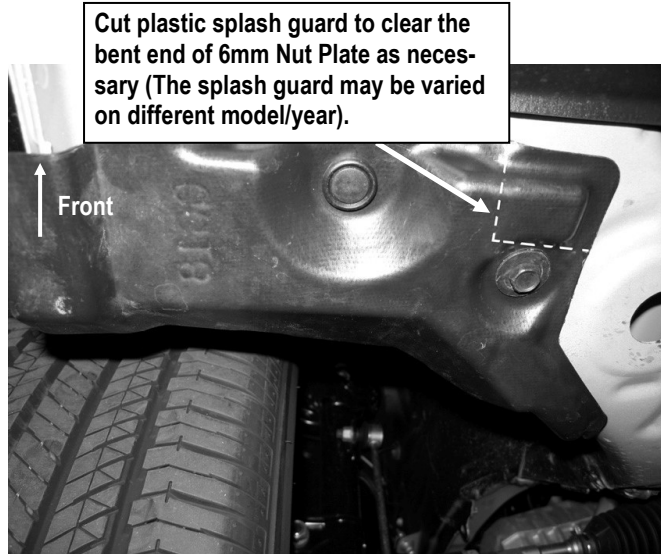
(Fig 6) Driver Front Mounting Bracket (DFM) Installation

STEP 5

Mark the outline of the location of the Driver Front Mounting Bracket (**DFM**) onto the bottom of the vehicle for reference if necessary. Temporarily remove the Driver Front Mounting Bracket. Hold the plastic covers up in approximate location against the vehicle. Trace the location of the Bracket onto the plastic cover. Use a hack saw or utility knife to cut out an opening 2" x 3-1/2" on the middle splash guard as pictured, (**Fig 8**). Cut a 1-1/2" x 1-1/2" opening in the front cover, (**Fig 7**).

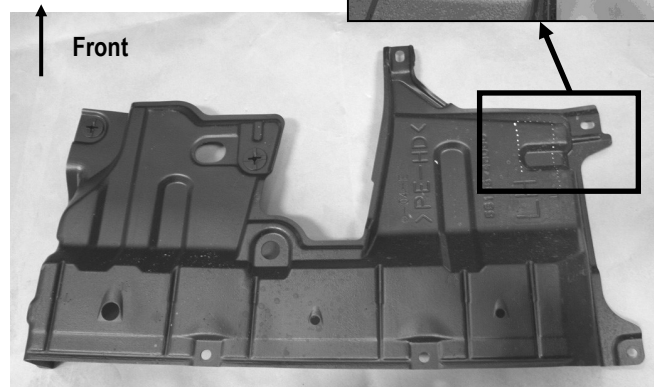
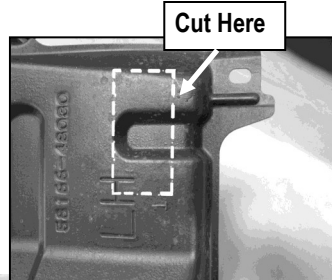
iBoard®

IMPORTANT: The trimming area on the plastic splash guard will be varied on different model/years. Suggest hold up the brackets in position to verify the trimming area before cutting the splash guards. Try to cut as little as possible on the splash guard. Reinstall the splash guards using the factory fasteners.



(Fig 7) Driver Side Front Plastic Splash Guard Trimming

Cut to clear mounting tab on front Bracket as necessary (The splash guard may be varied on different model/year). Remove front Bracket to reinstall the plastic covers.



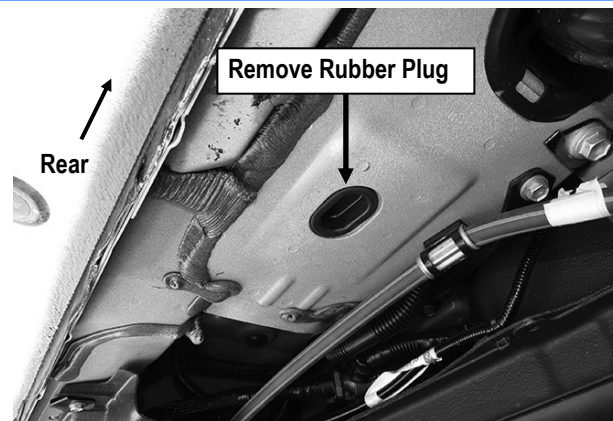
(Fig 8) Driver Side Middle Plastic Splash Guard Trimming

STEP 6

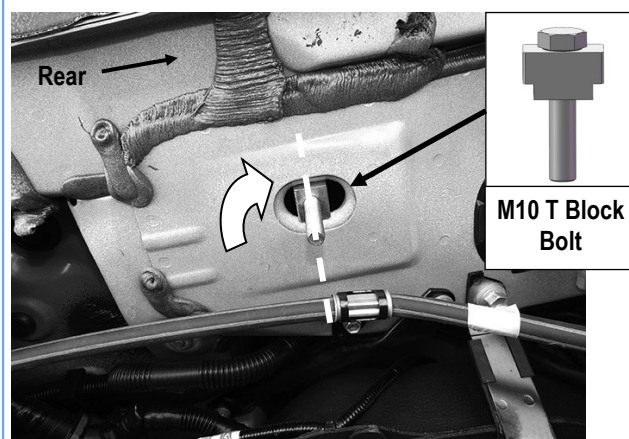
Reinstall the front Bracket as described in **Steps 2—5**. Do not fully tighten hardware at this time.

STEP 7

Next, move to the driver side rear mounting location (**Fig 9**). Remove the rubber grommet located in the rear floor panel. Insert (1) M10 T Block Bolt into the factory hole, (**Fig 10**). **NOTE:** Insert M10 T Block Bolt into the hole. Rotate the T Block Bolt to 90-degrees to across the oval hole, (**Fig 10**).



(Fig 9) Driver Side Rear Mounting Location

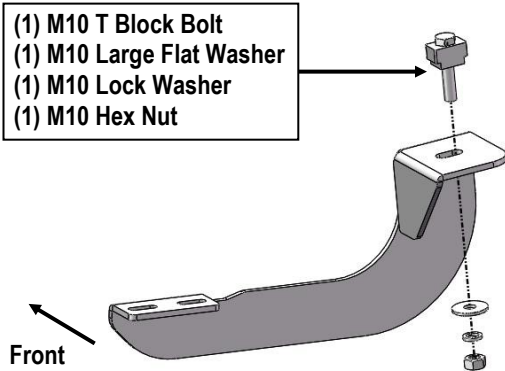


(Fig 10) M10 T Block Bolt Installed

iBoard®

STEP 8

Select the Driver Rear Mounting Bracket (**DRM**). Attach the rear Bracket to the installed M10 T Block Bolt with the (1) M10 Large Flat Washer, (1) M10 Lock Washer and (1) M10 Hex Nut, (**Fig 11**). Do not fully tighten hardware at this time.



(Fig 11) Driver Rear Mounting Bracket (DRM) Installation

STEP 9

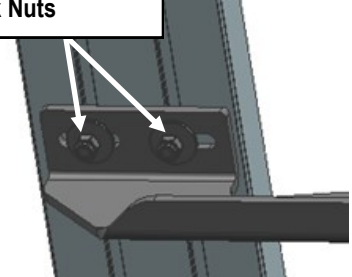
Select a Running Board. Slip (2) M6X1-20mm Square Head Bolts into each bottom channel (**Fig 12**). Carefully position the Running Board onto the (2) Mounting Brackets.

IMPORTANT: Do not slide the Running Board on the Brackets or the bottom surface of the board will be damaged. Attach the Running Board to each Mounting Brackets with (2) M6x1-20mm Square Head Bolts, (2) M6 Large Flat Washers and (2) M6 X1 Nylon Lock Nuts (**Fig 13**). Do not fully tighten at this time.



(Fig 12) Slip M6X1-20mm Square Head Bolts Into The Bottom Channels

- (2) M6X1-20mm Square Head Bolts
- (2) M6 Large Flat Washers
- (2) M6X1 Nylon Lock Nuts



(Fig 13) Running Board Installed Onto Mounting Bracket

STEP 10

Level and adjust the Running Board and fully tighten all hardware.

STEP 11

Repeat **Steps 1-10** for the other side Running Board installation. The installation is completed (**Fig 14**).



(Fig 14) Installation Completed

Attention

Do periodic inspections to the installation to make sure that all hardware is secure and tight.

In order to protect your bars/boards, please use only mild soap/non-abrasive products for cleaning.